

Component-Level Information Packages

This manual contains a set of component-level information packages (CLIPs) that correspond to each board assembly in the HP 70310A precision frequency reference with field-replaceable parts.

Each CLIP package contains component-level repair information that includes parts lists, component-location drawings, and schematics.

Each board assembly and each CLIP packet are assigned a separate HP part number. When a board assembly is updated by Hewlett-Packard, a new CLIP packet is created for the new board assembly, and both the new board assembly and its CLIP packet are also assigned new HP part numbers.

Because there may be multiple versions of the same board assembly, refer to Table 1-1 before replacing any of the assemblies.

Table 1-2, Table 1-3, and Table 1-4 provide a guide to reference designations, abbreviations, and multipliers used in the "Description" column of the parts lists.

Table 1-5 lists manufacturer codes used in the "Mfr Code" column of the parts lists, along with the names of the manufacturers they represent.

Figure 1-1 and Figure 1-2 provide a guide to graphics symbols used on schematic and block diagrams.

Assembly Cross Matrix

Table 1-1.
Board Assemblies, CLIP Packets, and Replacement Assemblies for the
HP 70310A Precision Frequency Reference

Name of Board Assembly	HP Part Number of Assembly	Serial Number of Module	HP Part Number of CLIP Packet for Assembly	HP Part Number of Replacement Assembly ¹
A1 RF	70310-60001 ²	All units shipped.	70310-90062	70310-60001
A2 power supply/processor	70310-60038 ²	2922A00819 and above	70310-90076	70310-60038
	70310-60002 ³	2736A00818 and below	70310-90063	70310-60038
A3 distribution amplifier (B) ⁴	70310-60041 ²	2922A01677 and above	70310-90077	70310-60041
	70310-60003 ³	2922A01676 and below	70310-90064	70310-60041
A4 distribution amplifier (A) ⁴	70310-60040 ²	3127A01701 and above	70310-90078	70310-60040
	70310-60004 ³	2922A01700 and below	70310-90065	70310-60040
A5 front panel	70310-60034 ²	2736A and above	70310-90067	70310-60034
	70310-60005 ³	2622A and below	70310-90066	70310-60034

1 Exchange assemblies may also be available.

2 This is the most current board assembly in production.

3 This board assembly is obsolete. Order the replacement assembly number.

4 This board assembly is present only in the HP 70310A Option 001 precision frequency reference.

Note The A6 oven/oscillator and the A7 external power pack are not documented in this manual. There are no field-replaceable lower-level parts in the A6 oven/oscillator. The only field-replaceable lower-level part in the A7 external power pack is the fuse. Refer to the *HP 70310A Service Guide* for information about replacing the fuse.

Reference Designations

Table 1-2. Reference Designations

REFERENCE DESIGNATIONS		
A	Assembly	F Fuse
AT	Attenuator, Isolator, Limiter, Termination	FL Filter
B	Fan, Motor	HY Circulator
BT	Battery	J Electrical Connector (Stationary Portion), Jack
C	Capacitor	K Relay
CP	Coupler	L Coil, Inductor
CR	Diode, Diode Thyristor, Step Recovery Diode, Varactor	M Meter
DC	Directional Coupler	MP Miscellaneous Mechanical Part
DL	Delay Line	P Electrical Connector (Movable Portion), Plug
DS	Annunciator, Lamp, Light Emitting Diode (LED), Signaling Device (Visible)	Q Silicon Controlled Rectifier (SCR), Transistor, Triode Thyristor
E	Miscellaneous Electrical Part	R Resistor
		RT Thermistor
		S Switch
		T Transformer
		TB Terminal Board
		TC Thermocouple
		TP Test Point
		U Integrated Circuit, Microcircuit
		V Electron Tube
		VR Breakdown Diode (Zener), Voltage Regulator
		W Cable, Wire, Jumper
		X Socket
		Y Crystal Unit (Piezoelectric, Quartz)
		Z Tuned Cavity, Tuned Circuit

Abbreviations

Table 1-3. Abbreviations

ABBREVIATIONS					
A		BSC	Basic	CNDCT	Conducting, Conductive, Conductivity, Conductor
A	Across Flats, Acrylic, Air (Dry Method), Ampere	BTN	Button	CONT	Contact, Continuous, Control, Controller
ADJ	Adjust, Adjustment	C		CONV	Converter
ANSI	American National Standards Institute (formerly USASI-ASA)	C	Capacitance, Capacitor, Center Tapped, Cermet, Cold, Compression	CPRSN	Compression
ASSY	Assembly	CCP	Carbon Composition Plastic	CUP-PT	Cup Point
AWG	American Wire Gage	CD	Cadmium, Card, Cord	CW	Clockwise, Continuous Wave
B		CER	Ceramic	D	
BCD	Binary Coded Decimal	CHAM	Chamfer	D	Deep, Depletion, Depth, Diameter, Direct Current
BD	Board, Bundle	CHAR	Character, Characteristic, Charcoal	DA	Darlington
BE-CU	Beryllium Copper	CMOS	Complementary Metal Oxide Semiconductor	JFET	Junction Field Effect Transistor
BNC	Type of Connector	FT	Current Gain Bandwidth Product (Transition Frequency), Feet, Foot	K	
BRG	Bearing, Boring	FXD	Fixed	K	Kelvin, Key, Kilo, Potassium
BRS	Brass	G		KNRLD	Knurled
DAP-GL	Diallyl Phthalate Glass	GEN	General, Generator	KVDC	Kilovolts Direct Current
DBL	Double	GND	Ground	L	
DCCR	Decoder	GP	General Purpose, Group	LED	Light Emitting Diode
DEG	Degree	H		LG	Length, Long
D-HOLE	D-Shaped Hole	H	Henry, High	LIN	Linear, Linearity
DIA	Diameter	HDW	Hardware	LK	Link, Lock
DIP	Dual In-Line Package				
DIP-SLDR	Dip Solder				
D-MODE	Depletion Mode				
DO	Package Type Designation				
DP	Deep, Depth, Dia- metric Pitch, Dip				
DP3T	Double Pole Three Throw				
DPDT	Double Pole Double Throw				

Table 1-3. Abbreviations (continued)

ABBREVIATIONS					
DWL	Dowell	HEX	Hexadecimal, Hexagon, Hexagonal	LKG	Leakage, Locking
	E			LUM	Luminous
E-R	E-Ring	HLCL	Helical		
EXT	Extended, Extension, External, Extinguish	HP	Hewlett-Packard Company, High Pass		M
	F			M	Male, Maximum, Mega, Mil, Milli, Mode
F	Fahrenheit, Farad, Female, Film (Resistor), Fixed, Flange, Frequency	IC	Collector Current, Integrated Circuit	MA	Milliampere
FC	Carbon Film/ Composition, Edge of Cutoff Frequency, Face	ID	Identification, Inside Diameter	MACH	Machined
FDTHRU	Feedthrough	IF	Forward Current, Intermediate Frequency	MAX	Maximum
FEM	Female	IN	Inch	MC	Molded Carbon Composition
FIL-HD	Fillister Head	INCL	Including	MET	Metal, Metallized
FL	Flash, Flat, Fluid	INT	Integral, Intensity, Internal	MHZ	Megahertz
FLAT-PT	Flat Point		J	MINTR	Miniature
FR	Front	J-FET	Junction Field Effect Transistor	MIT	Miter
FREQ	Frequency	PLSTC	Plastic	MLD	Mold, Molded
	N	PNL	Panel	MM	Magnetized Material, Millimeter
N	Nano, None	PNP	Positive Negative Positive (Transistor)	MOM	Momentary
N-CHAN	N-Channel	POLYC	Polycarbonate	MTG	Mounting
NH	Nanohenry	POLYE	Polyester	MTLC	Metallic
NM	Nanometer, Nonmetallic	POT	Potentiometer	MW	Milliwatt
NO	Normally Open, Number	POZI	Pozidriv Recess	SMA	Subminiature, A Type (Threaded Connector)
NOM	Nominal	PREC	Precision	SMB	Subminiature, B Type (Slip-on Connector)
NPN	Negative Positive Negative (Transistor)	PRP	Purple, Purpose	SMC	Subminiature, C-Type (Threaded Connector)
NS	Nanosecond, Non-Shorting, Nose	PSTN	Piston	SPCG	Spacing
NUM	Numeric	PT	Part, Point, Pulse Time	SPDT	Single Pole Double Throw
NYL	Nylon (Polyamide)	PW	Pulse Width	SPST	Single Pole Single Throw
				SQ	Square
				SST	Stainless Steel

Table 1-3. Abbreviations (continued)

ABBREVIATIONS			
	O	Q	STL Steel
			SUBMIN Subminiature
		Q Figure of Merit	SZ Size
OA	Over-All		
OD	Outside Diameter	R	
OP AMP	Operational Amplifier	R Range, Red, Resistance, Resistor, Right, Ring	T
OPT	Optical, Option, Optional	REF Reference	T Teeth, Temperature, Thickness, Time, Timed, Tooth, Typical
	P	RES Resistance, Resistor	TA Ambient Temperature, Tantalum
PA	Picoampere, Power Amplifier	RF Radio Frequency	TC Temperature Coefficient
PAN-HD	Pan Head	RGD Rigid	THD Thread, Threaded
PAR	Parallel, Parity	RND Round	THK Thick
PB	Lead (Metal), Pushbutton	RR Rear	TO Package Type Designation
PC	Printed Circuit	RVT Rivet, Riveted	TPG Tapping
PCB	Printed Circuit Board	S	TR-HD Truss Head
P-CHAN	P-Channel	SAWR Surface Acoustic Wave Resonator	TRMR Trimmer
PD	Pad, Power Dissipation	SEG Segment	TRN Turn, Turns
PF	Picofarad, Power Factor	SGL Single	TRSN Torsion
PKG	Package	SI Silicon, Square Inch	Y
	U	SL Slide, Slow	
UCD	Microcandela	SLT Slot, Slotted	YIG Yttrium-Iron-Garnet
UF	Microfarad	VAR Variable	
UH	Microhenry	VDC Volts—Direct Current	
UL	Microliter, Underwriters' Laboratories, Inc.	W	
UNHDND	Unhardened	W Watt, Wattage, White, Wide, Width	Z
	V	W/SW With Switch	ZNR Zener
V	Variable, Violet, Volt, Voltage	WW Wire Wound	
VAC	Vacuum, Volts—Alternating Current	X	
		X By (Used with Dimensions), Reactance	

Multipliers

Table 1-4. Multipliers

MULTIPLIERS					
Abbreviation	Prefix	Multiple	Abbreviation	Prefix	Multiple
T	tera	10^{12}	m	milli	10^{-3}
G	giga	10^9	μ	micro	10^{-6}
M	mega	10^6	n	nano	10^{-9}
k	kilo	10^3	p	pico	10^{-12}
da	deka	10^2	f	femto	10^{-15}
d	deci	10^{-1}	a	atto	10^{-18}
c	centi	10^{-2}			

Manufacturer Codes

Table 1-5. Manufacturers Code List

Mfr Code	Manufacturer Name	Address	Country	ZIP Code
00039	NEC ELECTRONICS INC	MTN VIEW, CA	US	94043
00046	UNITRODE CORP	LEXINGTON, MA	US	02173
00075	ARIZONA COIL INC	NOGALES, AZ	US	85621
00273	STILLWATER MFG CO	EAST FREEDOM, MA	US	02717
00278	MCCOY ELECTRONICS CO	HOLLY SPRINGS, PA	US	17065
00350	EXAR INTEGRATED SYSTEMS INC	SUNNYVALE, CA	US	94086
00466	NORELCO NORTH AMER PHILIPS LTG CORP	LOS ANGELES, CA	US	90021
00493	UNITED CHEMI-CON INC	COMPTON, CA	US	90220
00746	ROHM CORP	IRVINE, CA	US	92713
00779	NICHICON (AMERICA) CORP	SCHAUMBERG, IL	US	60195
00830	KYOCERA INTERNATIONAL INC	SAN DIEGO, CA	US	
00901	UNION CARBIDE CORP	DANBURY, CT	US	06810
01064	SCHAAL BROS INC	BERTHOUD, CO	US	80513
01074	HOLSWORTHY ELECTRONICS LTD	HOLSWORTHY	EG	
01128	RES-NET CORP	WHIPPANY, NJ	US	07981
01131	WESTERN THERMISTOR CORP	OCEANSIDE, CA	US	92054
01136	ELCO INDUSTRIES INC	ROCKFORD, IL	US	61125
01172	R C D COMPONENTS INC	BEDFORD, NH	US	03102
01185	MAGNET WIRE CORP	NEW YORK, NY	US	10013
01230	AEROVOX CORP	NEW BEDFORD, MA	US	02741
01250	GTE SYLVANIA ELEK COMPONENTS GROUP	WALTHAM, MA	US	02154
01339	GETTIG ENGRG & MFG CO INC	SPRING MILLS, PA	US	16875
01380	AMP INC	HARRISBURG, PA	US	17111
01409	CROVEN CRYSTALS	WHITBY	CN	L1N 5
01417	NEL FREQUENCY CONTROLS INC	BURLINGTON, WI	US	53105
01452	SANGAMO WESTON INC	NORCROSS, GA	US	30071
01461	GOE ENGINEERING CO INC	ONTARIO, CA	US	91761
01468	STETTNER & CO	LAUF	GM	D-856
01478	BOYD CORP	PLEASANTON, CA	US	94566
01542	HP DIV 01 SAN JOSE COMPONENTS	SAN JOSE, CA	US	95131
01590	PLESSEY SEMICONDUCTORS	SANTA ANA, CA	US	92705
01607	ALLEN-BRADLEY CO INC	EL PASO, TX	US	79935
01688	MURATA CORPORATION OF AMERICA	MARIETTA, GA	US	30067
01691	TRW INC SEMICONDUCTOR DIV	LAWNDALE, CA	US	90260
01698	TEXAS INSTRUMENTS INC	DALLAS, TX	US	75265
01708	JUBULATION	SANTA CRUZ, CA	US	95060
01736	ALLIED ELECTRONICS CORP	CHICAGO, IL	US	60612
01760	MATSUO ELECTRONICS OF AMERICA	HUNTINGTON BEACH, CA	US	90245
01795	SYNERTEK	SANTA CLARA, CA	US	95051

Table 1-5. Manufacturers Code List (continued)

Mfr Code	Manufacturer Name	Address	Country	ZIP Code
01850	AROMAT CORP	MOUNTAINSIDE, NJ	US	07092
01854	RCL ELECTRONICS INC	NORTHBROOK, IL	US	60062
01869	PULSE ENGINEERING INC	SAN DIEGO, CA	US	92111
01876	HP DIV 02 SCD IC'S	SANTA CLARA, CA	US	95050
01885	HAMILTON STANDARD CONTROLS INC	WINDWOR LOCKS, CT	US	06096
01886	COILCRAFT INC	CARY, IL	US	60013
01887	FERROXCUBE CORP	SAUGERTIES, NY	US	12477
01898	HI-G CO INC	HARTFORD, CT	US	06114
01916	BUNKER RAMO CORP AMPHENOL CONN DIV	BROADVILLE, IL	US	60153
01921	RCA CORP	NEW YORK, NY	US	10112
01923	NYLOGRIP PRODUCTS	WALTHAM, MA	US	02154
01924	ITW PASTEX	DES PLAINES, IL	US	60016
01939	ELPAC INC COMPONENTS DIV	IRVINE, CA	US	92664
01943	HP DIV 04 SPD CABLES 64	PALO ALTO, CA	US	94304
01953	HP DIV 04 SPD MOLDING 91	PALO ALTO, CA	US	94304
01973	GE CO SEMICONDUCTOR PROD DEPT	AUBURN, NY	US	13201
01991	TRANSITRON ELECTRONIC CORP	WAKEFIELD, MA	US	01880
01992	KDI PYROFILM CORP	WHIPPANY, NJ	US	07981
01993	MARKEL CORP	NORRISTOWN, PA	US	19404
02010	AVX CORP	GREAT NECK, NY	US	11021
02030	NATIONAL WIRE & CABLE CO INC	LOS ANGELES, CA	US	90031
02037	MOTOROLA INC	ROSELLE, IL	US	60195
02038	UNICORP	ORANGE, NJ	US	07050
02062	HP DIV 05 MSD	SAN JOSE, CA	US	94304
02086	WESTINGHOUSE ELEC CORP SEMICON DEPT	YOUNGWOOD, PA	US	15697
02091	ULTRONIX INC	GRAND JUNCTION, CO	US	81501
02123	EG & G INC	WELLESLEY, MA	US	02181
02139	MEPCO/ELECTRA INC	MORRISTOWN, NJ	US	07960
02145	RAYCHEM CORP	MENLO PARK, CA	US	94025
02160	PANDUIT CORP	TINLEY PARK, IL	US	60477
02170	AMATOM ELEK HARDWARE DIV OF MITE	NEW ROCHELLE, NY	US	06515
02172	JEFFERS ELECTRONICS INC	NOGALES, AZ	US	85621
02180	PRECISION MONOLITHICS INC	SANTA CLARA, CA	US	95054
02191	CORNING COMPONENTS INC	CORNING, NY	US	14830
02194	ROBINSON NUGENT INC	NEW ALBANY, IN	US	47150
02210	MILTON ROSS CO	SOUTHAMPTON, PA	US	18966
02215	KELVIN ELECTRIC CO	VAN NUYS, CA	US	91401
02236	SILICON TRANSISTOR CORP	CHELMSFORD, MA	US	11530
02237	FAIRCHILD SEMICONDUCTOR CORP	CUPERTINO, CA	US	95014

Table 1-5. Manufacturers Code List (continued)

Mfr Code	Manufacturer Name	Address	Country	ZIP Code
02273	TRW INC BURLINGTON DIV	BURLINGTON, IA	US	52601
02290	RAYTHEON CO SEMICONDUCTOR DIV HQ	MOUNTAIN VIEW, CA	US	94040
02296	HP DIV 08 COLO SPRGS	COLORADO SPRGS, CO	US	80907
02344	GE CO MINIATURE LAMP PROD DEPT	CLEVELAND, OH	US	44112
02362	HP DIV 09 LID COMPONENTS	LOVELAND, CO	US	80537
02363	HP DIV C5 COLORADO IC	FT COLLINS, CO	US	80525
02366	KOA SPEER ELECTRONICS INC	BRADFORD, PA	US	16701
02367	CORNELL-DUBILIER/SANGAMO	WAYNE, NJ	US	07470
02379	TEXAS CAPACITOR CO INC	HOUSTON, TX	US	77036
02392	C & K COMPONENTS INC	NEWTON, MA	US	02158
02408	DIXON INDUSTRIES CORPORATION	BRISTOL, RI	US	02809
02414	BURNDY CORP	NORWALK, CT	US	06856
02415	DALE ELECTRONICS INC	YANKTON, SD	US	57078
02440	THOMPSON BREMER DIV VARE	CHICAGO, IL	US	60622
02465	ANILLO INDUSTRIES INC	ORANGE, CA	US	92667
02483	CTS CORP	ELKHART, IN	US	46514
02484	CTS CORP PASO ROBLES	PASO ROBLES, CA	US	93446
02499	IRC INC	BOONE, NC	US	28607
02501	TELEDYNE INDUSTRIES INC	LOS ANGELES, CA	US	90067
02556	MONTROSE PRODUCTS CO	AUBURN, MA	US	01501
02567	OMTRONICS MFG INC	OMAHA, NE	US	68105
02569	CRYSTALONICS, DIV TELEDYNE	CAMBRIDGE, MA	US	02140
02572	TELEDYNE THERMATICS	ELM CITY, NC	US	27822
02574	RLC ELECTRONICS INS	MT KISCO, NY	US	10549
02577	HAMLIN INC	LAKE MILLS, WI	US	53551
02582	CLAROSTAT MFG CO INC	DOVER, NH	US	03820
02598	UNITRODE CORP	WATERTOWN, MA	US	02172
02603	NATIONAL WIRE & STAMPING INC	ENGLEWOOD, CO	US	80110
02608	THERMALLOY INC	DALLAS, TX	US	75234
02619	SOLITRON DEVICES INC (DIODES)	TAPPAN, NY	US	10983
02634	SPRAGUE ELECTRIC SEMICON DIV	CONCORD, NH	US	03301
02664	SEMTECH CORP	NEWBURY PARK, CA	US	91320
02668	EDISON ELEK DIV MCGRAW-EDISON	MANCHESTER, NH	US	03130
02675	AMERICAN COMPONENTS INC	CONSHOHOCKEN, PA	US	19428
02682	ITT SEMICONDUCTORS DIV	TUSTIN, CA	US	92680
02685	LOBAUGH ROLLIN J	SOUTH SAN FRANC, CA	US	94080
02686	WATKINS-JOHNSON CO	PALO ALTO, CA	US	94304
02688	MICROSEMI CORP	SCOTSDALE, AZ	US	85252
02696	CORNING GLASS WORKS ELEK PROD DIV	CORNING, NY	US	14830

Table 1-5. Manufacturers Code List (continued)

Mfr Code	Manufacturer Name	Address	Country	ZIP Code
02706	WARD LEONARD HAGERSTOWN DIV	HAGERSTOWN, MD	US	21740
02713	GENERAL INSTRUMENT CORP (DIODE)	HICKSVILLE, NY	US	11802
02718	VALOR ELECTRONICS INC	SANTA ANA, CA	US	92705
02734	AMETEK INC RODAN DIV	ANAHEIM, CA	US	92806
02739	MINI-CIRCUITS LAB	BROOKLYN, NY	US	11235
02744	ELEC-TROL INC	SAUGUS, CA	US	91350
02761	FENWAL ELECTRONICS INC	SADDLE BROOK, NJ	US	07662
02763	TELEDYNE SEMICONDUCTOR	MOUNTAIN VIEW, CA	US	94043
02771	ANSLEY ELECTRIC	LOS ANGELES, CA	US	90032
02788	M/A-COM INC	BURLINGTON, MA	US	01803
02798	CORNING ELECTRONICS	RALEIGH, NC	US	27604
02803	CODI SEMICONDUCTOR	LINDEN, NJ	US	07410
02805	COOPER INDUSTRIES INC	HOUSTON, TX	US	77210
02813	U S CAPACITOR CORP	BURBANK, CA	US	91504
02826	DENNISON MFG CO	FRAMINGHAM, MA	US	01701
02856	MOHAWK SPRING CO INC	ARLINGTON HEIGH, IL	US	60008
02865	ALPHA INDUSTRIES INC	WOBURN, MA	US	01801
02877	ANGSTROHM PRECISION INC	VAN NUYS, CA	US	91405
02883	SILICONIX INC	SANTA CLARA, CA	US	95054
02910	SIGNETICS CORP	SUNNYVALE, CA	US	94086
02923	CHOMERICS INC	WOBURN, MA	US	01801
02928	VISHAY INTERTECHNOLOGY INC	MALVERN, PA	US	19355
02937	VOLTRONICS CORP	HANOVER, NJ	US	07936
02946	DUPONT E I DE NEMOURS & CO	WILMINGTON, DE	US	19801
02995	MEPCO/CENTRALAB INC	RIVIERA, FL	US	33404
03038	INTL RECTIFIER CORP	LOS ANGELES, CA	US	90069
03122	EMCON DIV ITW	SAN DIEGO, CA	US	92129
03123	MICRO-OHM CORP	EL TORO, CA	US	92630
03171	SOLITRON DEVICES INC	PALM BEACH, FL	US	33404
03172	TRW MICROWAVE	SUNNYVALE, CA	US	94086
03174	ANZAC ELEK DIV ADAMS-RUSSEL CO INC	WALTHAM, MA	US	02154
03206	DUPONT CONNECTOR SYSTEMS	CAMP HILL, PA	US	17011
03232	PRODUCT COMPONENT CORP	MT VERNON, NY	US	10553
03239	WAVETEK	SAN DIEGO, CA	US	92111
03257	M-TRON INDUSTRIES INC	YANKTON, SD	US	57078
03259	STANFORD APPLIED ENGINEERING	SANTA CLARA, CA	US	95054
03263	ELECTRONIZED CHEMICALS CORP	BURLINGTON, MA	US	01803
03273	GOWANDA ELECTRONICS CORP	GOWANDA, NY	US	14070
03282	GENERAL CABLE CORP	NEW YORK, NY	US	10017

Table 1-5. Manufacturers Code List (continued)

Mfr Code	Manufacturer Name	Address	Country	ZIP Code
03285	ANALOG DEVICES INC	NORWOOD, MA	US	02062
03291	AVANTEK INC	SANTA CLARA, CA	US	95054
03292	CORNING GLASS WORKS	CORNING, NY	US	14830
03297	EMC TECHNOLOGY INC	CHERRY HILL, NJ	US	08034
03316	SPECIALTY CONNECTOR CO	FRANKLIN, IN	US	46131
03317	AEG-TELEFUNKEN CORP	ENGLEWOOD, NJ	US	07632
03334	NV PHILIPS ELCOMA	EINDHOVEN	NE	02876
03352	SWISS AUTOMATICS INC	COLUMBUS, NE	US	68601
03371	USM CORP NYLOK FASTENER DIV	TORRANCE, CA	US	90501
03380	GRIES/DYNACAST CO DIV COATES-CLARK	NEW ROCHELLE, NY	US	10802
03389	VARADYNE INC	SANTA MONICA, CA	US	90404
03394	METHODE ELECTRONICS INC	CHICAGO, IL	US	60656
03395	MEPCO/CENTRALAB INC	WEST PALM BEACH, FL	US	33407
03406	NATIONAL SEMICONDUCTOR CORP	SANTA CLARA, CA	US	95052
03412	CORNING GLASS WORKS (WILMINGTON)	WILMINGTON, NC	US	28401
03418	MOLEX INC	LISLE, IL	US	60532
03428	NONOTUCK MFG CO	HADLEY FALLS, MA	US	01075
03441	F-DYNE ELECTRONICS CO	BRIDGEPORT, CT	US	06605
03521	JOHANSON DIELECTRICS INC	BURBANK, CA	US	91510
03530	STACKPOLE COMPONENT CO	RALEIGH, NC	US	27620
03545	TELEDYNE PHILBRICK NEXUS	DEDHAM, MA	US	02026
03594	CARTER SEMICONDUCTORS	LOWELL, MA	US	01850
03621	M/A-COM CABLEWAVE MINI PROD	BURLINGTON, MA	US	01803
03627	SOLID STATE DEVICES INC	LA MIRADA, CA	US	90638
03647	INSTRUMENT SPECIALTIES CO INC	DEL WATER GAP, PA	US	07424
03651	MEPCO/ELECTRA CORP	SAN DIEGO, CA	US	92121
03658	ALPHA IND MICROELECTRONICS DIVISION	COLMAR, PA	US	18915
03706	WEST-CAP ARIZONA	SAN FERNANDO, CA	US	91340
03714	INTERSIL INC	CUPERTINO, CA	CA	95014
03724	BIVAR INC	SANTA ANA, CA	US	92705
03740	ERIE TECH PROD INC ERIE FREQ CONT	CARLISLE, PA	US	17013
03744	BOURNS INC	RIVERSIDE, CA	US	92507
03746	SPECTRUM CONTROL INC	ERIE, PA	US	16505
03747	COLORADO CRYSTAL CORP	LOVELAND, CO	US	80537
03762	TELE-TECH CORP	BOZEMAN, MT	US	59771
03793	SILICON GENERAL INC	SAN JOSE, CA	US	95134
03794	ADVANCED MICRO DEVICES INC	SUNNYVALE, CA	US	94086
03795	MOTOROLA INC	FRANKLIN PARK, IL	US	60131
03799	HARRIS CORP	MELBOURNE, FL	US	32901

Table 1-5. Manufacturers Code List (continued)

Mfr Code	Manufacturer Name	Address	Country	ZIP Code
03811	INTEL CORP	SANTA CLARA, CA	US	95054
03827	FAIR RITE PRODUCTS CORP	WALLKILL, NY	US	12589
03849	MICROSYSTEMS INTERNATIONAL LTD	OTTAWA	CN	
03910	GENERAL ELECTRIC CO	PHILADELPHIA, PA	US	19124
03923	SIEMENS CORP	ISELIN, NJ	US	08830
03938	MIDLAND-ROSS CORP	CLEVELAND, OH	US	44113
03972	OHMITE MFG CO	SKOKIE, IL	US	60076
03973	HP DIV 45 NMD	SANTA ROSA, CA	US	95401
04068	LABINAL COMPONENTS & SYSTEMS INC	ELK GROVE VILLA, IL	US	60007
04078	SGS-THOMSON MICROELECTRONICS INC	PHOENIX, AZ	US	85022
04092	MONOLITHIC MEMORIES INC	SANTA CLARA, CA	US	95054
04121	SEMICONDUCTOR CIRCUITS INC	HAVERTHILL, MA	US	01830
04150	VICLAN INC	SAN DIEGO, CA	US	92138
04169	SANGAMO ELECTRIC CO	SPRINGFIELD, IL	US	62702
04181	AHAM-TOR	RANCHO, CA	US	91702
04182	SHALLCROSS INC	NORTHBROK, IL	US	60062
04200	SPRAGUE ELECTRIC CO	LEXINGTON, MA	US	02173
04204	SPS TECHNOLOGIES	NEWTOWN, PA	US	18940
04213	STIMPSON EDWIN B CO INC	BROOKLYN, NY	US	11705
04225	THOMAS & BETTS CORP	RARITAN, NJ	US	08869
04234	DELBERT BLINN CO	POMONA, CA	US	91766
04261	INSULECTRO CORP	BURLINGAME, CA	US	94010
04314	VLN CORP VICTOREEN INSTRUMENT DIV	CLEVELAND, OH	US	44103
04379	AMETEK INC	PAOLI, PA	US	19301
04393	CENTRE ENGINEERING INC	STATE COLLEGE, PA	US	16801
04418	ALLEN MFG CO	HARTFORD, CT	US	06101
04423	G.E. CERAMICS, INC.	CHATTANOOGA, TN	US	37405
04458	BLILEY ELECTRIC CO	ERIE, PA	US	16508
04464	BRAND REX CO	WILLIMANTIC, CT	US	06226
04475	CAMBRIDGE THERMIONIC CORP	CAMBRIDGE, MA	US	02138
04486	ITT CORP	NEW YORK, NY	US	10022
04492	CENTRALAB INC	MILWAUKEE, WI	US	53209
04504	GENERAL INSTRUMENT CORP	CLIFTON, NJ	US	07012
04507	TRW INC	CLEVELAND, OH	US	44124
04514	DOW CORNING CORP	MIDLAND, MI	US	48641
04522	ELECTRO MOTIVE CORP	FLORENCE, SC	US	06226
04550	GENERAL ELECTRIC CO	FAIRFIELD, CT	US	06430
04563	ERIE TECHNOLOGICAL PRODUCTS INC	ERIE, PA	US	16512
04564	ESSEX INTERNATIONAL INC	FORT WAYNE, IN	US	46804

Table 1-5. Manufacturers Code List (continued)

Mfr Code	Manufacturer Name	Address	Country	ZIP Code
04567	ITT HARPER DIV	CHICAGO, IL	US	60606
04568	BECKMAN INDUSTRIAL CORP	FULLERTON, CA	US	92635
04581	BARWOOD MFG CORP	EVERETT, MA	US	02149
04605	FISCHER SPECIAL MFG CO	CINCINNATI, OH	US	45206
04615	J F D ELECTRONICS CORP	BROOKLYN, NY	US	11219
04645	SIGNALITE DIV GENERAL INST CORP	NEPTUNE, NJ	US	07753
04648	PIEZO CRYSTAL CO	CARLSILE, PA	US	17013
04670	EF JOHNSON CO	WASECA, MN	US	56093
04672	TRW INC PHILADELPHIA DIV	PHILADELPHIA, PA	US	19108
04703	LITTELFUSE INC	DES PLAINES, IL	US	60016
04719	MARWEDEL C W	SAN FRANCISCO, CA	US	94103
04726	3M CO	ST PAUL, MN	US	55144
04733	BELL INDUSTRIES INC MILLER JW DIV	COMPTON, CA	US	90224
04757	OAK SWITCH SYSTEMS INC	CRYSTAL LAKE, IL	US	60014
04776	POTTER & BRUMFIELD INC	PRINCETON, IN	US	47671
04805	ILLINOIS TOOL WORKS INC SHAKEPROOF	ELGIN, IL	US	60126
04821	TILLEY MFG CO	MORGAN HILL, CA	US	94070
04822	STACKPOLE CARBON CO	ST MARYS, PA	US	15857
04828	TINNERMAN PRODUCTS INC	CLEVELAND, OH	US	44101
04830	STEWART STAMPING CORP	YONKERS, NY	US	10704
04853	VARFLEX CORP	ROME, NY	US	13440
04880	ZIERICK MFG CO	MT KISCO, NY	US	10549
04935	MEPCO ELECTRA CORP	MORRISTOWN, NJ	US	07960
04939	SCHNITZER ALLOY PRODUCTS CO	ELIZABETH, NJ	US	07206
04977	ITT CORP COMPONENTS DIV	NEW YORK, NY	US	10022
04990	GRAYHILL INC	LA GRANGE, IL	US	60525
05016	MONITOR PRODUCTS CO INC	OCEANSIDE, CA	US	92054
05065	TEXAS INSTRUMENTS INC	ATTLEBORO, MA	US	02703
05088	VARO INC	GARLAND, TX	US	75046
05098	VICTORY ENGINEERING CORP	SPRINGFIELD, NJ	US	07081
05108	KULKA-SMITH INC	MANASQUAN, NJ	US	08736
05131	ELECTRONIC DEVICES INC	YONKERS, NY	US	10710
05160	VRN INTERNATIONAL	ST PETERSBURG, FL	US	33710
05176	AMERICAN SHIZUKI CORP	CANOGA PARK, CA	US	91304
05232	BRADY W H CO	MILWAUKEE, WI	US	53209
05293	PRECISION METAL PRODUCT CO	STONEHAM, MA	US	02180
05347	UNIMICA	NEW YORK, NY	US	10013
05350	WILMINGTON FIBRE SPECIALTY CO	NEW CASTLE, DE	US	19720
05364	LITTON PRECISION PROD INC	VAN NUYS, CA	US	91409

Table 1-5. Manufacturers Code List (continued)

Mfr Code	Manufacturer Name	Address	Country	ZIP Code
05368	FCP INC	OLATHE, KS	US	66062
05400	REESE J RAMSEY INC	NEW YORK, NY	US	10007
05436	BURR-BROWN CORP	TUCSON, AZ	US	85706
05447	BERGQUIST CO	MINNEAPOLIS, MN	US	55420
05453	ICO-RALLY CORP	SUNNYVALE, CA	US	94303
05461	ITT HARPER INC	MORTON GROVE, IL	US	60053
05466	EMHART CORP	FARMINGTON, CT	US	06032
05507	MILLER DIAL & NAMEPLATE CO	EL MONTE, CA	US	91734
05518	AUGAT INC	MANSFIELD, MA	US	02048
05524	DALE ELECTRONICS INC	COLUMBUS, NE	US	68601
05535	KEYSTONE ELECTRONICS CORP	NEW YORK, NY	US	10012
05545	NATIONAL TEL TRONICS CORP	YONKERS, NY	US	10701
05559	ALPHA WIRE CORP	ELIZABETH, NJ	US	07207
05568	JACOBSON MFG CO INC	KENILWORTH, NJ	US	07033
05589	UNIFORM TUBES	COLLEGEVILLE, PA	US	19426
05623	CAMDEN WIRE CO INC	CAMDEN, NY	US	13316
05630	WESTON COMPONENTS	ARCHBALD, PA	US	18403
05648	MAGNECRAFT ELECTRIC CO	CHICAGO, IL	US	60630
05661	ALCO ELECTRONIC PRODUCTS INC	NORTH ANDOVER, MA	US	01845
05668	VITRAMON INC	MONROE, CT	US	06468
05683	WECKESSER CO INC	CHICAGO, IL	US	60641
05704	SAN FERNANDO ELECTRIC MFG CO	SAN FERNANDO, CA	US	91341
05742	P C A ELECTRONICS INC	SEPULVEDA, CA	US	91343
05768	MALCO-A MICRODOT CO	PASADENA, CA	US	91030
05769	ITT SEAELECTRO CORP	TRUMBULL, CT	US	06611
05792	INTL ELECTRONIC RESEARCH CORP	BURBANK, CA	US	91502
05809	MARSHALL IND CAPACITOR DIV	MONROVIA, CA	US	91016
05826	AMER PRON IND INC DELEVAN DIV	AURORA, NY	US	14052
05879	AMPHENOL CORPORATION	DANBURY, CT	US	06810
05917	RIFA AB	STOCKHOLM	SW	S-163
05943	TEXAS INSTRUMENTS DEUTSCHLAND GMBH	FREISING	GM	8050
05946	VALVO GMBH	HAMBURG	GM	2000
05951	WICKMANN-WERKE A G	WITTEN-ANNEN	GM	5870
05959	MARQUARDT GMBH	RIETHEIM	GM	D-720
05967	VTM A/S	GLOSTRUP	DK	2080
05982	CELDUC CONSTR ELECTRIQUES DU CENTRE	SORBIERS	FR	42
05985	SESCOSEM	SAINT EGREVE	FR	75781
05992	EFCO COMPOSANTS	NANTERRE	FR	
05993	CORNING GLASS EUROPE SOVCOR	LE VESINET	FR	

Table 1-5. Manufacturers Code List (continued)

Mfr Code	Manufacturer Name	Address	Country	ZIP Code
06003	SESCOSEM (63)	PARIS	FR	75781
06032	STC/STANTEL	DEVON	EG	
06039	SEAELECTRO LTD	PORTSMOUTH	EG	
06058	BOURNS TRIMPOT LTD	MIDDLESEX	EG	
06118	ROEDERSTEIN/RESISTA GMBH	LANDSHUT	GM	8300
06121	SIEMENS AG	MUNICH	GM	8000
06127	WIMA	MANNHEIM	GM	6800
06252	AB ELEKTRONIK GMBH	SALZBURG	AU	A-501
06328	SCHURTER AG	LUZERN	SW	CH-60
06330	CONDENSATEURS FRIBOURG S A	FRIBOURG	SW	
06337	PHILLIPS GLOEILAMPENFABRIEKEN N V	EINDHOVEN	HL	
06344	FUJITSU MICROELECTRONICS INC	SANTA CLARA, CA	US	95054
06347	HITACHI AMERICA LTD	SUNNYVALE, CA	US	94086
06352	TDK CORPORATION OF AMERICA	SKOKIE, IL	US	60076
06354	TOSHIBA CORP	TOKYO	JP	
06424	E-SIL COMPONENTS LTD	SUNDERLAND	EG	SR4 6
06501	BARBER & COLEMAN LTD	SALE CHES	EG	
06563	SIEMENS CORP COMPONENTS GROUP	SCOTTSDALE, AZ	US	85252
06650	AEG-TELEFUNKEN	HEILBRONN	GM	7100
06665	SAMTEC	NEW ALBANY, IN	US	47150
06784	MIDWEST COMPONENTS	MUSKEGON, MI	US	49443
06857	TRAK MICROWAVE CORP	TAMPA, FL	US	33614
06860	HUBER & SUHNER AG	HERISAU	SW	
06900	JUDD WIRE	BURLINGTON, MA	US	01803
06916	SONY CORP	TOYKO	JP	141
06951	TRW RESISTIVE PRODUCTS DIV	CORPUS CHRISTI, TX	US	78411
07041	R.A.F. ELECTRONIC HARDWARE INC	STRATFORD, CT	US	06497
07050	MICRO POWER SYSTEMS	SANTA CLARA, CA	US	95050
07158	EATON CORP	CLEVELAND, OH	US	44144
07179	AAVID ENGINEERING INC	LACONIA, NH	US	03247
07221	SUPERTEX INC	SUNNYVALE, CA	US	94086
07284	PAKTRON DIV ITW	VIENNA, VA	US	22180
07338	J K L COMPONENTS CORP	LOS ANGELES, CA	US	90064
07379	SAN-O INDUSTRIAL CORP	BOHEMIA LI, NY	US	11716
07398	BEL FUSE INC	JERSEY CITY, NJ	US	07302
07477	AMERICAN OIL & SUPPLY CO	NEWARK, NJ	US	07105
07766	LA RADIOTECHNIQUE COMPELEC	VILLEVRBANNE	FR	
07798	REMTEK CORP	SUNNYVALE, CA	US	
08097	SPRAGUE-GOODMAN ELECTRONICS	NEW HYDE PARK, NY	US	11040

Table 1-5. Manufacturers Code List (continued)

Mfr Code	Manufacturer Name	Address	Country	ZIP Code
08113	KAHGAN ELECTRONICS CORP	HEMPSTEAD, NY	US	11550
08123	COIL-Q CORP	BRONXVILLE, NY	US	
08259	DALE ELECTRONICS INC	TEMPE, AZ	US	85252
08261	STAR MICRONICS INC	NEW YORK, NY	US	
08335	SOURIAU INC	SAUGUS, CA	US	95203
08369	FILECA	STE GENEVIEVE	FR	
08560	OXLEY DEV LTD	CUMBRIA	EG	
08666	PANEL COMPONENTS CORP	SANTA ROSA, CA	US	
08709	PANASONIC INDUSTRIAL CO	SECAUCUS, NJ	US	07094
08778	MADISON CABLE CORP	WORCHESTER, MA	US	01603
08779	MITSUBISHI ELECTRONICS AMERICA	SUNNYVALE, CA	US	94086
08781	CATALYST RESEARCH CORP	BALTIMORE, MD	US	
08810	ROCKWELL INTERNATIONAL	ANAHEIM, CA	US	
08838	AND (ALPHA NUMERIC DISPLAYS)	BURLINGAME, CA	US	
08852	METELICS CORP	SUNNYVALE, CA	US	
09043	GLOW-LITE DIV OF DUTCH BOY	PAULS VALLEY, OK	US	
09050	XENELL	WYNNEWOOD, OK	US	
09126	ASJ PTE LTD	JURONG TOWN	SG	
09171	RHOMBUS INDUSTRIES INC	HUNTINGTON BEACH, CA	US	92649
09226	NEC ELECTRONICS INC	SANTA CLARA, CA	US	
09235	FOX ELECTRONICS	FT MEYERS, FL	US	33910
09283	TOPAZ SEMICONDUCTOR	SAN JOSE, CA	US	95132
09441	APPLIED ENGINEERING PRODUCT CO	HAMDEN, CT	US	
09448	WAMCO INC	FOUNTAIN VALLEY, CA	US	
09454	PRECISION RESISTIVE PRODS INC	MEDIAPOLIS, IA	US	52637
09507	HP DIV 53 SAD	ROHNERT PARK, CA	US	94928
09538	TUSONIX	TUCSON, AZ	US	85740
09694	ELECTRONIC ESSENTIALS	WOODSIDE, NY	US	
09849	NDK AMERICA INC	CUPERTINO, CA	US	54014
09855	KOWASANGYO CORP	TOKYO	JP	
09859	CERA-MITE CORP	GRAFTON, WI	US	53024
09862	HITACHI CABLE LTD	TOKYO	JP	
09914	UNITRODE CORP	LEXINGTON, MA	US	
09939	MURATA ERIE NORTH AMERICA INC	SMYRNA, GA	US	30080
09955	BOYD CORP	DENVER, CO	US	
10183	TADIRAN	TEL-AVIV	IS	
10200	ELECTRONIC CONCEPTS INC	EATONTOWN, NJ	US	
10290	COMMODORE SEMICONDUCTOR GROUP	NORRISTOWN, PA	US	
10302	CENTENNIAL PLASTICS	YELLVIELLE, AR	US	

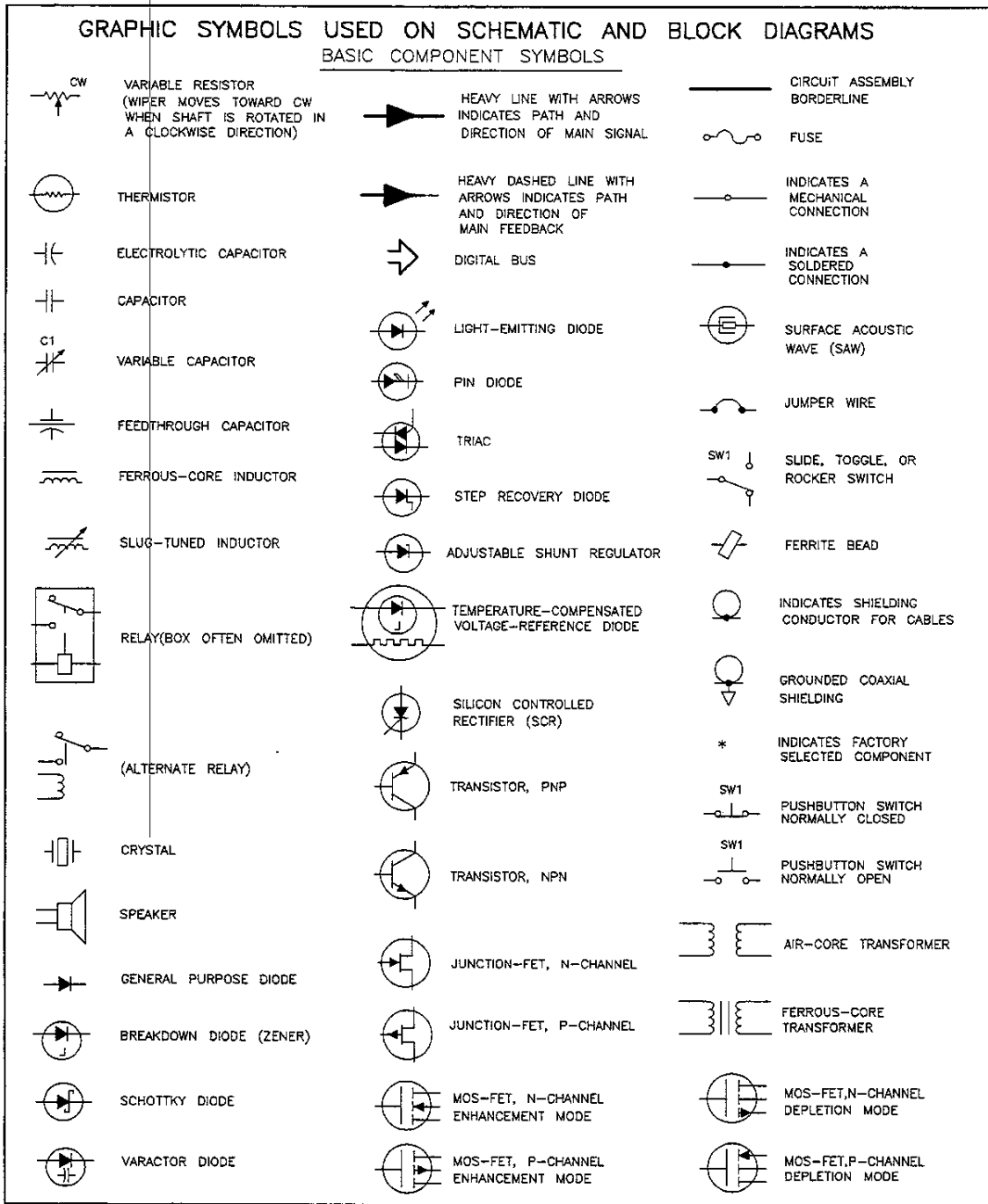
Table 1-5. Manufacturers Code List (continued)

Mfr Code	Manufacturer Name	Address	Country	ZIP Code
10358	VOGT AG	LOSTORF	GM	
10401	NEW SYSTEMS MOLDING CORP	LOVELAND, CO	US	80537
10407	LSI LOGIC CORP	MILPITAS, CA	US	95035
10421	EPSON	TORRENCE, CA	US	
10443	HP DIV 64 NID	CORVALLIS, OR	US	
10456	PLASTEC PRODUCTS INC	FORT COLLINS, CO	US	
10457	JERMYN INDUSTRIES LTD (63)	KENT SEVENOAKS	EG	
10481	DALE ELECTRONICS INC	NORFOLK, NE	US	68701
10549	SCI MANUFACTURING INC	HUNTSVILLE, AL	US	35805
10572	XICOR, INC	MILPITAS, CA	US	
10631	GASKET SPECIALTIES	BRISBANE, CA	US	
10784	SHINNITOKU ELECTRIC CO LTD	MINATO-KU TOKYO	JP	145
10795	STANDEX - PAUL SMITH DIVISION	CINCINNATI, OH	US	
10858	LINEAR TECHNOLOGY CORP	MILPITAS, CA	US	95035
10881	THOMSON-CSF	COURBEVOIE	FR	
10905	FIRA	LYON	FR	
11047	TEKA PRODUCTS INC	WOODSIDE, NY	US	
11111	SEEQ TECHNOLOGY INC	SAN JOSE, CA	US	
11171	SYNERGY MICROWAVE CORP	FAIRFIELD, NJ	US	
11187	VLSI TECHNOLOGY INC	SAN JOSE, CA	US	95131
11212	INDUCTOR SUPPLY, INC.	HUNTINGTON BEACH, CA	US	
11248	MICRON DIV OF R G ALLEN CO INC	NORTH HOLLYWOOD, CA	US	
11263	W GUNTHER GMBH	NURNBERG	GM	
11298	AVEL-LINDBURG	DANBURY	CT	
11345	CYPRESS SEMICONDUCTOR CORP	SAN JOSE, CA	US	95134
11357	BRISTOL ROYAL WORKSHOP BLIND	BRISTOL	EG	
11412	ISOLANTITE MFG COMPANY INC	STIRLING, NJ	US	
11421	KYOCERA CORPORATION	KYOTO	JP	
11599	MICRO-COAX COMPONENTS, INC	COLLEGEVILLE, PA	US	19426
11677	SARONIX	PALO ALTO, CA	US	
11684	JOSLYN DEFENSE SYSTEMS INC	BURLINGTON, VT	US	05401
11686	KYUSHU DENTSU CO LTD	NAGASAKI	JP	
11699	CENTRAL SEMICONDUCTOR CORP	HAUPPAUGE, NY	US	11788
11703	POWER GENERAL	CANTON, MA	US	
11708	THOMSON SEMICONDUCTORS	VELIZY VILLACOU	FR	78140
11723	CTL COMPONENTS LTD	LONDON	EG	SW19
11781	MIDLAND-ROSS CORP	LIVINGSTON, NJ	US	07039
11844	ELECTREY S A	MONTERREY	MX	64000
11892	EVOX/RIFA INC	LINCOLNSHIRE, IL	US	60015

Table 1-5. Manufacturers Code List (continued)

Mfr Code	Manufacturer Name	Address	Country	ZIP Code
11920	MIYAMA DENSEN CO LTD	TOKYO	JP	
11946	BKC INTERNATIONAL ELECTRONICS	LAWRENCE, MA	US	01841
11961	ALEXCO ENGINEERING SUPPLIES	COWDENBEATH	EG	KY4 9
11981	POWEREX	YOUNGWOOD, PA	US	15697
12125	SAMSUNG SEMICONDUCTOR INC	SANTA CLARA, CA	US	95054
12127	RF MONOLITHICS INC	DALLAS, TX	US	75234
12131	PRESIDIO COMPONENTS INC	SAN DIEGO, CA	US	92121
12186	DALLAS SEMICONDUCTOR CORP	DALLAS, TX	US	75244
12213	STACKPOLE ELECTRONICS INC	RALEIGH, NC	US	27620
12261	ERIE SPECIALTY PRODUCTS INC	ERIE, PA	US	16512
12340	KEMET ELECTRONICS CORPORATION	GREENVILLE, SC	US	29606
12355	INTERCONNECTION PRODUCTS INC	SANTA ANA, CA	US	92707
12382	LATTICE SEMICONDUCTOR CORP	BEAVERTON, OR	US	97006
12395	FEI MICROWAVE, INC.	SUNNYVALE, CA	US	94086
12418	OWL WIRE AND CABLE	CANASTATA, NY	US	13032
12456	WIRE PRO INC	SALEM, NJ	US	08079
12465	INTERNATIONAL POWER DEVICES	BRIGHTON, MA	US	02135
12473	AVX-RALEIGH DIVISION	RALEIGH, NC	US	27604
12482	BRADFORD ELECTRONICS INC	BRADFORD, PA	US	16701
12513	BUNNELL PLASTICS, INC	MICKLETON, NJ	US	08056
12516	MICROTRONICS ASSOCIATES PTE LTD	SINGAPORE	SG	1334
12580	SOUTH AMERICAN DEVELOPMENT CO	HYDE PARK, NY	US	12538
12656	BEYSCHLAG GMBH	HEIDE	GM	
12703	CHAMPION TECHNOLOGIES INC	FRANKLIN PARK, IL	US	60131
12830	KETEMA	BENSALEM, PA	US	19020
12845	WARTH INTERNATIONAL LTD	EAST GRINSTEAD	EG	RH192
12896	DOWKEY MICROWAVE INC	VENTURA, CA	US	93003

Graphics Symbols



symbols1

Figure 1-1. Graphic Symbols (1 of 2)

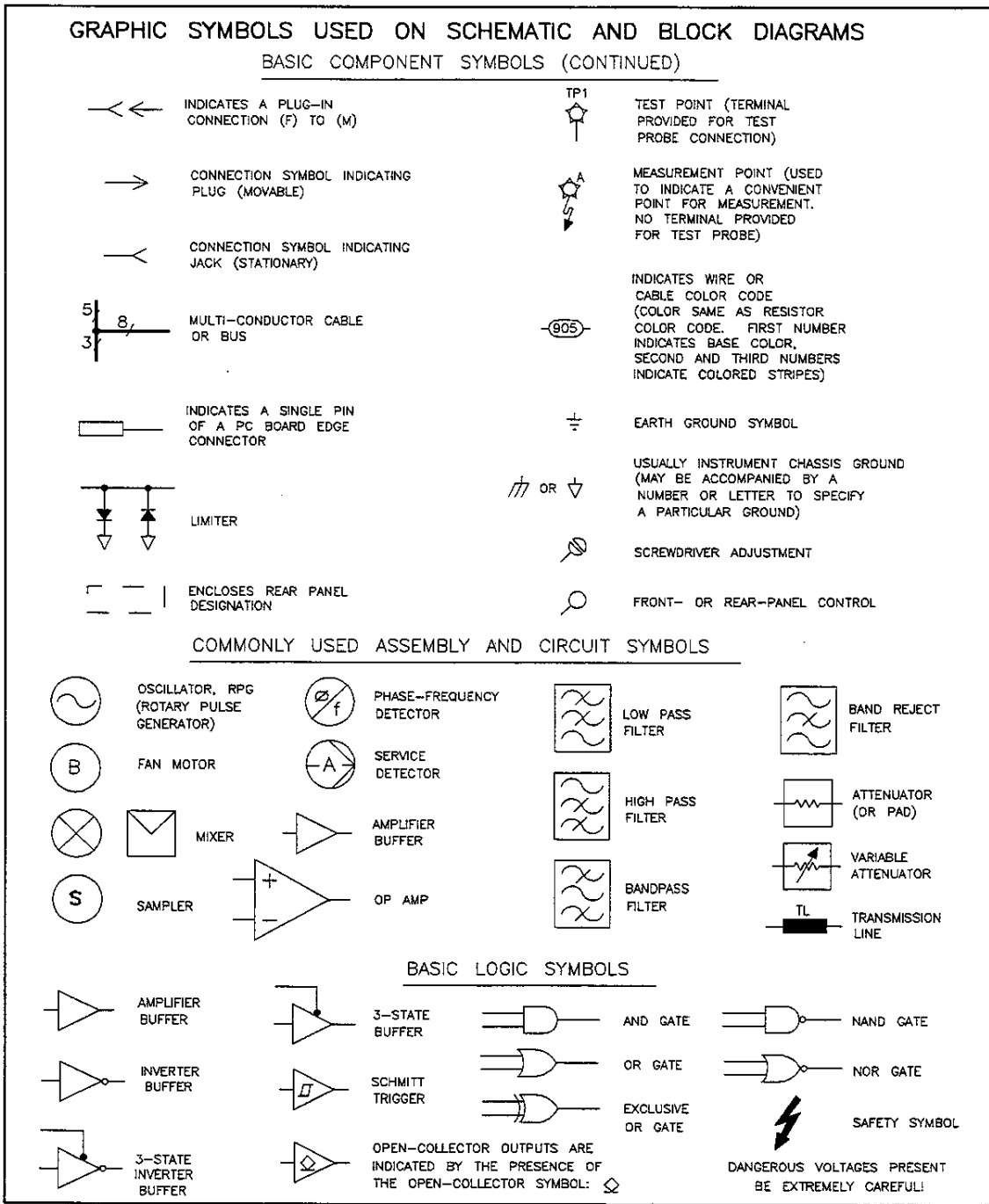


Figure 1-2. Graphic Symbols (2 of 2)

1

2

3

Component-Level Information Packet for 70310-60001

A1 RF



**HP Part No. 70310-90062
Printed in USA December 1994**

Notice. The information contained in this document is subject to change without notice.

Hewlett-Packard makes no warranty of any kind with regard to this material, including, but not limited to, the implied warranties of merchantability and fitness for a particular purpose. Hewlett-Packard shall not be liable for errors contained herein or for incidental or consequential damages in connection with the furnishing, performance, or use of this material.

© Copyright Hewlett-Packard Company 1989, 1994

All Rights Reserved. Reproduction, adaptation, or translation without prior written permission is prohibited, except as allowed under the copyright laws.

HP Part Number 70310-60001
A1 RF Board Assembly

Reference Designation	HP Part Number	C D	Qty	Description	Mfr Code	Mfr Part Number
A1	70310-60001	5	1	BD ASSY-RF	28480	70310-60001
A1C1	0160-3762	7	2	CAPACITOR-FXD .68UF +-5% 50VDC MET-POLYC	28480	0160-3762
A1C2	0160-4803	9	3	CAPACITOR-FXD 68PF +-5% 100VDC CER 0+-30	28480	0160-4803
A1C3	0160-4807	3	3	CAPACITOR-FXD 33PF +-5% 100VDC CER 0+-30	28480	0160-4807
A1C4	0160-4350	1	3	CAPACITOR-FXD 68PF +-5% 200VDC CER 0+-30	28480	0160-4350
A1C5	0160-4574	1	9	CAPACITOR-FXD 1000PF +-10% 100VDC CER	28480	0160-4574
A1C6	0180-3831	3	6	CAPACITOR-FXD 10UF+-10% 35VDC TA	56289	299D106X9035DB1
A1C7	0160-4554	7	25	CAPACITOR-FXD .01UF +-20% 50VDC CER	28480	0160-4554
A1C8	0160-4554	7		CAPACITOR-FXD .01UF +-20% 50VDC CER	28480	0160-4554
A1C9	0160-4554	7		CAPACITOR-FXD .01UF +-20% 50VDC CER	28480	0160-4554
A1C10	0160-4554	7		CAPACITOR-FXD .01UF +-20% 50VDC CER	28480	0160-4554
A1C11	0160-4800	6	2	CAPACITOR-FXD 120PF +-5% 100VDC CER	28480	0160-4800
A1C12	0160-4800	6		CAPACITOR-FXD 120PF +-5% 100VDC CER	28480	0160-4800
A1C13	0160-4807	3		CAPACITOR-FXD 33PF +-5% 100VDC CER 0+-30	28480	0160-4807
A1C14	0160-4554	7		CAPACITOR-FXD .01UF +-20% 50VDC CER	28480	0160-4554
A1C16	0160-4527	4	1	CAPACITOR-FXD 56PF +-5% 200VDC CER 0+-30	28480	0160-4527
A1C17	0160-4493	3	1	CAPACITOR-FXD 27PF +-5% 200VDC CER 0+-30	28480	0160-4493
A1C18	0160-4554	7		CAPACITOR-FXD .01UF +-20% 50VDC CER	28480	0160-4554
A1C19	0160-4574	1		CAPACITOR-FXD 1000PF +-10% 100VDC CER	28480	0160-4574
A1C20	0160-4574	1		CAPACITOR-FXD 1000PF +-10% 100VDC CER	28480	0160-4574
A1C21	0160-4574	1		CAPACITOR-FXD 1000PF +-10% 100VDC CER	28480	0160-4574
A1C22	0160-4554	7		CAPACITOR-FXD .01UF +-20% 50VDC CER	28480	0160-4554
A1C23	0160-3762	7		CAPACITOR-FXD .68UF +-5% 50VDC MET-POLYC	28480	0160-3762
A1C24	0160-4554	7		CAPACITOR-FXD .01UF +-20% 50VDC CER	28480	0160-4554
A1C25	0160-5422	0	27	CAPACITOR-FXD .047UF +-20% 50VDC CER	28480	0160-5422
A1C26	0160-5422	0		CAPACITOR-FXD .047UF +-20% 50VDC CER	28480	0160-5422
A1C28	0160-5422	0		CAPACITOR-FXD .047UF +-20% 50VDC CER	28480	0160-5422
A1C30	0180-3831	3		CAPACITOR-FXD 10UF+-10% 35VDC TA	56289	299D106X9035DB1
A1C31	0160-5422	0		CAPACITOR-FXD .047UF +-20% 50VDC CER	28480	0160-5422
A1C32	0160-4805	1	1	CAPACITOR-FXD 47PF +-5% 100VDC CER 0+-30	28480	0160-4805
A1C33	0160-4806	2	1	CAPACITOR-FXD 39PF +-5% 100VDC CER 0+-30	28480	0160-4806
A1C34	0160-4574	1		CAPACITOR-FXD 1000PF +-10% 100VDC CER	28480	0160-4574
A1C35	0160-4554	7		CAPACITOR-FXD .01UF +-20% 50VDC CER	28480	0160-4554
A1C36	0160-4574	1		CAPACITOR-FXD 1000PF +-10% 100VDC CER	28480	0160-4574
A1C37	0160-4803	9		CAPACITOR-FXD 68PF +-5% 100VDC CER 0+-30	28480	0160-4803
A1C38	0160-4554	7		CAPACITOR-FXD .01UF +-20% 50VDC CER	28480	0160-4554
A1C39	0160-4807	3		CAPACITOR-FXD 33PF +-5% 100VDC CER 0+-30	28480	0160-4807
A1C40	0160-4803	9		CAPACITOR-FXD 68PF +-5% 100VDC CER 0+-30	28480	0160-4803
A1C42	0160-4554	7		CAPACITOR-FXD .01UF +-20% 50VDC CER	28480	0160-4554
A1C43	0160-4574	1		CAPACITOR-FXD 1000PF +-10% 100VDC CER	28480	0160-4574
A1C44	0160-4350	1		CAPACITOR-FXD 68PF +-5% 200VDC CER 0+-30	28480	0160-4350
A1C45	0160-4554	7		CAPACITOR-FXD .01UF +-20% 50VDC CER	28480	0160-4554
A1C47	0160-4574	1		CAPACITOR-FXD 1000PF +-10% 100VDC CER	28480	0160-4574
A1C48	0180-3831	3		CAPACITOR-FXD 10UF+-10% 35VDC TA	56289	299D106X9035DB1
A1C49	0180-3831	3		CAPACITOR-FXD 10UF+-10% 35VDC TA	56289	299D106X9035DB1
A1C50	0160-4789	0	1	CAPACITOR-FXD 15PF +-5% 100VDC CER 0+-30	28480	0160-4789
A1C51	0160-5422	0		CAPACITOR-FXD .047UF +-20% 50VDC CER	28480	0160-5422
A1C52	0160-3879	7	2	CAPACITOR-FXD .01UF +-20% 100VDC CER	28480	0160-3879
A1C53	0160-4554	7		CAPACITOR-FXD .01UF +-20% 50VDC CER	28480	0160-4554
A1C54	0160-5422	0		CAPACITOR-FXD .047UF +-20% 50VDC CER	28480	0160-5422

**Indicates factory-selected value*

HP Part Number 70310-60001
A1 RF Board Assembly

Reference Designation	HP Part Number	C D	Qty	Description	Mfr Code	Mfr Part Number
A1C55	0160-5422	0		CAPACITOR-FXD .047UF +-20% 50VDC CER	28480	0160-5422
A1C56	0160-5422	0		CAPACITOR-FXD .047UF +-20% 50VDC CER	28480	0160-5422
A1C57	0160-5422	0		CAPACITOR-FXD .047UF +-20% 50VDC CER	28480	0160-5422
A1C58	0160-5422	0		CAPACITOR-FXD .047UF +-20% 50VDC CER	28480	0160-5422
A1C59	0160-4386	3	1	CAPACITOR-FXD 33PF +-5% 200VDC CER 0+-30	28480	0160-4386
A1C60	0160-4084	8	3	CAPACITOR-FXD .1UF +-20% 50VDC CER	28480	0160-4084
A1C61	0160-4084	8		CAPACITOR-FXD .1UF +-20% 50VDC CER	28480	0160-4084
A1C62	0160-4554	7		CAPACITOR-FXD .01UF +-20% 50VDC CER	28480	0160-4554
A1C63	0160-4554	7		CAPACITOR-FXD .01UF +-20% 50VDC CER	28480	0160-4554
A1C64	0160-5422	0		CAPACITOR-FXD .047UF +-20% 50VDC CER	28480	0160-5422
A1C65	0160-4574	1		CAPACITOR-FXD 1000PF +-10% 100VDC CER	28480	0160-4574
A1C66	0160-4554	7		CAPACITOR-FXD .01UF +-20% 50VDC CER	28480	0160-4554
A1C67	0160-4554	7		CAPACITOR-FXD .01UF +-20% 50VDC CER	28480	0160-4554
A1C68	0160-4350	1		CAPACITOR-FXD 68PF +-5% 200VDC CER 0+-30	28480	0160-4350
A1C69	0180-3831	3		CAPACITOR-FXD 10UF+-10% 35VDC TA	56289	299D106X9035DB1
A1C70	0160-3879	7		CAPACITOR-FXD .01UF +-20% 100VDC CER	28480	0160-3879
A1C72	0160-3874	2	1	CAPACITOR-FXD 10PF +-5PF 200VDC CER	28480	0160-3874
A1C101	0160-4554	7		CAPACITOR-FXD .01UF +-20% 50VDC CER	28480	0160-4554
A1C102	0160-4554	7		CAPACITOR-FXD .01UF +-20% 50VDC CER	28480	0160-4554
A1C103	0160-5422	0		CAPACITOR-FXD .047UF +-20% 50VDC CER	28480	0160-5422
A1C104	0160-5422	0		CAPACITOR-FXD .047UF +-20% 50VDC CER	28480	0160-5422
A1C105	0160-5422	0		CAPACITOR-FXD .047UF +-20% 50VDC CER	28480	0160-5422
A1C106	0160-4554	7		CAPACITOR-FXD .01UF +-20% 50VDC CER	28480	0160-4554
A1C107	0160-4554	7		CAPACITOR-FXD .01UF +-20% 50VDC CER	28480	0160-4554
A1C108	0160-5422	0		CAPACITOR-FXD .047UF +-20% 50VDC CER	28480	0160-5422
A1C109	0160-4554	7		CAPACITOR-FXD .01UF +-20% 50VDC CER	28480	0160-4554
A1C110	0160-4554	7		CAPACITOR-FXD .01UF +-20% 50VDC CER	28480	0160-4554
A1C111	0160-4801	7	2	CAPACITOR-FXD 100PF +-5% 100VDC CER	28480	0160-4801
A1C112	0160-5422	0		CAPACITOR-FXD .047UF +-20% 50VDC CER	28480	0160-5422
A1C113	0160-5422	0		CAPACITOR-FXD .047UF +-20% 50VDC CER	28480	0160-5422
A1C114	0160-4801	7		CAPACITOR-FXD 100PF +-5% 100VDC CER	28480	0160-4801
A1C115	0160-5422	0		CAPACITOR-FXD .047UF +-20% 50VDC CER	28480	0160-5422
A1C116	0160-5422	0		CAPACITOR-FXD .047UF +-20% 50VDC CER	28480	0160-5422
A1C118	0160-5422	0		CAPACITOR-FXD .047UF +-20% 50VDC CER	28480	0160-5422
A1C119	0160-4823	3	1	CAPACITOR-FXD 820PF +-5% 100VDC CER	28480	0160-4823
A1C120	0160-5422	0		CAPACITOR-FXD .047UF +-20% 50VDC CER	28480	0160-5422
A1C121	0160-5422	0		CAPACITOR-FXD .047UF +-20% 50VDC CER	28480	0160-5422
A1C122	0160-4554	7		CAPACITOR-FXD .01UF +-20% 50VDC CER	28480	0160-4554
A1C123	0160-4554	7		CAPACITOR-FXD .01UF +-20% 50VDC CER	28480	0160-4554
A1C124	0160-4084	8		CAPACITOR-FXD .1UF +-20% 50VDC CER	28480	0160-4084
A1C125	0160-5422	0		CAPACITOR-FXD .047UF +-20% 50VDC CER	28480	0160-5422
A1C126	0160-5422	0		CAPACITOR-FXD .047UF +-20% 50VDC CER	28480	0160-5422
A1C128	0160-4005	3	1	CAPACITOR-FXD 1UF +-20% 100VDC CER	28480	0160-4005
A1C129	0180-3831	3		CAPACITOR-FXD 10UF+-10% 35VDC TA	56289	299D106X9035DB1
A1C130	0160-5422	0		CAPACITOR-FXD .047UF +-20% 50VDC CER	28480	0160-5422
A1C131	0160-5422	0		CAPACITOR-FXD .047UF +-20% 50VDC CER	28480	0160-5422
A1C132	0160-5422	0		CAPACITOR-FXD .047UF +-20% 50VDC CER	28480	0160-5422
A1C133	0180-1746	5	3	CAPACITOR-FXD 15UF+-10% 20VDC TA	56289	150D156X9020B2
A1C134	0180-1746	5		CAPACITOR-FXD 15UF+-10% 20VDC TA	56289	150D156X9020B2
A1C136	0180-1746	5		CAPACITOR-FXD 15UF+-10% 20VDC TA	56289	150D156X9020B2

HP Part Number 70310-60001
A1 RF Board Assembly

Reference Designation	HP Part Number	C D	Qty	Description	Mfr Code	Mfr Part Number
A1CR1	1901-0535	9	7	DIODE-SM SIG SCHOTTKY	28480	1901-0535
A1CR2	1901-0535	9		DIODE-SM SIG SCHOTTKY	28480	1901-0535
A1CR3	1901-0535	9		DIODE-SM SIG SCHOTTKY	28480	1901-0535
A1CR4	1901-0535	9		DIODE-SM SIG SCHOTTKY	28480	1901-0535
A1CR5	1901-0535	9		DIODE-SM SIG SCHOTTKY	28480	1901-0535
A1CR6	1901-0535	9		DIODE-SM SIG SCHOTTKY	28480	1901-0535
A1CR7	1901-0535	9		DIODE-SM SIG SCHOTTKY	28480	1901-0535
A1CR10	0122-0161	4	2	DIODE-VVC 2.15PF 7% BVR=30V	25403	BB405B
A1CR11	1901-0050	3	13	DIODE-SWITCHING 80V 200MA 2NS DO-35	9N171	1N4150
A1CR12	1901-0050	3		DIODE-SWITCHING 80V 200MA 2NS DO-35	9N171	1N4150
A1CR13	1901-0050	3		DIODE-SWITCHING 80V 200MA 2NS DO-35	9N171	1N4150
A1CR14	1901-0050	3		DIODE-SWITCHING 80V 200MA 2NS DO-35	9N171	1N4150
A1CR15	1901-0050	3		DIODE-SWITCHING 80V 200MA 2NS DO-35	9N171	1N4150
A1CR16	0122-0161	4		DIODE-VVC 2.15PF 7% BVR=30V	25403	BB405B
A1CR100	1901-0050	3		DIODE-SWITCHING 80V 200MA 2NS DO-35	9N171	1N4150
A1CR101	1901-0050	3		DIODE-SWITCHING 80V 200MA 2NS DO-35	9N171	1N4150
A1CR102	1901-0050	3		DIODE-SWITCHING 80V 200MA 2NS DO-35	9N171	1N4150
A1CR103	1901-0050	3		DIODE-SWITCHING 80V 200MA 2NS DO-35	9N171	1N4150
A1CR104	1901-0050	3		DIODE-SWITCHING 80V 200MA 2NS DO-35	9N171	1N4150
A1CR105	1901-0050	3		DIODE-SWITCHING 80V 200MA 2NS DO-35	9N171	1N4150
A1CR108	1901-0050	3		DIODE-SWITCHING 80V 200MA 2NS DO-35	9N171	1N4150
A1CR109	1901-0050	3		DIODE-SWITCHING 80V 200MA 2NS DO-35	9N171	1N4150
A1J1	1251-5927	4	1	CONNECTOR 26-PIN M POST TYPE	28480	1251-5927
A1J3	1251-4928	3	1	CONNECTOR 10-PIN M POST TYPE	22526	65611-110
A1J4	1250-0257	1	4	CONNECTOR-RF SMB M PC 50-OHM	28480	1250-0257
A1J5	1250-0257	1		CONNECTOR-RF SMB M PC 50-OHM	28480	1250-0257
A1J6	1250-0257	1		CONNECTOR-RF SMB M PC 50-OHM	28480	1250-0257
A1J7	1250-0257	1		CONNECTOR-RF SMB M PC 50-OHM	28480	1250-0257
A1L1	9140-0797	9	6	INDUCTOR 87NH 5% .23W-INX.38LG-IN Q=66	28480	9140-0797
A1L2	9140-0797	9		INDUCTOR 87NH 5% .23W-INX.38LG-IN Q=66	28480	9140-0797
A1L3	9140-0797	9		INDUCTOR 87NH 5% .23W-INX.38LG-IN Q=66	28480	9140-0797
A1L4	9140-0797	9		INDUCTOR 87NH 5% .23W-INX.38LG-IN Q=66	28480	9140-0797
A1L5	9140-0797	9		INDUCTOR 87NH 5% .23W-INX.38LG-IN Q=66	28480	9140-0797
A1L6	9140-0797	9		INDUCTOR 87NH 5% .23W-INX.38LG-IN Q=66	28480	9140-0797
A1L7	9140-0142	8	2	INDUCTOR RF-CH-MLD 2.2UH 10%	28480	9140-0142
A1L8	9140-1218	1	1	INDUCTOR 475NH 5% .23W-INX.38LG-IN Q=66	02113	BUGS/132-17.5T
A1L9	9100-2256	5	1	INDUCTOR RF-CH-MLD 560NH 10%	28480	9100-2256
A1L10	9140-0736	6	1	INDUCTOR 200UH .4DX.3LG	28480	9140-0736
A1L11	9170-1276	4	5	CORE-FERRITE WIDE-BAND CHOKE;Z:750 OHMS	01897	VK 200 10/3B
A1L12	9170-1276	4		CORE-FERRITE WIDE-BAND CHOKE;Z:750 OHMS	01897	VK 200 10/3B
A1L13	9140-0142	8		INDUCTOR RF-CH-MLD 2.2UH 10%	28480	9140-0142
A1L15	9170-0029	3	1	CORE-SHIELDING BEAD	28480	9170-0029
A1L100	9140-0398	6	1	INDUCTOR RF-CH-MLD 12UH 5%	28480	9140-0398
A1L102	9100-2486	3	1	INDUCTOR RF-CH-MLD 330NH 5%	28480	9100-2486
A1L103	9170-1276	4		CORE-FERRITE WIDE-BAND CHOKE;Z:750 OHMS	01897	VK 200 10/3B
A1L104	9170-1276	4		CORE-FERRITE WIDE-BAND CHOKE;Z:750 OHMS	01897	VK 200 10/3B
A1L105	9170-1276	4		CORE-FERRITE WIDE-BAND CHOKE;Z:750 OHMS	01897	VK 200 10/3B
A1Q1	1854-0345	8	3	TRANSISTOR X-N 2N5179 72	28480	1854-0345
A1Q2	1854-0908	9	2	TRANSISTOR NPN TO-72 FT=2.5GHZ	28480	1854-0908
A1Q3	1854-0908	9		TRANSISTOR NPN TO-72 FT=2.5GHZ	28480	1854-0908

*Indicates factory-selected value

HP Part Number 70310-60001
A1 RF Board Assembly

Reference Designation	HP Part Number	C D	Qty	Description	Mfr Code	Mfr Part Number
A1Q4	1854-1063	9	6	TRANSISTOR NPN SI TO-72 PD=200MW FT=1GHZ	02041	BFY90
A1Q5	1854-1063	9		TRANSISTOR NPN SI TO-72 PD=200MW FT=1GHZ	02041	BFY90
A1Q6	1854-1063	9		TRANSISTOR NPN SI TO-72 PD=200MW FT=1GHZ	02041	BFY90
A1Q7	1854-1063	9		TRANSISTOR NPN SI TO-72 PD=200MW FT=1GHZ	02041	BFY90
A1Q8	1854-1063	9		TRANSISTOR NPN SI TO-72 PD=200MW FT=1GHZ	02041	BFY90
A1Q9	1854-1063	9		TRANSISTOR NPN SI TO-72 PD=200MW FT=1GHZ	02041	BFY90
A1Q10	1855-0420	2	1	TRANSISTOR J-FET 2N4391 N-CHAN D-MODE	01295	2N4391
A1Q100	1853-0036	2	2	TRANSISTOR PNP SI PD=310MW FT=250MHZ	27014	2N3906
A1Q101	1853-0036	2		TRANSISTOR PNP SI PD=310MW FT=250MHZ	27014	2N3906
A1Q102	1854-0345	8		TRANSISTOR X-N 2N5179 72	28480	1854-0345
A1Q103	1854-0345	8		TRANSISTOR X-N 2N5179 72	28480	1854-0345
A1Q104	1854-0215	1	1	TRANSISTOR NPN SI TO-92 PD=350MW	04713	2N3904
A1R1	0757-1094	9	4	RESISTOR 1.47K 1% .125W F TC=0+-100	24546	CT4-1/8-T0-1471
A1R2	0757-1094	9		RESISTOR 1.47K 1% .125W F TC=0+-100	24546	CT4-1/8-T0-1471
A1R3	0698-3447	4	9	RESISTOR 422 1% .125W F TC=0+-100	24546	CT4-1/8-T0-422R
A1R4	0757-0394	0	15	RESISTOR 51.1 1% .125W F TC=0+-100	24546	CT4-1/8-T0-51R1
A1R5	0757-0394	0		RESISTOR 51.1 1% .125W F TC=0+-100	24546	CT4-1/8-T0-51R1
A1R6	0757-0442	9	10	RESISTOR 10K 1% .125W F TC=0+-100	24546	CT4-1/8-T0-1002
A1R7	0698-3433	8	1	RESISTOR 28.7 1% .125W F TC=0+-100	03888	PNE55-1/8-T0-2B
A1R8	0698-3447	4		RESISTOR 422 1% .125W F TC=0+-100	24546	CT4-1/8-T0-422R
A1R9	0698-3447	4		RESISTOR 422 1% .125W F TC=0+-100	24546	CT4-1/8-T0-422R
A1R10	0698-3441	8	1	RESISTOR 215 1% .125W F TC=0+-100	24546	CT4-1/8-T0-215R
A1R11	0757-0280	3	13	RESISTOR 1K 1% .125W F TC=0+-100	24546	CT4-1/8-T0-1001
A1R12	0757-0280	3		RESISTOR 1K 1% .125W F TC=0+-100	24546	CT4-1/8-T0-1001
A1R13	0698-3454	3	5	RESISTOR 215K 1% .125W F TC=0+-100	24546	CT4-1/8-T0-2153
A1R14	0698-3454	3		RESISTOR 215K 1% .125W F TC=0+-100	24546	CT4-1/8-T0-2153
A1R15	0757-0394	0		RESISTOR 51.1 1% .125W F TC=0+-100	24546	CT4-1/8-T0-51R1
A1R16	0757-0346	2	6	RESISTOR 10 1% .125W F TC=0+-100	28480	0757-0346
A1R17	0757-0394	0		RESISTOR 51.1 1% .125W F TC=0+-100	24546	CT4-1/8-T0-51R1
A1R18	0757-0394	0		RESISTOR 51.1 1% .125W F TC=0+-100	24546	CT4-1/8-T0-51R1
A1R19	0757-0280	3		RESISTOR 1K 1% .125W F TC=0+-100	24546	CT4-1/8-T0-1001
A1R20	0698-3454	3		RESISTOR 215K 1% .125W F TC=0+-100	24546	CT4-1/8-T0-2153
A1R21	0757-0280	3		RESISTOR 1K 1% .125W F TC=0+-100	24546	CT4-1/8-T0-1001
A1R22	0757-1094	9		RESISTOR 1.47K 1% .125W F TC=0+-100	24546	CT4-1/8-T0-1471
A1R23	0757-0394	0		RESISTOR 51.1 1% .125W F TC=0+-100	24546	CT4-1/8-T0-51R1
A1R24	0757-0439	4	1	RESISTOR 6.81K 1% .125W F TC=0+-100	24546	CT4-1/8-T0-6811
A1R25	0757-0465	6	2	RESISTOR 100K 1% .125W F TC=0+-100	24546	CT4-1/8-T0-1003
A1R26	0757-0465	6		RESISTOR 100K 1% .125W F TC=0+-100	24546	CT4-1/8-T0-1003
A1R27	0698-0084	9	5	RESISTOR 2.15K 1% .125W F TC=0+-100	24546	CT4-1/8-T0-2151
A1R28	0757-0461	2	1	RESISTOR 68.1K 1% .125W F TC=0+-100	24546	CT4-1/8-T0-6812
A1R29	0698-0084	9		RESISTOR 2.15K 1% .125W F TC=0+-100	24546	CT4-1/8-T0-2151
A1R30	0698-0084	9		RESISTOR 2.15K 1% .125W F TC=0+-100	24546	CT4-1/8-T0-2151
A1R31	0757-0346	2		RESISTOR 10 1% .125W F TC=0+-100	28480	0757-0346
A1R32	0698-3447	4		RESISTOR 422 1% .125W F TC=0+-100	24546	CT4-1/8-T0-422R
A1R33	0757-0346	2		RESISTOR 10 1% .125W F TC=0+-100	28480	0757-0346
A1R34	0698-3162	0	4	RESISTOR 46.4K 1% .125W F TC=0+-100	24546	CT4-1/8-T0-4642
A1R35	0757-0463	4	1	RESISTOR 82.5K 1% .125W F TC=0+-100	24546	CT4-1/8-T0-8252
A1R36	0757-0398	4	2	RESISTOR 75 1% .125W F TC=0+-100	24546	CT4-1/8-T0-75R0
A1R37	0698-3447	4		RESISTOR 422 1% .125W F TC=0+-100	24546	CT4-1/8-T0-422R
A1R38	0698-3162	0		RESISTOR 46.4K 1% .125W F TC=0+-100	24546	CT4-1/8-T0-4642

HP Part Number 70310-60001
A1 RF Board Assembly

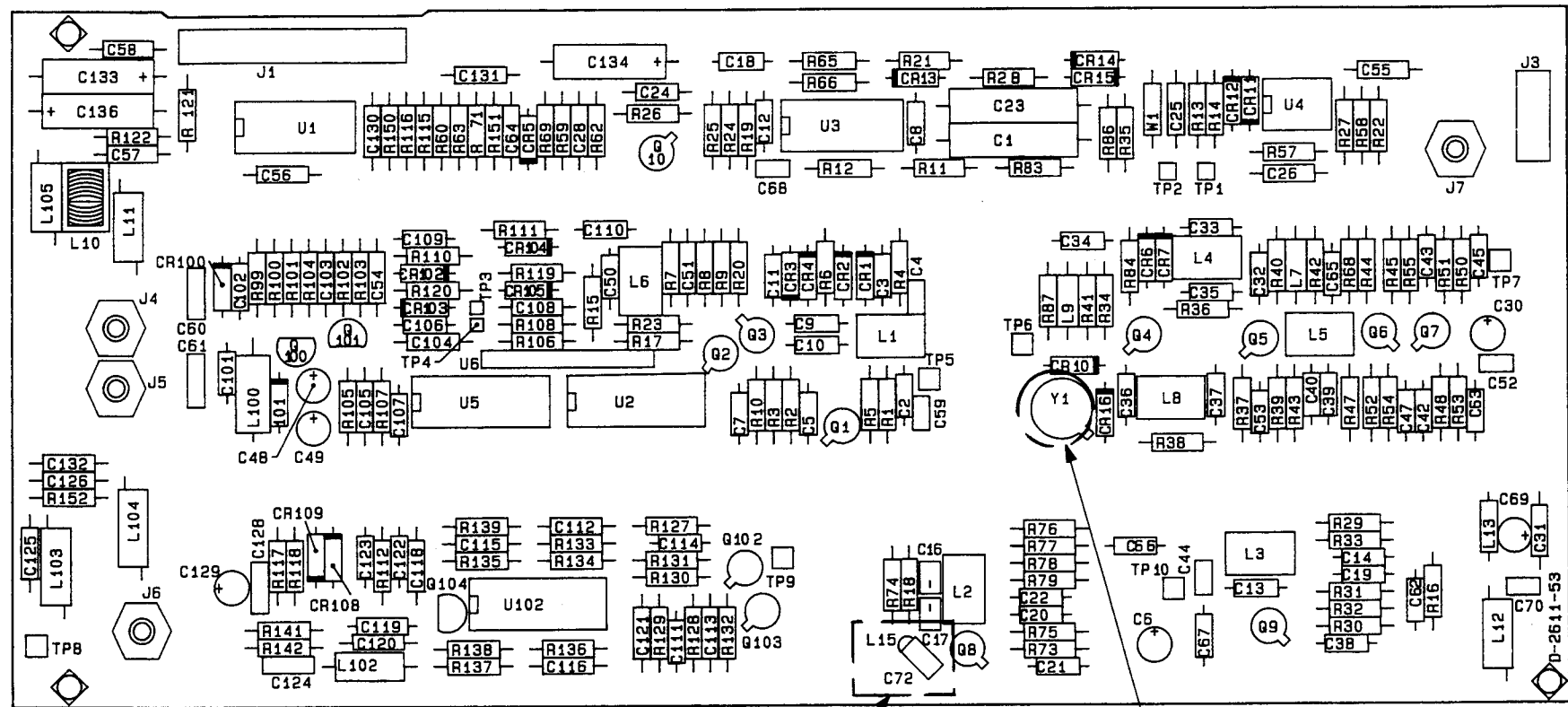
Reference Designation	HP Part Number	C D	Qty	Description	Mfr Code	Mfr Part Number
AIR39	0698-3447	4		RESISTOR 422 1% .125W F TC=0+-100	24546	CT4-1/8-T0-422R
AIR40	0757-0398	4		RESISTOR 75 1% .125W F TC=0+-100	24546	CT4-1/8-T0-75R0
AIR41	0757-0382	6	2	RESISTOR 16.2 1% .125W F TC=0+-100	19701	5033R-1/8-T0-16
AIR42	0757-0280	3		RESISTOR 1K 1% .125W F TC=0+-100	24546	CT4-1/8-T0-1001
AIR43	0757-1094	9		RESISTOR 1.47K 1% .125W F TC=0+-100	24546	CT4-1/8-T0-1471
AIR44	0757-0401	0	3	RESISTOR 100 1% .125W F TC=0+-100	24546	CT4-1/8-T0-101-F
AIR45	0698-3447	4		RESISTOR 422 1% .125W F TC=0+-100	24546	CT4-1/8-T0-422R
AIR47	0757-0394	0		RESISTOR 51.1 1% .125W F TC=0+-100	24546	CT4-1/8-T0-51R1
AIR48	0757-0394	0		RESISTOR 51.1 1% .125W F TC=0+-100	24546	CT4-1/8-T0-51R1
AIR50	0757-0280	3		RESISTOR 1K 1% .125W F TC=0+-100	24546	CT4-1/8-T0-1001
AIR51	0757-0280	3		RESISTOR 1K 1% .125W F TC=0+-100	24546	CT4-1/8-T0-1001
AIR52	0698-3444	1	1	RESISTOR 316 1% .125W F TC=0+-100	24546	CT4-1/8-T0-316R
AIR53	0757-0346	2		RESISTOR 10 1% .125W F TC=0+-100	28480	0757-0346
AIR54	0698-3438	3	4	RESISTOR 147 1% .125W F TC=0+-100	24546	CT4-1/8-T0-147R
AIR55	0757-0394	0		RESISTOR 51.1 1% .125W F TC=0+-100	24546	CT4-1/8-T0-51R1
AIR57	0698-3454	3		RESISTOR 215K 1% .125W F TC=0+-100	24546	CT4-1/8-T0-2153
AIR58	0757-0442	9		RESISTOR 10K 1% .125W F TC=0+-100	24546	CT4-1/8-T0-1002
AIR59	0757-0442	9		RESISTOR 10K 1% .125W F TC=0+-100	24546	CT4-1/8-T0-1002
AIR60	0757-0442	9		RESISTOR 10K 1% .125W F TC=0+-100	24546	CT4-1/8-T0-1002
AIR62	0698-8827	4	1	RESISTOR 1M 1% .125W F TC=0+-100	28480	0698-8827
AIR63	0698-3438	3		RESISTOR 147 1% .125W F TC=0+-100	24546	CT4-1/8-T0-147R
AIR65	0757-0289	2	1	RESISTOR 13.3K 1% .125W F TC=0+-100	19701	5033R-1/8-T0-13
AIR66	0698-3162	0		RESISTOR 46.4K 1% .125W F TC=0+-100	24546	CT4-1/8-T0-4642
AIR68	0757-0346	2		RESISTOR 10 1% .125W F TC=0+-100	28480	0757-0346
AIR69	0757-0442	9		RESISTOR 10K 1% .125W F TC=0+-100	24546	CT4-1/8-T0-1002
AIR71	0698-3454	3		RESISTOR 215K 1% .125W F TC=0+-100	24546	CT4-1/8-T0-2153
AIR73	0698-3447	4		RESISTOR 422 1% .125W F TC=0+-100	24546	CT4-1/8-T0-422R
AIR74	0757-0394	0		RESISTOR 51.1 1% .125W F TC=0+-100	24546	CT4-1/8-T0-51R1
AIR75	0757-0346	2		RESISTOR 10 1% .125W F TC=0+-100	28480	0757-0346
AIR76	0698-0084	9		RESISTOR 2.15K 1% .125W F TC=0+-100	24546	CT4-1/8-T0-2151
AIR77	0698-0084	9		RESISTOR 2.15K 1% .125W F TC=0+-100	24546	CT4-1/8-T0-2151
AIR78	0757-0382	6		RESISTOR 16.2 1% .125W F TC=0+-100	19701	5033R-1/8-T0-16
AIR79	0757-0394	0		RESISTOR 51.1 1% .125W F TC=0+-100	24546	CT4-1/8-T0-51R1
AIR83	0757-0442	9		RESISTOR 10K 1% .125W F TC=0+-100	24546	CT4-1/8-T0-1002
AIR84	0698-3447	4		RESISTOR 422 1% .125W F TC=0+-100	24546	CT4-1/8-T0-422R
AIR86	0757-0199	3	1	RESISTOR 21.5K 1% .125W F TC=0+-100	24546	CT4-1/8-T0-2152
AIR87	0698-3162	0		RESISTOR 46.4K 1% .125W F TC=0+-100	24546	CT4-1/8-T0-4642
AIR99	0757-0394	0		RESISTOR 51.1 1% .125W F TC=0+-100	24546	CT4-1/8-T0-51R1
AIR100	0757-0401	0		RESISTOR 100 1% .125W F TC=0+-100	24546	CT4-1/8-T0-101-F
AIR101	0698-3437	2	2	RESISTOR 133 1% .125W F TC=0+-100	24546	CT4-1/8-T0-133R
AIR102	0698-3438	3		RESISTOR 147 1% .125W F TC=0+-100	24546	CT4-1/8-T0-147R
AIR103	0698-0083	8	3	RESISTOR 1.96K 1% .125W F TC=0+-100	24546	CT4-1/8-T0-1961
AIR104	0757-0442	9		RESISTOR 10K 1% .125W F TC=0+-100	24546	CT4-1/8-T0-1002
AIR105	0757-0280	3		RESISTOR 1K 1% .125W F TC=0+-100	24546	CT4-1/8-T0-1001
AIR106	0698-3132	4	2	RESISTOR 261 1% .125W F TC=0+-100	24546	CT4-1/8-T0-2610
AIR107	0757-0420	3	2	RESISTOR 750 1% .125W F TC=0+-100	24546	CT4-1/8-T0-751-F
AIR108	0757-0402	1	1	RESISTOR 110 1% .125W F TC=0+-100	24546	CT4-1/8-T0-111-F
AIR110	0698-8958	2	3	RESISTOR 511K 1% .125W F TC=0+-100	28480	0698-8958
AIR111	0698-8958	2		RESISTOR 511K 1% .125W F TC=0+-100	28480	0698-8958
AIR112	0698-8958	2		RESISTOR 511K 1% .125W F TC=0+-100	28480	0698-8958

*Indicates factory-selected value

HP Part Number 70310-60001

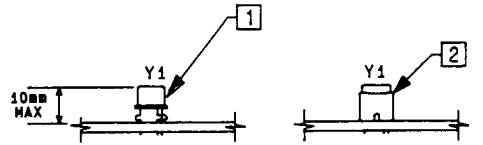
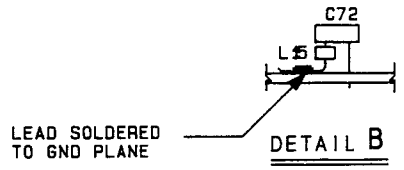
A1 RF Board Assembly

Reference Designation	HP Part Number	C D	Qty	Description	Mfr Code	Mfr Part Number
A1R115	0757-0438	3	4	RESISTOR 5.11K 1% .125W F TC=0+-100	24546	CT4-1/8-T0-5111
A1R116	0757-0438	3		RESISTOR 5.11K 1% .125W F TC=0+-100	24546	CT4-1/8-T0-5111
A1R117	0757-0280	3		RESISTOR 1K 1% .125W F TC=0+-100	24546	CT4-1/8-T0-1001
A1R118	0757-0280	3		RESISTOR 1K 1% .125W F TC=0+-100	24546	CT4-1/8-T0-1001
A1R119	0757-0280	3		RESISTOR 1K 1% .125W F TC=0+-100	24546	CT4-1/8-T0-1001
A1R120	0757-0280	3		RESISTOR 1K 1% .125W F TC=0+-100	24546	CT4-1/8-T0-1001
A1R121	0757-0438	3		RESISTOR 5.11K 1% .125W F TC=0+-100	24546	CT4-1/8-T0-5111
A1R122	0757-0438	3		RESISTOR 5.11K 1% .125W F TC=0+-100	24546	CT4-1/8-T0-5111
A1R127	0698-3438	3		RESISTOR 147 1% .125W F TC=0+-100	24546	CT4-1/8-T0-147R
A1R128	0757-0280	3		RESISTOR 1K 1% .125W F TC=0+-100	24546	CT4-1/8-T0-1001
A1R129	0698-0083	8		RESISTOR 1.96K 1% .125W F TC=0+-100	24546	CT4-1/8-T0-1961
A1R130	0757-0394	0		RESISTOR 51.1 1% .125W F TC=0+-100	24546	CT4-1/8-T0-51R1
A1R131	0698-0085	0	1	RESISTOR 2.61K 1% .125W F TC=0+-100	24546	CT4-1/8-T0-2611
A1R132	0757-0401	0		RESISTOR 100 1% .125W F TC=0+-100	24546	CT4-1/8-T0-101-F
A1R133	0698-3132	4		RESISTOR 261 1% .125W F TC=0+-100	24546	CT4-1/8-T0-2610
A1R134	0757-0420	3		RESISTOR 750 1% .125W F TC=0+-100	24546	CT4-1/8-T0-751-F
A1R135	0757-0416	7	2	RESISTOR 511 1% .125W F TC=0+-100	24546	CT4-1/8-T0-511R
A1R136	0757-0416	7		RESISTOR 511 1% .125W F TC=0+-100	24546	CT4-1/8-T0-511R
A1R137	0757-0279	0	1	RESISTOR 3.16K 1% .125W F TC=0+-100	24546	CT4-1/8-T0-3161
A1R138	0698-0083	8		RESISTOR 1.96K 1% .125W F TC=0+-100	24546	CT4-1/8-T0-1961
A1R139	0698-3437	2		RESISTOR 133 1% .125W F TC=0+-100	24546	CT4-1/8-T0-133R
A1R141	0757-0394	0		RESISTOR 51.1 1% .125W F TC=0+-100	24546	CT4-1/8-T0-51R1
A1R142	0757-0394	0		RESISTOR 51.1 1% .125W F TC=0+-100	24546	CT4-1/8-T0-51R1
A1R150	0757-0442	9		RESISTOR 10K 1% .125W F TC=0+-100	24546	CT4-1/8-T0-1002
A1R151	0757-0442	9		RESISTOR 10K 1% .125W F TC=0+-100	24546	CT4-1/8-T0-1002
A1R152	0757-0442	9		RESISTOR 10K 1% .125W F TC=0+-100	24546	CT4-1/8-T0-1002
A1TP1	0360-0077	5	7	TERMINAL-STUD SGL-TUR SWGFRM-MTG	28480	0360-0077
A1TP2	0360-1682	0	1	TERMINAL-STUD SGL-TUR PRESS-MTG	28480	0360-1682
A1TP5	0360-0077	5		TERMINAL-STUD SGL-TUR SWGFRM-MTG	28480	0360-0077
A1TP6	0360-0077	5		TERMINAL-STUD SGL-TUR SWGFRM-MTG	28480	0360-0077
A1TP7	0360-0077	5		TERMINAL-STUD SGL-TUR SWGFRM-MTG	28480	0360-0077
A1TP8	0360-0077	5		TERMINAL-STUD SGL-TUR SWGFRM-MTG	28480	0360-0077
A1TP9	0360-0077	5		TERMINAL-STUD SGL-TUR SWGFRM-MTG	28480	0360-0077
A1TP10	0360-0077	5		TERMINAL-STUD SGL-TUR SWGFRM-MTG	28480	0360-0077
A1U1	1826-0759	9	1	IC COMPARATOR GP QUAD 14-DIP-C PKG	04713	LM339J
A1U2	1820-2822	9	1	IC GATE ECL/10KH OR-NOR TPL	04713	MC10H105P
A1U3	1826-1222	3	1	IC OP AMP H-SLEW-RATE QUAD 14-DIP-C PKG	28480	1826-1222
A1U4	1826-1229	0	1	IC COMPARATOR PRCN DUAL 8-DIP-C PKG	28480	1826-1229
A1U5	1820-0802	1	1	IC GATE ECL NOR QUAD 2-INP	04713	MC10102P
A1U6	1810-0272	8	1	NETWORK-RES 10-SIP 330.0 OHM X 9	91637	CSC10A01-331G/M
A1U102	1820-1383	5	1	IC CNTR ECL BCD POS-EDGE-TRIG	04713	MC10138L
A1W1	8159-0005	0	1	JUMPER-22 AWG LEAD DIA	28480	8159-0005
A1Y1	0410-1506	4	1	CRYSTAL-QUARTZ 100 MHZ HC-35/U-HLDR	28480	0410-1506



SEE DETAIL B

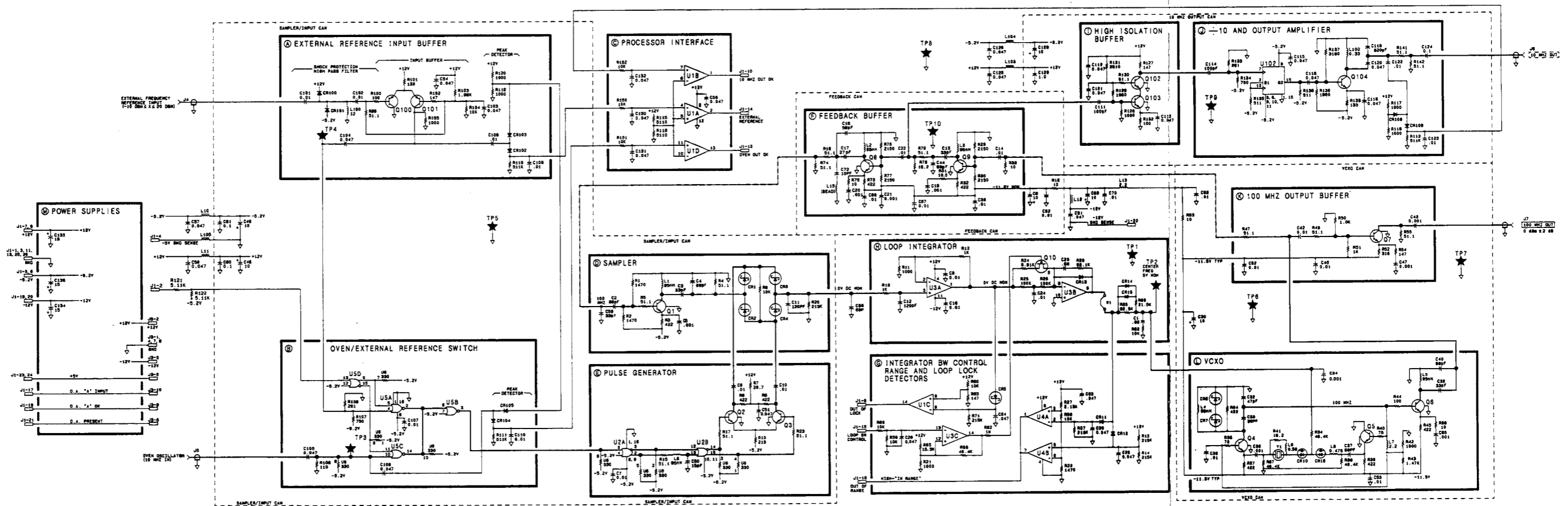
SEE DETAIL A



- DETAIL A**
- 1 THE CRYSTAL, Y1, MUST BE HANDGINKED TO PROVIDE A SHARP BEND IN THE LEADS. WHEN THE CRYSTAL IS SOLDERED IN PLACE THE MAXIMUM HEIGHT ALLOWED FROM THE TOP OF THE CRYSTAL TO THE BOARD IS 10mm.
 - 2 COVER Y1 WITH A SMALL PIECE OF SHRINK TUBING (HP PART NUMBER 0890-0291). THEN INJECT NON-CORROSIVE RTV (FORMULA 3140/HP PART NUMBER 0470-0440) INTO SHRINK TUBING THROUGH SMALL OPENING. MAKE SURE THAT THE CAVITY UNDER Y1 IS COMPLETELY FULL OF RTV, BUT DO NOT ALLOW RTV TO OOOZE OUT FROM UNDER THE SHRINK TUBING.

PCB	SIGNAL	TO FROM	FUNCTION
1	END	ADJ1-1	M
2	OVEN/EXT. CONT.	ADJ1-3	D
3	+12V BND. SENSE	ADJ1-5	M
4	-5V BND. SENSE	ADJ1-4	M
5	-5.2V	ADJ1-6	M
6	-5.2V	ADJ1-8	M
7	+12V	ADJ1-7	M
8	+12V	ADJ1-9	M
9	OUT OF LOCK	ADJ1-8	D
10	10 MHZ OUT OK	ADJ1-10	C
11	END	ADJ1-11	M
12	OVEN OUT OK	ADJ1-12	C
13	END	ADJ1-13	M
14	EST. REF. PRESENT	ADJ1-14	C
15	LOOP BW CONT.	ADJ1-15	C
16	OUT OF RANGE	ADJ1-16	C
17	D.A. "A" INPUT	ADJ1-17	M
18	D.A. "A" OK	ADJ1-18	M
19	+12V	ADJ1-18	M
20	+12V	ADJ1-20	M
21	D.A. PRESENT	ADJ1-21	M
22	+12V BND. SENSE	ADJ1-22	M
23	+5V	ADJ1-23	M
24	+5V	ADJ1-24	M
25	END	ADJ1-25	M
26	END	ADJ1-26	M

PCB	SIGNAL	TO FROM	FUNCTION
1	END	ADJ1-1	M
2	+12V	ADJ1-2	M
3	-12V	ADJ1-3	M
4	END	ADJ1-4	M
5	+5V	ADJ1-5	M
6	D.A. PRESENT	ADJ1-6	M
7	END	ADJ1-7	M
8	END	ADJ1-8	M
9	D.A. "A" OK	ADJ1-9	M
10	D.A. "A" INPUT	ADJ1-10	M



NOTES:

- REFERENCE DESIGNATORS WITHIN THIS ASSEMBLY ARE ABBREVIATED. FOR COMPLETE REFERENCE DESIGNATION, PLEASE ASSOCIATION WITH ASSEMBLY DESIGNATION.
- UNLESS OTHERWISE INDICATED: RESISTANCE IS IN OHMS, KΩ CAPACITANCE IS IN MICROFARADS (μF) INDUCTANCE IS IN MICROHENRIES (μH)
- UNLESS OTHERWISE INDICATED: SIGNALS ENTER AT LEFT SIDE AND EXIT AT RIGHT SIDE OF FUNCTION BLOCKS.
- SYMBOLIC TABLE:

SYMBOLIC	DESCRIPTION

Component-Level Information Packet for 70310-60038

A2 Power Supply/Processor



**HP Part No. 70310-90076
Printed in USA December 1994**

Notice. The information contained in this document is subject to change without notice.

Hewlett-Packard makes no warranty of any kind with regard to this material, including, but not limited to, the implied warranties of merchantability and fitness for a particular purpose. Hewlett-Packard shall not be liable for errors contained herein or for incidental or consequential damages in connection with the furnishing, performance, or use of this material.

©Copyright Hewlett-Packard Company 1994

All Rights Reserved. Reproduction, adaptation, or translation without prior written permission is prohibited, except as allowed under the copyright laws.

**HP Part Number 70310-60038
A2 Power Supply/Processor**

Reference Designator	HP Part Number	Qty	Description	Mfr Code	Mfr Part Number
C1	0160-4808	1	CAP-FXD 470pF +5% 100 V CER C0G	28480	0160-4808
C2	0160-4808	1	CAP-FXD 470pF +5% 100 V CER C0G	28480	0160-4808
C3	0160-4808	1	CAP-FXD 470pF +5% 100 V CER C0G	28480	0160-4808
C4	0160-4808	1	CAP-FXD 470pF +5% 100 V CER C0G	28480	0160-4808
C5	0160-6586	1	CAP-FXD 6800pF +5% 100 V POLYC-FL	06127	FKC 2
C6	0160-6586	1	CAP-FXD 6800pF +5% 100 V POLYC-FL	06127	FKC 2
C7	0160-6586	1	CAP-FXD 6800pF +5% 100 V POLYC-FL	06127	FKC 2
C13	0160-4557	1	CAP-FXD 0.1uF +20% 50 V CER X7R	28480	0160-4557
C14	0160-4557	1	CAP-FXD 0.1uF +20% 50 V CER X7R	28480	0160-4557
C15	0160-4557	1	CAP-FXD 0.1uF +20% 50 V CER X7R	28480	0160-4557
C16	0160-4557	1	CAP-FXD 0.1uF +20% 50 V CER X7R	28480	0160-4557
C17	0160-4557	1	CAP-FXD 0.1uF +20% 50 V CER X7R	28480	0160-4557
C18	0180-4135	1	CAP-FXD 33uF +10% 10 V TA	28480	0180-4135
C19	0180-4135	1	CAP-FXD 33uF +10% 10 V TA	28480	0180-4135
C20	0180-4135	1	CAP-FXD 33uF +10% 10 V TA	28480	0180-4135
C21	0180-3888	1	CAP-FXD 15uF +10% 25 V TA	28480	0180-3888
C22	0180-3888	1	CAP-FXD 15uF +10% 25 V TA	28480	0180-3888
C23	0160-4801	1	CAP-FXD 100pF +5% 100 V CER C0G	28480	0160-4801
C24	0160-4830	1	CAP-FXD 2200pF +10% 100 V CER X7R	28480	0160-4830
C25	0180-3532	1	CAP-FXD 560uF +100% -10% 15 V AL-ELCTLT	28480	0180-3532
C27	0180-3533	1	CAP-FXD 120uF +100% -10% 50 V AL-ELCTLT	28480	0180-3533
C28	0180-2984	1	CAP-FXD 47uF +20% 50 V AL-ELCTLT	28480	0180-2984
C29	0180-2984	1	CAP-FXD 47uF +20% 50 V AL-ELCTLT	28480	0180-2984
C30	0160-4557	1	CAP-FXD 0.1uF +20% 50 V CER X7R	28480	0160-4557
C31	0160-4557	1	CAP-FXD 0.1uF +20% 50 V CER X7R	28480	0160-4557
C33	0180-4135	1	CAP-FXD 33uF +10% 10 V TA	28480	0180-4135
C34	0180-4132	1	CAP-FXD 6.8uF +10% 35 V TA	28480	0180-4132
C35	0160-4557	1	CAP-FXD 0.1uF +20% 50 V CER X7R	28480	0160-4557
C36	0160-6586	1	CAP-FXD 6800pF +5% 100 V POLYC-FL	06127	FKC 2
C37	0160-6586	1	CAP-FXD 6800pF +5% 100 V POLYC-FL	06127	FKC 2
C38	0180-2984	1	CAP-FXD 47uF +20% 50 V AL-ELCTLT	28480	0180-2984
C39	0180-2984	1	CAP-FXD 47uF +20% 50 V AL-ELCTLT	28480	0180-2984
C40	0160-4801	1	CAP-FXD 100pF +5% 100 V CER C0G	28480	0160-4801
C41	0160-4801	1	CAP-FXD 100pF +5% 100 V CER C0G	28480	0160-4801
C126	0160-4557	1	CAP-FXD 0.1uF +20% 50 V CER X7R	28480	0160-4557

**Indicates factory-selected value*

HP Part Number 70310-60038
A2 Power Supply/Processor (continued)

Reference Designator	HP Part Number	Qty	Description	Mfr Code	Mfr Part Number
C201	0180-4136	1	CAP-FXD 10uF +-10% 20 V TA	28480	0180-4136
C202	0160-4788	1	CAP-FXD 18pF +-5% 100 V CER C0G	28480	0160-4788
C203	0160-4791	1	CAP-FXD 10pF +-5% 100 V CER C0G	28480	0160-4791
C205	0160-4554	1	CAP-FXD 0.01uF +-20% 50 V CER X7R	28480	0160-4554
C206	0160-4554	1	CAP-FXD 0.01uF +-20% 50 V CER X7R	28480	0160-4554
C208	0160-4554	1	CAP-FXD 0.01uF +-20% 50 V CER X7R	28480	0160-4554
C210	0160-4554	1	CAP-FXD 0.01uF +-20% 50 V CER X7R	28480	0160-4554
C211	0160-4554	1	CAP-FXD 0.01uF +-20% 50 V CER X7R	28480	0160-4554
C212	0160-4554	1	CAP-FXD 0.01uF +-20% 50 V CER X7R	28480	0160-4554
C224	0160-4554	1	CAP-FXD 0.01uF +-20% 50 V CER X7R	28480	0160-4554
CR1	1901-0693	1	DIODE-PWR RECT 100V 1A 200NS DO-41	28480	1901-0693
CR2	1901-0693	1	DIODE-PWR RECT 100V 1A 200NS DO-41	28480	1901-0693
CR3	1901-0693	1	DIODE-PWR RECT 100V 1A 200NS DO-41	28480	1901-0693
CR4	1901-0693	1	DIODE-PWR RECT 100V 1A 200NS DO-41	28480	1901-0693
CR5	1901-0693	1	DIODE-PWR RECT 100V 1A 200NS DO-41	28480	1901-0693
CR6	1901-0693	1	DIODE-PWR RECT 100V 1A 200NS DO-41	28480	1901-0693
CR7	1901-0693	1	DIODE-PWR RECT 100V 1A 200NS DO-41	28480	1901-0693
CR8	1901-0693	1	DIODE-PWR RECT 100V 1A 200NS DO-41	28480	1901-0693
CR9	1901-0693	1	DIODE-PWR RECT 100V 1A 200NS DO-41	28480	1901-0693
CR10	1901-0693	1	DIODE-PWR RECT 100V 1A 200NS DO-41	28480	1901-0693
CR11	1901-0693	1	DIODE-PWR RECT 100V 1A 200NS DO-41	28480	1901-0693
CR12	1901-0693	1	DIODE-PWR RECT 100V 1A 200NS DO-41	28480	1901-0693
CR16	1901-0743	1	DIODE-PWR RECT 1N4004 400V 1A DO-41	28480	1901-0743
CR17	1901-0743	1	DIODE-PWR RECT 1N4004 400V 1A DO-41	28480	1901-0743
CR19	1990-0487	1	LED-LAMP LUM-INT=2MCD BVR=5V	28480	1990-0487
CR21	1990-0487	1	LED-LAMP LUM-INT=2MCD BVR=5V	28480	1990-0487
CR23	1990-0487	1	LED-LAMP LUM-INT=2MCD BVR=5V	28480	1990-0487
CR24	1902-0025	1	DIODE-ZNR 10V 5% DO-35 PD=.4W TC=+.06%	28480	1902-0025
CR25	1902-0939	1	VOLTAGE SUPPRESSOR VR=5.0V, IR=300UA @	28480	1902-0939
CR26	1902-0939	1	VOLTAGE SUPPRESSOR VR=5.0V, IR=300UA @	28480	1902-0939
CR110	1901-0049	1	DIODE-PWR RECT 50V 750MA DO-29	28480	1901-0049
CR111	1901-0049	1	DIODE-PWR RECT 50V 750MA DO-29	28480	1901-0049
CR112	1902-3080	1	DIODE-ZNR 4.53V 2% DO-35 PD=.4W	28480	1902-3080
CR113	1902-3037	1	DIODE-ZNR 3.16V 2% DO-7 PD=.4W TC=-.064%	28480	1902-3037
CR114	1902-3245	1	DIODE-ZNR 21.5V 5% DO-35 PD=.4W	28480	1902-3245

**HP Part Number 70310-60038
A2 Power Supply/Processor (continued)**

Reference Designator	HP Part Number	Qty	Description	Mfr Code	Mfr Part Number
CR115	1901-0050	1	DIODE-SWITCHING 80V 200MA 2NS DO-35	28480	1901-0050
CR201	1901-0050	1	DIODE-SWITCHING 80V 200MA 2NS DO-35	28480	1901-0050
CR202	1901-0050	1	DIODE-SWITCHING 80V 200MA 2NS DO-35	28480	1901-0050
CR203	1901-0050	1	DIODE-SWITCHING 80V 200MA 2NS DO-35	28480	1901-0050
CR204	1901-0050	1	DIODE-SWITCHING 80V 200MA 2NS DO-35	28480	1901-0050
CR205	1901-0050	1	DIODE-SWITCHING 80V 200MA 2NS DO-35	28480	1901-0050
CR206	1901-0050	1	DIODE-SWITCHING 80V 200MA 2NS DO-35	28480	1901-0050
CR207	1901-0050	1	DIODE-SWITCHING 80V 200MA 2NS DO-35	28480	1901-0050
CR208	1901-0050	1	DIODE-SWITCHING 80V 200MA 2NS DO-35	28480	1901-0050
CR209	1901-0050	1	DIODE-SWITCHING 80V 200MA 2NS DO-35	28480	1901-0050
CR210	1901-0050	1	DIODE-SWITCHING 80V 200MA 2NS DO-35	28480	1901-0050
CR211	1901-0050	1	DIODE-SWITCHING 80V 200MA 2NS DO-35	28480	1901-0050
CR212	1901-0050	1	DIODE-SWITCHING 80V 200MA 2NS DO-35	28480	1901-0050
F1	2110-0695	1	FUSE-BIPIN 1.5A 125V NTD RA UL-LST	28480	2110-0695
FH1	2110-0554	1	FUHLR-BPN-SKT 5A 125V	28480	2110-0554
J1	1251-5927	1	CONN-POST TYPE .100-PIN-SPCG-MTG-END	28480	1251-5927
J2	1251-4928	1	CONN-POST TYPE .100-PIN-SPCG-MTG-END	28480	1251-4928
J3	1251-4928	1	CONN-POST TYPE .100-PIN-SPCG-MTG-END	28480	1251-4928
J4	1251-4928	1	CONN-POST TYPE .100-PIN-SPCG-MTG-END	28480	1251-4928
J5	1250-0257	1	CONNECTOR-RF SMB PLUG PC-W-STDFS 50-OHM	28480	1250-0257
J6	1252-0177	1	CONN-POST TYPE .100-PIN-SPCG-MTG-END	28480	1252-0177
L1	5180-2375	1	COIL 35/75UH	28480	5180-2375
L2	70310-80021	1	L:300UH SPLT POT	28480	70310-80021
L3	70310-80020	1	L:1.9NH RM6 SPLT	28480	70310-80020
L4	70310-80019	1	L:725UH RM6 CORE	28480	70310-80019
L5	9170-0016	1	CORE-SHIELDING BEAD	28480	9170-0016
L201	9100-1788	1	CORE-FERRITE CHOKE-WIDEBAND;IMP:>680	11212	LB2/2.5ZB
L202	9100-2558	1	INDUCTOR RF-CH-MLD 47UH +10%	28480	9100-2558
MP3	0470-0440		COATING DOW CORNING 3140 SIL-RBR-RTV 1P	04514	3140
MP4	0460-0245		TAPE-ELEC .188-IN-W .0025-IN-T POLYE-FLM	04726	56
MP8	0460-0245		TAPE-ELEC .188-IN-W .0025-IN-T POLYE-FLM	04726	56
NONE	70310-80015	1	PRGM PAL(#201)	28480	70310-80015
Q1	1853-0363	1	TRANSISTOR PNP SI TO-220AB PD=50W	28480	1853-0363
Q2	1855-0565	1	TRANSISTOR MOSFET N-CHAN E-MODE TO-220	28480	1855-0565
Q3	1855-0565	1	TRANSISTOR MOSFET N-CHAN E-MODE TO-220	28480	1855-0565

**Indicates factory-selected value*

**HP Part Number 70310-60038
A2 Power Supply/Processor (continued)**

Reference Designator	HP Part Number	Qty	Description	Mfr Code	Mfr Part Number
Q4	1855-0565	1	TRANSISTOR MOSFET N-CHAN E-MODE TO-220	28480	1855-0565
Q102	1854-0215	1	TRANSISTOR NPN SI TO-92 PD=625MW	28480	1854-0215
Q103	1853-0036	1	TRANSISTOR PNP SI TO-92 PD=625MW	28480	1853-0036
Q107	1853-0449	1	TRANSISTOR PNP SI DARL PD=1W	28480	1853-0449
Q108	1854-0215	1	TRANSISTOR NPN SI TO-92 PD=625MW	28480	1854-0215
R1	0698-3429	1	RESISTOR 19.6 +1% .125W TF TC=0+-100	28480	0698-3429
R2	0757-0180	1	RESISTOR 31.6 +1% .125W TF TC=0+-100	28480	0757-0180
R3	0757-0180	1	RESISTOR 31.6 +1% .125W TF TC=0+-100	28480	0757-0180
R5	0757-0416	1	RESISTOR 511 +1% .125W TF TC=0+-100	28480	0757-0416
R7	0757-0278	1	RESISTOR 1.78K +1% .125W TF TC=0+-100	28480	0757-0278
R9	0698-0084	1	RESISTOR 2.15K +1% .125W TF TC=0+-100	28480	0698-0084
R10	0699-0047	1	RESISTOR 1.28K +0.25% .125W TF TC=0+-50	28480	0699-0047
R11	0699-0271	1	RESISTOR 715 +0.1% .125W TF TC=0+-25	28480	0699-0271
R12	0699-0124	1	RESISTOR 10.2K +0.1% .125W TF TC=0+-25	28480	0699-0124
R13	0698-8655	1	RESISTOR 13.3K +0.1% .125W TF TC=0+-50	28480	0698-8655
R14	0698-3449	1	RESISTOR 28.7K +1% .125W TF TC=0+-100	28480	0698-3449
R15	0698-3449	1	RESISTOR 28.7K +1% .125W TF TC=0+-100	28480	0698-3449
R16	0698-3449	1	RESISTOR 28.7K +1% .125W TF TC=0+-100	28480	0698-3449
R17	0698-3449	1	RESISTOR 28.7K +1% .125W TF TC=0+-100	28480	0698-3449
R18	0698-3449	1	RESISTOR 28.7K +1% .125W TF TC=0+-100	28480	0698-3449
R19	0757-0462	1	RESISTOR 75K +1% .125W TF TC=0+-100	28480	0757-0462
R20	0757-0464	1	RESISTOR 90.9K +1% .125W TF TC=0+-100	28480	0757-0464
R21	0698-3451	1	RESISTOR 133K +1% .125W TF TC=0+-100	28480	0698-3451
R22	0757-0442	1	RESISTOR 10K +1% .125W TF TC=0+-100	28480	0757-0442
R23	0698-3449	1	RESISTOR 28.7K +1% .125W TF TC=0+-100	28480	0698-3449
R24	0698-4494	1	RESISTOR 35.7K +1% .125W TF TC=0+-100	28480	0698-4494
R25	0698-3446	1	RESISTOR 383 +1% .125W TF TC=0+-100	28480	0698-3446
R27	0757-0421	1	RESISTOR 825 +1% .125W TF TC=0+-100	28480	0757-0421
R29	0698-6360	1	RESISTOR 10K +0.1% .125W TF TC=0+-25	28480	0698-6360
R30	0698-6360	1	RESISTOR 10K +0.1% .125W TF TC=0+-25	28480	0698-6360
R31	0698-6360	1	RESISTOR 10K +0.1% .125W TF TC=0+-25	28480	0698-6360
R32	0698-6360	1	RESISTOR 10K +0.1% .125W TF TC=0+-25	28480	0698-6360
R33	0757-0416	1	RESISTOR 511 +1% .125W TF TC=0+-100	28480	0757-0416
R34	0757-0416	1	RESISTOR 511 +1% .125W TF TC=0+-100	28480	0757-0416
R35	0757-0346	1	RESISTOR 10 +1% .125W TF TC=0+-100	28480	0757-0346

**HP Part Number 70310-60038
A2 Power Supply/Processor (continued)**

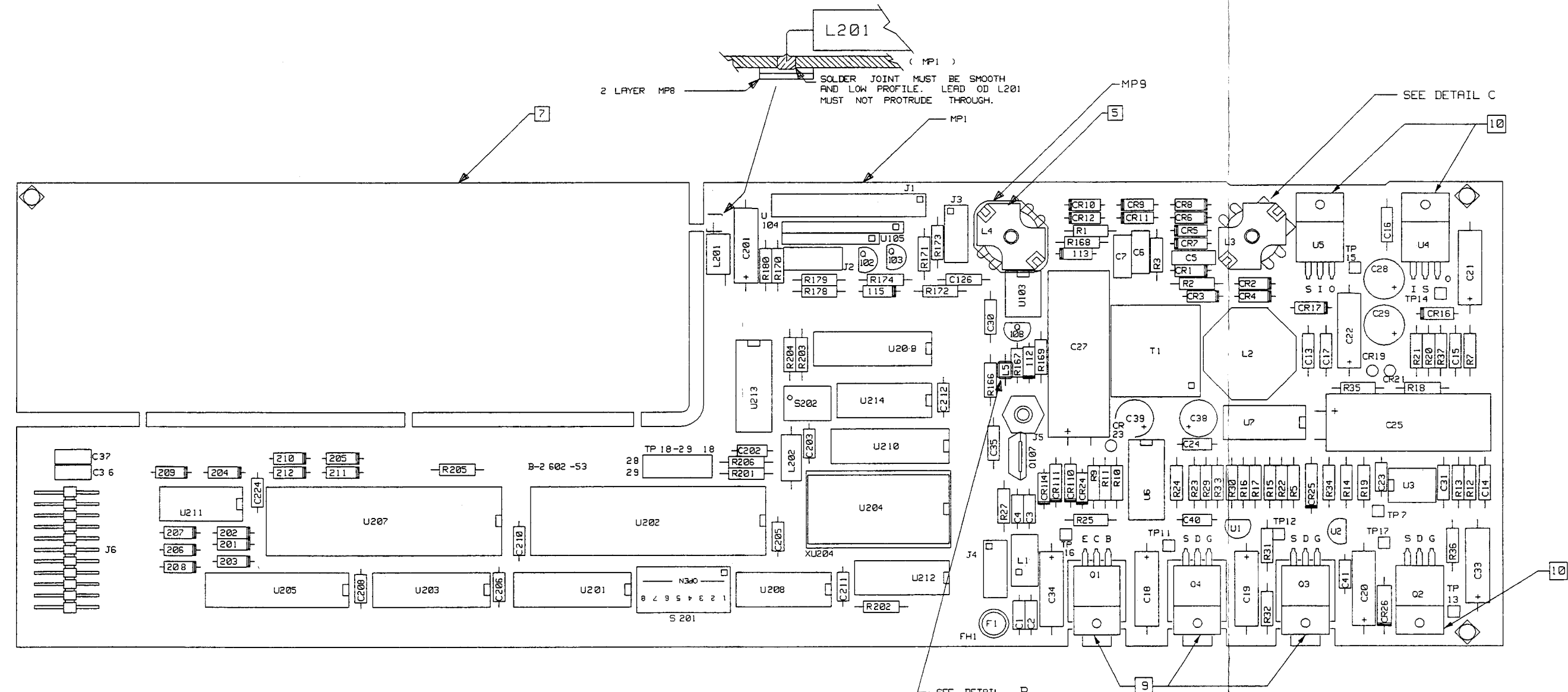
Reference Designator	HP Part Number	Qty	Description	Mfr Code	Mfr Part Number
R36	0757-0346	1	RESISTOR 10 +1% .125W TF TC=0+-100	28480	0757-0346
R37	0757-0346	1	RESISTOR 10 +1% .125W TF TC=0+-100	28480	0757-0346
R166	0698-3154	1	RESISTOR 4.22K +1% .125W TF TC=0+-100	28480	0698-3154
R167	0698-7267	1	RESISTOR 19.6K +1% .05W TF TC=0+-100	28480	0698-7267
R168	0757-0421	1	RESISTOR 825 +-1% .125W TF TC=0+-100	28480	0757-0421
R169	0757-0421	1	RESISTOR 825 +-1% .125W TF TC=0+-100	28480	0757-0421
R170	0757-0442	1	RESISTOR 10K +1% .125W TF TC=0+-100	28480	0757-0442
R171	0698-3451	1	RESISTOR 133K +-1% .125W TF TC=0+-100	28480	0698-3451
R172	0698-3451	1	RESISTOR 133K +-1% .125W TF TC=0+-100	28480	0698-3451
R173	0757-0444	1	RESISTOR 12.1K +1% .125W TF TC=0+-100	28480	0757-0444
R174	0757-0439	1	RESISTOR 6.81K +1% .125W TF TC=0+-100	28480	0757-0439
R178	0757-0442	1	RESISTOR 10K +1% .125W TF TC=0+-100	28480	0757-0442
R179	0757-0279	1	RESISTOR 3.16K +1% .125W TF TC=0+-100	28480	0757-0279
R180	0757-0416	1	RESISTOR 511 +-1% .125W TF TC=0+-100	28480	0757-0416
R201	0757-0442	1	RESISTOR 10K +1% .125W TF TC=0+-100	28480	0757-0442
R202	0757-0442	1	RESISTOR 10K +1% .125W TF TC=0+-100	28480	0757-0442
R203	0757-0442	1	RESISTOR 10K +1% .125W TF TC=0+-100	28480	0757-0442
R204	0757-0442	1	RESISTOR 10K +1% .125W TF TC=0+-100	28480	0757-0442
R205	0757-0442	1	RESISTOR 10K +1% .125W TF TC=0+-100	28480	0757-0442
R206	0757-0442	1	RESISTOR 10K +1% .125W TF TC=0+-100	28480	0757-0442
S201	3101-2094	1	SWITCH-DIP RKR 8-1A 0.15A 30VDC	28480	3101-2094
S202	3101-0408	1	SWITCH-DIP SL DPST 0.1A 50VDC	28480	3101-0408
T1	70310-80009	1	XFMR 40KHZ 25W	28480	70310-80009
TP7	0360-1682	1	TERMINAL-STUD SGL-TUR PRESS-MTG	05364	14758-8
TP11	0360-1682	1	TERMINAL-STUD SGL-TUR PRESS-MTG	05364	14758-8
TP12	0360-1682	1	TERMINAL-STUD SGL-TUR PRESS-MTG	05364	14758-8
TP13	0360-1682	1	TERMINAL-STUD SGL-TUR PRESS-MTG	05364	14758-8
TP14	0360-1682	1	TERMINAL-STUD SGL-TUR PRESS-MTG	05364	14758-8
TP15	0360-1682	1	TERMINAL-STUD SGL-TUR PRESS-MTG	05364	14758-8
TP16	0360-1682	1	TERMINAL-STUD SGL-TUR PRESS-MTG	05364	14758-8
TP17	0360-0077	1	TERMINAL-STUD SGL-TUR SWGFRM-MTG	01461	1601-HP
TP18	1251-5439		CONN-POST TYPE .100-PIN-SPCG-MTG-END	28480	1251-5439
TP19	1251-5439		CONN-POST TYPE .100-PIN-SPCG-MTG-END	28480	1251-5439
TP20	1251-5439		CONN-POST TYPE .100-PIN-SPCG-MTG-END	28480	1251-5439
TP21	1251-5439		CONN-POST TYPE .100-PIN-SPCG-MTG-END	28480	1251-5439

**Indicates factory-selected value*

**HP Part Number 70310-60038
A2 Power Supply/Processor (continued)**

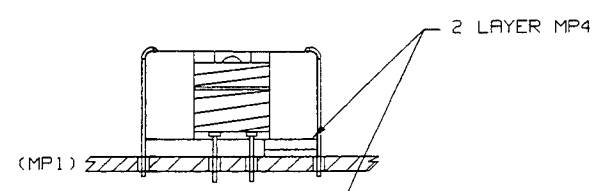
Reference Designator	HP Part Number	Qty	Description	Mfr Code	Mfr Part Number
TP22	1251-5439		CONN-POST TYPE .100-PIN-SPCG-MTG-END	28480	1251-5439
TP23	1251-5439		CONN-POST TYPE .100-PIN-SPCG-MTG-END	28480	1251-5439
TP24	1251-5439		CONN-POST TYPE .100-PIN-SPCG-MTG-END	28480	1251-5439
TP25	1251-5439		CONN-POST TYPE .100-PIN-SPCG-MTG-END	28480	1251-5439
TP26	1251-5439		CONN-POST TYPE .100-PIN-SPCG-MTG-END	28480	1251-5439
TP27	1251-5439		CONN-POST TYPE .100-PIN-SPCG-MTG-END	28480	1251-5439
TP28	1251-5439		CONN-POST TYPE .100-PIN-SPCG-MTG-END	28480	1251-5439
TP29	1251-5439		CONN-POST TYPE .100-PIN-SPCG-MTG-END	28480	1251-5439
U1	1826-1115	1	IC PWR MGT-V-REF-ADJ 0/37V TO-92 PKG	28480	1826-1115
U2	1826-1115	1	IC PWR MGT-V-REF-ADJ 0/37V TO-92 PKG	28480	1826-1115
U3	1826-1227	1	IC OP AMP GP 8 PIN DIP-C	28480	1826-1227
U4	1826-0147	1	IC PWR MGT-V-REG-FXD-POS 11.5/12.5V	28480	1826-0147
U5	1826-0221	1	IC PWR MGT-V-REG-FXD-NEG -11.5/-12.5V	28480	1826-0221
U6	1826-0409	1	IC PWR MGT-V-REG-ADJ-POS 2/37V 14 PINS	28480	1826-0409
U7	1826-0759	1	IC COMPARATOR GP QUAD 14 PIN DIP-C	28480	1826-0759
U103	1826-0412	1	IC COMPARATOR PRCN DUAL 8 PIN DIP-P	28480	1826-0412
U104	1810-0275	1	NETWORK-RES 10-SIP 1.0K OHM X 9	28480	1810-0275
U105	1810-0204	1	NETWORK-RES 8-SIP 1.0K OHM X 7	28480	1810-0204
U202	5181-5039	1	MCU PROGRAMMED	28480	5181-5039
U203	1820-2102	1	IC LCH TTL/LS TRANSPARENT OCTL	28480	1820-2102
U204	70310-80002	1	PRGM EEROM(U204)	28480	70310-80002
U205	1820-3426	1	IC TRANSCEIVER TTL/S BUS 9-BIT	28480	1820-3426
U207	1820-8731	1	IC-ASIC GT-ARY 2.01K GATES CMOS 6772	28480	1820-8731
U208	1820-2056	1	IC FF TTL/LS D-TYPE POS-EDGE-TRIG COM	28480	1820-2056
U209	1820-2024	1	IC DRVR TTL/LS BUS OCTL	28480	1820-2024
U210	1820-2024	1	IC DRVR TTL/LS BUS OCTL	28480	1820-2024
U211	1820-1199	1	IC INV TTL/LS HEX 1-INP	28480	1820-1199
U212	1810-0810	1	NETWORK-RC 16 PIN DIP; 7 RESISTORS: 100	28480	1810-0810
U213	1810-0810	1	NETWORK-RC 16 PIN DIP; 7 RESISTORS: 100	28480	1810-0810
U214	1810-0810	1	NETWORK-RC 16 PIN DIP; 7 RESISTORS: 100	28480	1810-0810

SYM	REVISIONS	APPROVED	DATE
A	AS ISSUED PER PCO 53-06250		
B	REMOVED DETAIL A, MODIFIED NOTES		
C	ADDED DETAIL C PER ICN 4965	JB	



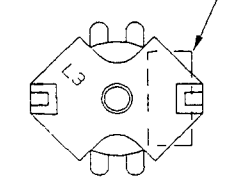
NOTES: UNLESS OTHERWISE SPECIFIED

1. DIMENSIONS ARE IN MILLIMETERS.
2. MAXIMUM COMPONENT HEIGHT 15.3.
3. MAXIMUM LEAD TRIM LENGTH 1.5.
4. LETTER DESIGNATION FOR ALL DIODES IS 'CR' WHERE NOT SHOWN.
5. PLACE 12mm LENGTH OF SHRINK TUBING MP9 AROUND L4 AND SHRINK TIGHT. USE NO MORE HEAT THAN NECESSARY.
7. REMOVE BREAKOFF TAB AFTER WAVE SOLDER.
8. PLACE 7MM LENGTH OF SHRINK TUBING (MP10) AROUND L5 AND SHRINK TIGHT.
9. Q1,3,4 MUST BE RAISED OFF BOARD 0.56.
10. ATTACH Q2,U4,U5 TO BOARD WITH MP-3 (RTV).



NOTE: MP10 MUST EXTEND OVER THE ENDS OF L5 TO ASSURE ELECTRICAL INSULATION

DETAIL B
(SCALE: NONE)



DETAIL C
(SCALE: NONE)

METRIC

UNLESS OTHERWISE SPECIFIED, DIMENSIONS ARE IN INCHES.	DRAWN BY	DATE	BOARD ASSEMBLY- POWER SUPPLY PROCESSOR	PART NUMBER D-70310-60038
	ENGINEER/CHECKER			
TOLERANCES: XX.XXX ±.015	RELEASED TO PROD.		SCALE	SHEET OF
SEE CORP. STD. 600	SUPERSEDES DWG.			



Component-Level Information Packet for 70310-60002

A2 Power Supply/Processor



**HP Part No. 70310-90063
Printed in USA December 1994**

Notice. The information contained in this document is subject to change without notice.

Hewlett-Packard makes no warranty of any kind with regard to this material, including, but not limited to, the implied warranties of merchantability and fitness for a particular purpose. Hewlett-Packard shall not be liable for errors contained herein or for incidental or consequential damages in connection with the furnishing, performance, or use of this material.

©Copyright Hewlett-Packard Company 1989, 1994

All Rights Reserved. Reproduction, adaptation, or translation without prior written permission is prohibited, except as allowed under the copyright laws.

HP Part Number 70310-60002
A2 Power Supply/Processor Board Assembly

Reference Designation	HP Part Number	C D	Qty	Description	Mfr Code	Mfr Part Number
A2	70310-60002	6	1	BD ASSY-POWER SUPPLY/PROCESSOR	28480	70310-60002
A2C1	0160-4808	4	4	CAPACITOR-FXD 470PF +-5% 100VDC CER	28480	0160-4808
A2C2	0160-4808	4		CAPACITOR-FXD 470PF +-5% 100VDC CER	28480	0160-4808
A2C3	0160-4808	4		CAPACITOR-FXD 470PF +-5% 100VDC CER	28480	0160-4808
A2C4	0160-4808	4		CAPACITOR-FXD 470PF +-5% 100VDC CER	28480	0160-4808
A2C5	0160-6586	9	5	CAPACITOR-FXD 6800PF +-5% 100VDC POLYC	28480	0160-6586
A2C6	0160-6586	9		CAPACITOR-FXD 6800PF +-5% 100VDC POLYC	28480	0160-6586
A2C7	0160-6586	9		CAPACITOR-FXD 6800PF +-5% 100VDC POLYC	28480	0160-6586
A2C13	0160-4557	0	9	CAPACITOR-FXD .1UF +-20% 50VDC CER	16299	CAC04X7R104M050A
A2C14	0160-4557	0		CAPACITOR-FXD .1UF +-20% 50VDC CER	16299	CAC04X7R104M050A
A2C15	0160-4557	0		CAPACITOR-FXD .1UF +-20% 50VDC CER	16299	CAC04X7R104M050A
A2C16	0160-4557	0		CAPACITOR-FXD .1UF +-20% 50VDC CER	16299	CAC04X7R104M050A
A2C17	0160-4557	0		CAPACITOR-FXD .1UF +-20% 50VDC CER	16299	CAC04X7R104M050A
A2C18	0180-0229	7	4	CAPACITOR-FXD 33UF+-10% 10VDC TA	56289	150D336X9010B2
A2C19	0180-0229	7		CAPACITOR-FXD 33UF+-10% 10VDC TA	56289	150D336X9010B2
A2C20	0180-0229	7		CAPACITOR-FXD 33UF+-10% 10VDC TA	56289	150D336X9010B2
A2C21	0180-1746	5	2	CAPACITOR-FXD 15UF+-10% 20VDC TA	56289	150D156X9020B2
A2C22	0180-1746	5		CAPACITOR-FXD 15UF+-10% 20VDC TA	56289	150D156X9020B2
A2C23	0160-4801	7	3	CAPACITOR-FXD 100PF +-5% 100VDC CER	28480	0160-4801
A2C24	0160-4830	2	1	CAPACITOR-FXD 2200PF +-10% 100VDC CER	28480	0160-4830
A2C25	0180-3532	1	1	CAPACITOR-FXD 560UF+100-10% 15VDC AL	28480	0180-3532
A2C27	0180-3533	2	1	CAPACITOR-FXD 120UF+100-10% 50VDC AL	28480	0180-3533
A2C28	0180-3339	6	4	CAPACITOR-FXD 47UF+-20% 50VDC AL	28480	0180-3339
A2C29	0180-3339	6		CAPACITOR-FXD 47UF+-20% 50VDC AL	28480	0180-3339
A2C30	0160-4557	0		CAPACITOR-FXD .1UF +-20% 50VDC CER	16299	CAC04X7R104M050A
A2C31	0160-4557	0		CAPACITOR-FXD .1UF +-20% 50VDC CER	16299	CAC04X7R104M050A
A2C33	0180-0229	7		CAPACITOR-FXD 33UF+-10% 10VDC TA	56289	150D336X9010B2
A2C34	0180-0116	1	1	CAPACITOR-FXD 6.8UF+-10% 35VDC TA	56289	150D685X9035B2
A2C35	0160-4557	0		CAPACITOR-FXD .1UF +-20% 50VDC CER	16299	CAC04X7R104M050A
A2C36	0160-6586	9		CAPACITOR-FXD 6800PF +-5% 100VDC POLYC	28480	0160-6586
A2C37	0160-6586	9		CAPACITOR-FXD 6800PF +-5% 100VDC POLYC	28480	0160-6586
A2C38	0180-3339	6		CAPACITOR-FXD 47UF+-20% 50VDC AL	28480	0180-3339
A2C39	0180-3339	6		CAPACITOR-FXD 47UF+-20% 50VDC AL	28480	0180-3339
A2C40	0160-4801	7		CAPACITOR-FXD 100PF +-5% 100VDC CER	28480	0160-4801
A2C41	0160-4801	7		CAPACITOR-FXD 100PF +-5% 100VDC CER	28480	0160-4801
A2C126	0160-4557	0		CAPACITOR-FXD .1UF +-20% 50VDC CER	16299	CAC04X7R104M050A
A2C201	0180-0374	3	1	CAPACITOR-FXD 10UF+-10% 20VDC TA	56289	150D106X9020B2
A2C202	0160-4788	9	1	CAPACITOR-FXD 18PF +-5% 100VDC CER 0+-30	28480	0160-4788
A2C203	0160-4791	4	1	CAPACITOR-FXD 10PF +-5% 100VDC CER 0+-30	28480	0160-4791
A2C205	0160-4554	7	7	CAPACITOR-FXD .01UF +-20% 50VDC CER	28480	0160-4554
A2C206	0160-4554	7		CAPACITOR-FXD .01UF +-20% 50VDC CER	28480	0160-4554
A2C208	0160-4554	7		CAPACITOR-FXD .01UF +-20% 50VDC CER	28480	0160-4554
A2C210	0160-4554	7		CAPACITOR-FXD .01UF +-20% 50VDC CER	28480	0160-4554
A2C211	0160-4554	7		CAPACITOR-FXD .01UF +-20% 50VDC CER	28480	0160-4554
A2C212	0160-4554	7		CAPACITOR-FXD .01UF +-20% 50VDC CER	28480	0160-4554
A2C224	0160-4554	7		CAPACITOR-FXD .01UF +-20% 50VDC CER	28480	0160-4554
A2CR1	1901-0693	0	12	DIODE-PWR RECT 100V 1A 200NS DO-41	04713	1N4934
A2CR2	1901-0693	0		DIODE-PWR RECT 100V 1A 200NS DO-41	04713	1N4934
A2CR3	1901-0693	0		DIODE-PWR RECT 100V 1A 200NS DO-41	04713	1N4934
A2CR4	1901-0693	0		DIODE-PWR RECT 100V 1A 200NS DO-41	04713	1N4934
A2CR5	1901-0693	0		DIODE-PWR RECT 100V 1A 200NS DO-41	04713	1N4934
A2CR6	1901-0693	0		DIODE-PWR RECT 100V 1A 200NS DO-41	04713	1N4934

*Indicates factory-selected value

HP Part Number 70310-60002
A2 Power Supply/Processor Board Assembly

Reference Designation	HP Part Number	C D	Qty	Description	Mfr Code	Mfr Part Number
A2CR7	1901-0693	0		DIODE-PWR RECT 100V 1A 200NS DO-41	04713	1N4934
A2CR8	1901-0693	0		DIODE-PWR RECT 100V 1A 200NS DO-41	04713	1N4934
A2CR9	1901-0693	0		DIODE-PWR RECT 100V 1A 200NS DO-41	04713	1N4934
A2CR10	1901-0693	0		DIODE-PWR RECT 100V 1A 200NS DO-41	04713	1N4934
A2CR11	1901-0693	0		DIODE-PWR RECT 100V 1A 200NS DO-41	04713	1N4934
A2CR12	1901-0693	0		DIODE-PWR RECT 100V 1A 200NS DO-41	04713	1N4934
A2CR16	1901-0743	1	2	DIODE-PWR RECT 1N4004 400V 1A DO-41	01295	1N4004
A2CR17	1901-0743	1		DIODE-PWR RECT 1N4004 400V 1A DO-41	01295	1N4004
A2CR19	1990-0487	7	3	LED-LAMP LUM-INT=2MCD BVR=5V	28480	HLMP-1401
A2CR21	1990-0487	7		LED-LAMP LUM-INT=2MCD BVR=5V	28480	HLMP-1401
A2CR23	1990-0487	7		LED-LAMP LUM-INT=2MCD BVR=5V	28480	HLMP-1401
A2CR24	1902-0025	4	1	DIODE-ZNR 10V 5% DO-35 PD=.4W TC=+.06%	28480	1902-0025
A2CR25	1902-0939	9	2	VOLTAGE SUPPRESSOR VR=5.0V,VC=8V	11961	1N5908
A2CR26	1902-0939	9		VOLTAGE SUPPRESSOR VR=5.0V,VC=8V	11961	1N5908
A2CR110	1901-0049	0	2	DIODE-PWR RECT 50V 750MA DO-29	28480	1901-0049
A2CR111	1901-0049	0		DIODE-PWR RECT 50V 750MA DO-29	28480	1901-0049
A2CR112	1902-3080	7	1	DIODE-ZNR 4.53V 2% DO-35 PD=.4W	28480	1902-3080
A2CR113	1902-3037	4	1	DIODE-ZNR 3.16V 2% DO-7 PD=.4W TC=-.064%	28480	1902-3037
A2CR114	1902-3245	6	1	DIODE-ZNR 21.5V 5% DO-35 PD=.4W	28480	1902-3245
A2CR115	1901-0050	3	13	DIODE-SWITCHING 80V 200MA 2NS DO-35	9N171	1N4150
A2CR201	1901-0050	3		DIODE-SWITCHING 80V 200MA 2NS DO-35	9N171	1N4150
A2CR202	1901-0050	3		DIODE-SWITCHING 80V 200MA 2NS DO-35	9N171	1N4150
A2CR203	1901-0050	3		DIODE-SWITCHING 80V 200MA 2NS DO-35	9N171	1N4150
A2CR204	1901-0050	3		DIODE-SWITCHING 80V 200MA 2NS DO-35	9N171	1N4150
A2CR205	1901-0050	3		DIODE-SWITCHING 80V 200MA 2NS DO-35	9N171	1N4150
A2CR206	1901-0050	3		DIODE-SWITCHING 80V 200MA 2NS DO-35	9N171	1N4150
A2CR207	1901-0050	3		DIODE-SWITCHING 80V 200MA 2NS DO-35	9N171	1N4150
A2CR208	1901-0050	3		DIODE-SWITCHING 80V 200MA 2NS DO-35	9N171	1N4150
A2CR209	1901-0050	3		DIODE-SWITCHING 80V 200MA 2NS DO-35	9N171	1N4150
A2CR210	1901-0050	3		DIODE-SWITCHING 80V 200MA 2NS DO-35	9N171	1N4150
A2CR211	1901-0050	3		DIODE-SWITCHING 80V 200MA 2NS DO-35	9N171	1N4150
A2CR212	1901-0050	3		DIODE-SWITCHING 80V 200MA 2NS DO-35	9N171	1N4150
A2F1	2110-0695	6	1	FUSE-BIPIN 1.5A 125V NTD .348X.25 UL	28480	2110-0695
A2FH1	2110-0554	6	1	FUSEHOLDER-BIPIN SKT 5A 125 V	75915	281005
A2J1	1251-5927	4	1	CONNECTOR 26-PIN M POST TYPE	28480	1251-5927
A2J2	1251-4928	3	4	CONNECTOR 10-PIN M POST TYPE	22526	65611-110
A2J3	1251-4928	3		CONNECTOR 10-PIN M POST TYPE	22526	65611-110
A2J3	1251-4928	3		CONNECTOR 10-PIN M POST TYPE	22526	65611-110
A2J4	1251-4928	3		CONNECTOR 10-PIN M POST TYPE	22526	65611-110
A2J5	1250-0257	1	1	CONNECTOR-RF SMB M PC 50-OHM	28480	1250-0257
A2J6	1252-0177	8	1	CONN-POST TYPE .100-PIN-SPCG 22-CONT	28480	1252-0177
A2L1	5180-2375	3	1	COIL 35/75UH	28480	5180-2375
A2L2	70310-80021	1	1	L:300UH SPLT POT	28480	70310-80021
A2L3	70310-80020	0	1	L:1.9NH RM6 SPLT	28480	70310-80020
A2L4	70310-80019	7	1	L:725UH RM6 CORE	28480	70310-80019
A2L5	9170-0016	8	1	CORE-SHIELDING BEAD	28480	9170-0016
A2L201	9100-1788	6	1	CORE-FERRITE CHOKE-WIDEBAND;IMP:680	28480	9100-1788
A2L202	9100-1629	4	1	INDUCTOR RF-CH-MLD 47UH 5%	28480	9100-1629
A2MP2	0340-0614	4	3	INSULATOR-XSTR POLYI HD-ANDZ	28480	0340-0614
A2MP3	0515-0894	3	6	SCREW-MACH M2.5 X 0.45 6MM-LG PAN-HD	28480	0515-0894
A2MP4	0535-0070	9	6	NUT-HEX DBL-CHAM M2.5 X 0.45 2MM-THK	00000	ORDER BY DESCRP.
A2MP5	3050-0890	6	6	WASHER-FL MTLCL 2.5 MM 2.78-MM-ID	28480	3050-0890

HP Part Number 70310-60002
A2 Power Supply/Processor Board Assembly

Reference Designation	HP Part Number	C D	Qty	Description	Mfr Code	Mfr Part Number
A2Q1	1853-0363	8	1	TRANSISTOR PNP SI PD=50W FT=20MHZ	03508	X45H281
A2Q2	1855-0565	6	3	TRANSISTOR MOSFET N-CHAN E-MODE TO-220	3L585	RFP10N12
A2Q3	1855-0565	6		TRANSISTOR MOSFET N-CHAN E-MODE TO-220	3L585	RFP10N12
A2Q4	1855-0565	6		TRANSISTOR MOSFET N-CHAN E-MODE TO-220	3L585	RFP10N12
A2Q102	1854-0215	1	2	TRANSISTOR NPN SI TO-92 PD=350MW	04713	2N3904
A2Q103	1853-0036	2	1	TRANSISTOR PNP SI PD=310MW FT=250MHZ	27014	2N3906
A2Q107	1853-0449	1	1	TRANSISTOR PNP SI DARL PD=1W	04713	MPS-U95
A2Q108	1854-0215	1		TRANSISTOR NPN SI TO-92 PD=350MW	04713	2N3904
A2R1	0698-3429	2	1	RESISTOR 19.6 1% .125W F TC=0+-100	03888	PME55-1/8-T0-19
A2R2	0757-0180	2	2	RESISTOR 31.6 1% .125W F TC=0+-100	28480	0757-0180
A2R3	0757-0180	2		RESISTOR 31.6 1% .125W F TC=0+-100	28480	0757-0180
A2R5	0757-0416	7	4	RESISTOR 511 1% .125W F TC=0+-100	24546	CT4-1/8-T0-511R
A2R7	0757-0278	9	1	RESISTOR 1.78K 1% .125W F TC=0+-100	24546	CT4-1/8-T0-1781
A2R9	0698-0084	9	1	RESISTOR 2.15K 1% .125W F TC=0+-100	24546	CT4-1/8-T0-2151
A2R10	0699-0047	6	1	RESISTOR 1.28K .25% .125W F TC=0+-50	28480	0699-0047
A2R11	0699-0271	8	1	RESISTOR 715 .1% .125W F TC=0+-25	28480	0699-0271
A2R12	0699-0124	0	1	RESISTOR 10.2K .1% .125W F TC=0+-25	28480	0699-0124
A2R13	0698-8655	6	1	RESISTOR 13.3K .1% .125W F TC=0+-50	28480	0698-8655
A2R14	0698-3449	6	6	RESISTOR 28.7K 1% .125W F TC=0+-100	24546	CT4-1/8-T0-2872
A2R15	0698-3449	6		RESISTOR 28.7K 1% .125W F TC=0+-100	24546	CT4-1/8-T0-2872
A2R16	0698-3449	6		RESISTOR 28.7K 1% .125W F TC=0+-100	24546	CT4-1/8-T0-2872
A2R17	0698-3449	6		RESISTOR 28.7K 1% .125W F TC=0+-100	24546	CT4-1/8-T0-2872
A2R18	0698-3449	6		RESISTOR 28.7K 1% .125W F TC=0+-100	24546	CT4-1/8-T0-2872
A2R19	0757-0462	3	1	RESISTOR 75K 1% .125W F TC=0+-100	24546	CT4-1/8-T0-7502
A2R20	0757-0464	5	1	RESISTOR 90.9K 1% .125W F TC=0+-100	24546	CT4-1/8-T0-9092
A2R21	0698-3451	0	3	RESISTOR 133K 1% .125W F TC=0+-100	24546	CT4-1/8-T0-1333
A2R22	0757-0442	9	9	RESISTOR 10K 1% .125W F TC=0+-100	24546	CT4-1/8-T0-1002
A2R23	0698-3449	6		RESISTOR 28.7K 1% .125W F TC=0+-100	24546	CT4-1/8-T0-2872
A2R24	0698-4494	3	1	RESISTOR 35.7K 1% .125W F TC=0+-100	24546	CT4-1/8-T0-3572
A2R25	0698-3446	3	1	RESISTOR 383 1% .125W F TC=0+-100	24546	CT4-1/8-T0-383R
A2R27	0757-0421	4	3	RESISTOR 825 1% .125W F TC=0+-100	24546	CT4-1/8-T0-825R
A2R29	0698-6360	6	4	RESISTOR 10K .1% .125W F TC=0+-25	28480	0698-6360
A2R30	0698-6360	6		RESISTOR 10K .1% .125W F TC=0+-25	28480	0698-6360
A2R31	0698-6360	6		RESISTOR 10K .1% .125W F TC=0+-25	28480	0698-6360
A2R32	0698-6360	6		RESISTOR 10K .1% .125W F TC=0+-25	28480	0698-6360
A2R33	0757-0416	7		RESISTOR 511 1% .125W F TC=0+-100	24546	CT4-1/8-T0-511R
A2R34	0757-0416	7		RESISTOR 511 1% .125W F TC=0+-100	24546	CT4-1/8-T0-511R
A2R35	0757-0346	2	3	RESISTOR 10 1% .125W F TC=0+-100	28480	0757-0346
A2R36	0757-0346	2		RESISTOR 10 1% .125W F TC=0+-100	28480	0757-0346
A2R37	0757-0346	2		RESISTOR 10 1% .125W F TC=0+-100	28480	0757-0346
A2R166	0698-3154	0	1	RESISTOR 4.22K 1% .125W F TC=0+-100	24546	CT4-1/8-T0-4221
A2R167	0698-7267	4	1	RESISTOR 19.6K 1% .05W F TC=0+-100	24546	C3-1/8-T0-1962-F
A2R168	0757-0421	4		RESISTOR 825 1% .125W F TC=0+-100	24546	CT4-1/8-T0-825R
A2R169	0757-0421	4		RESISTOR 825 1% .125W F TC=0+-100	24546	CT4-1/8-T0-825R
A2R170	0757-0442	9		RESISTOR 10K 1% .125W F TC=0+-100	24546	CT4-1/8-T0-1002
A2R171	0698-3451	0		RESISTOR 133K 1% .125W F TC=0+-100	24546	CT4-1/8-T0-1333
A2R172	0698-3451	0		RESISTOR 133K 1% .125W F TC=0+-100	24546	CT4-1/8-T0-1333
A2R173	0757-0444	1	1	RESISTOR 12.1K 1% .125W F TC=0+-100	24546	CT4-1/8-T0-1212
A2R174	0757-0439	4	1	RESISTOR 6.81K 1% .125W F TC=0+-100	24546	CT4-1/8-T0-6811
A2R178	0757-0442	9		RESISTOR 10K 1% .125W F TC=0+-100	24546	CT4-1/8-T0-1002
A2R179	0757-0279	0	1	RESISTOR 3.16K 1% .125W F TC=0+-100	24546	CT4-1/8-T0-3161
A2R180	0757-0416	7		RESISTOR 511 1% .125W F TC=0+-100	24546	CT4-1/8-T0-511R

**Indicates factory-selected value*

HP Part Number 70310-60002
A2 Power Supply/Processor Board Assembly

Reference Designation	HP Part Number	C D	Qty	Description	Mfr Code	Mfr Part Number
A2R201	0757-0442	9		RESISTOR 10K 1% .125W F TC=0+-100	24546	CT4-1/8-T0-1002
A2R202	0757-0442	9		RESISTOR 10K 1% .125W F TC=0+-100	24546	CT4-1/8-T0-1002
A2R203	0757-0442	9		RESISTOR 10K 1% .125W F TC=0+-100	24546	CT4-1/8-T0-1002
A2R204	0757-0442	9		RESISTOR 10K 1% .125W F TC=0+-100	24546	CT4-1/8-T0-1002
A2R205	0757-0442	9		RESISTOR 10K 1% .125W F TC=0+-100	24546	CT4-1/8-T0-1002
A2R206	0757-0442	9		RESISTOR 10K 1% .125W F TC=0+-100	24546	CT4-1/8-T0-1002
A2S201	3101-2094	5	1	SWITCH-RKR DIP-RKR-ASSY 8-1A .05A 30VDC	28480	3101-2094
A2S202	3101-0408	1	1	SWITCH-SL DPST DIP-SLIDE-ASSY .1A 50VDC	28480	3101-0408
A2T1	70310-80009	5	1	XFMR 40KHZ 25W	28480	70310-80009
A2TP7	0360-1682	0	7	TERMINAL-STUD SGL-TUR PRESS-MTG	28480	0360-1682
A2TP11	0360-1682	0		TERMINAL-STUD SGL-TUR PRESS-MTG	28480	0360-1682
A2TP12	0360-1682	0		TERMINAL-STUD SGL-TUR PRESS-MTG	28480	0360-1682
A2TP13	0360-1682	0		TERMINAL-STUD SGL-TUR PRESS-MTG	28480	0360-1682
A2TP14	0360-1682	0		TERMINAL-STUD SGL-TUR PRESS-MTG	28480	0360-1682
A2TP15	0360-1682	0		TERMINAL-STUD SGL-TUR PRESS-MTG	28480	0360-1682
A2TP16	0360-1682	0		TERMINAL-STUD SGL-TUR PRESS-MTG	28480	0360-1682
A2TP17	0360-0077	5	1	TERMINAL-STUD SGL-TUR SWGFRM-MTG	28480	0360-0077
A2TP18	1251-5439	3	12	CONNECTOR 12-PIN M POST TYPE	28480	1251-5439
A2TP19	1251-5439	3		CONNECTOR 12-PIN M POST TYPE	28480	1251-5439
A2TP20	1251-5439	3		CONNECTOR 12-PIN M POST TYPE	28480	1251-5439
A2TP21	1251-5439	3		CONNECTOR 12-PIN M POST TYPE	28480	1251-5439
A2TP22	1251-5439	3		CONNECTOR 12-PIN M POST TYPE	28480	1251-5439
A2TP23	1251-5439	3		CONNECTOR 12-PIN M POST TYPE	28480	1251-5439
A2TP24	1251-5439	3		CONNECTOR 12-PIN M POST TYPE	28480	1251-5439
A2TP25	1251-5439	3		CONNECTOR 12-PIN M POST TYPE	28480	1251-5439
A2TP26	1251-5439	3		CONNECTOR 12-PIN M POST TYPE	28480	1251-5439
A2TP27	1251-5439	3		CONNECTOR 12-PIN M POST TYPE	28480	1251-5439
A2TP28	1251-5439	3		CONNECTOR 12-PIN M POST TYPE	28480	1251-5439
A2TP29	1251-5439	3		CONNECTOR 12-PIN M POST TYPE	28480	1251-5439
A2U1	1826-1115	3	2	IC V RGLTR-V-REF-ADJ TO-92 PKG	01295	TL431CLP
A2U2	1826-1115	3		IC V RGLTR-V-REF-ADJ TO-92 PKG	01295	TL431CLP
A2U3	1826-1227	8	1	IC OP AMP GP 8-DIP-C PKG	28480	1826-1227
A2U4	1826-0147	9	1	IC 7812 V RGLTR TO-220	04713	MC7812CP
A2U5	1826-0221	0	1	IC V RGLTR TO-220	04713	MC7912CT
A2U6	1826-0409	6	1	IC 723 V RGLTR 14-DIP-C	04713	MC1723L
A2U7	1826-0759	9	1	IC COMPARATOR GP QUAD 14-DIP-C PKG	04713	LM339J
A2U103	1826-0412	1	1	IC COMPARATOR PRCN DUAL 8-DIP-P PKG	27014	LM393N
A2U104	1810-0275	1	1	NETWORK-RES 10-SIP 1.0K OHM X 9	91637	CSC10A01-102G/M
A2U105	1810-0204	6	1	NETWORK-RES 8-SIP 1.0K OHM X 7	11236	750-81-R1K
A2U201	70310-80015	3	1	PRGM PAL	28480	70310-80015
A2U202	1820-3880	1	1	IC-8 BIT MCU, 6 MHZ, RAM 128X8, ROM 2KX8	18324	SCN8049AC6N40 M
A2U203	1820-2102	8	1	IC LCH TTL LS D-TYPE OCTL	01295	SN74LS373N
A2U204	70310-80002	8	1	PRGM EEROM	28480	70310-80002
A2U205	1820-3426	1	1	IC TRANSCEIVER TTL S BUS 9-BIT	34335	AM29863DC
A2U207	1820-3010	9	1	IC GATE-ARY CMOS 2-INP	10411	LL5320
A2U208	1820-2056	1	1	IC FF TTL LS D-TYPE POS-EDGE-TRIG COM	01295	SN74LS378N
A2U209	1820-2024	3	2	IC DRVR TTL LS LINE DRVR OCTL	01295	SN74LS244N
A2U210	1820-2024	3		IC DRVR TTL LS LINE DRVR OCTL	01295	SN74LS244N
A2U211	1820-1199	1	1	IC INV TTL LS HEX 1-INP	01295	SN74LS04N
A2U212	1810-0810	0	3	NETWORK-RC 16PIN DIP; 7 RESISTORS: 100	04213	906C101X5VK
A2U213	1810-0810	0		NETWORK-RC 16PIN DIP; 7 RESISTORS: 100	04213	906C101X5VK
A2U214	1810-0810	0		NETWORK-RC 16PIN DIP; 7 RESISTORS: 100	04213	906C101X5VK
A2XU204	1200-0541	1	1	SOCKET-IC 24-CONT DIP DIP-SLDR	28480	1200-0541

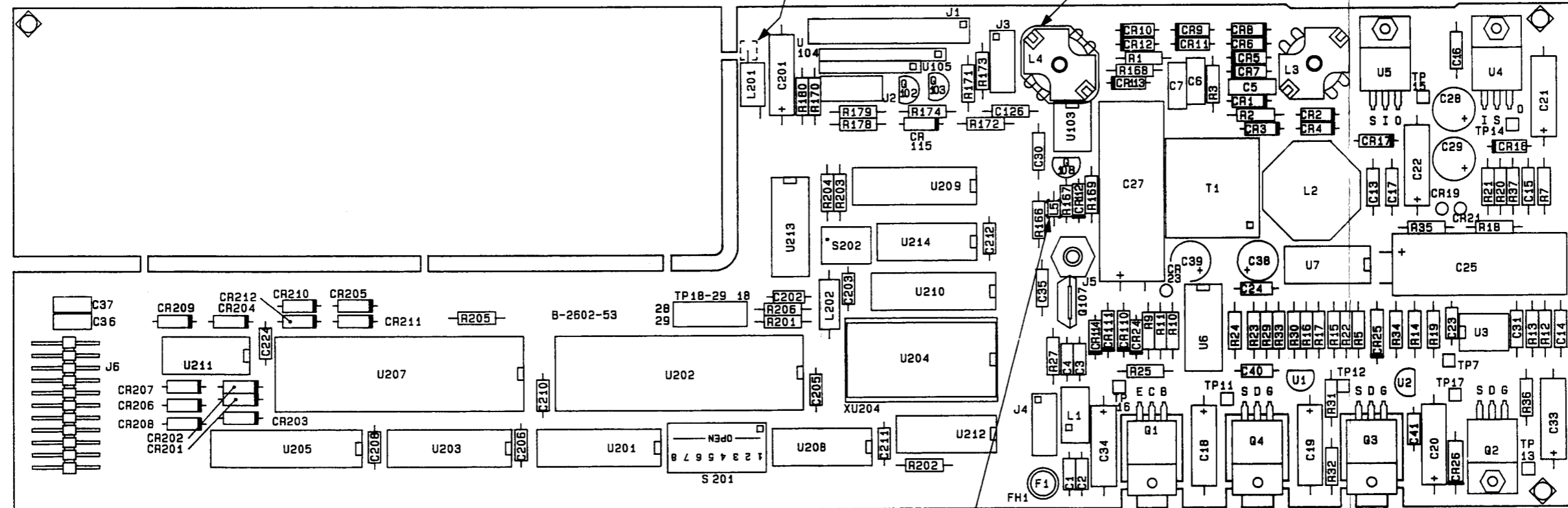
BOARD ASSEMBLY

L201

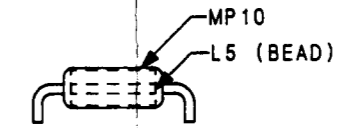
2 LAYER MPB

SOLDER JOINT MUST BE SMOOTH AND LOW PROFILE. LEAD OD L201 MUST NOT PROTRUDE THROUGH.

MP9



SEE DETAIL B



NOTE: MP10 MUST EXTEND OVER THE ENDS OF L5 TO ASSURE ELECTRICAL INSULATION

DETAIL B

Component-Level Information Packet for 70310-60041

A3 Distribution Amplifier "B"



**HP Part No. 70310-90077
Printed in USA December 1994**

Notice. The information contained in this document is subject to change without notice.

Hewlett-Packard makes no warranty of any kind with regard to this material, including, but not limited to, the implied warranties of merchantability and fitness for a particular purpose. Hewlett-Packard shall not be liable for errors contained herein or for incidental or consequential damages in connection with the furnishing, performance, or use of this material.

©Copyright Hewlett-Packard Company 1994

All Rights Reserved. Reproduction, adaptation, or translation without prior written permission is prohibited, except as allowed under the copyright laws.

**HP Part Number 70310-60041
A3 Distribution Amplifier "B"**

Reference Designator	HP Part Number	Qty	Description	Mfr Code	Mfr Part Number
C1	0160-6670	1	CAP-FXD 3300pF +-5% 50 V CER C0G	28480	0160-6670
C2	0160-6736	1	CAP-FXD 0.01uF +-10% 50 V CER X7R	28480	0160-6736
C3	0160-5973	1	CAP-FXD 6.8pF +-7.35% 50 V CER C0G	28480	0160-5973
C4	0160-5978	1	CAP-FXD 2.2pF +-22.73% 50 V CER C0G	28480	0160-5978
C5	0160-5978	1	CAP-FXD 2.2pF +-22.73% 50 V CER C0G	28480	0160-5978
C6	0160-5962	1	CAP-FXD 15pF +-5% 50 V CER C0G	28480	0160-5962
C7	0160-6736	1	CAP-FXD 0.01uF +-10% 50 V CER X7R	28480	0160-6736
C8	0160-5974	1	CAP-FXD 8.2pF +-6.1% 50 V CER C0G	28480	0160-5974
C9	0160-6736	1	CAP-FXD 0.01uF +-10% 50 V CER X7R	28480	0160-6736
C10	0160-6736	1	CAP-FXD 0.01uF +-10% 50 V CER X7R	28480	0160-6736
C11	0160-6736	1	CAP-FXD 0.01uF +-10% 50 V CER X7R	28480	0160-6736
C12	0160-6734	1	CAP-FXD 0.047uF +-10% 50 V CER X7R	28480	0160-6734
C13	0160-6736	1	CAP-FXD 0.01uF +-10% 50 V CER X7R	28480	0160-6736
C14	0160-6736	1	CAP-FXD 0.01uF +-10% 50 V CER X7R	28480	0160-6736
C15	0160-6670	1	CAP-FXD 3300pF +-5% 50 V CER C0G	28480	0160-6670
C16	0160-6736	1	CAP-FXD 0.01uF +-10% 50 V CER X7R	28480	0160-6736
C17	0160-5973	1	CAP-FXD 6.8pF +-7.35% 50 V CER C0G	28480	0160-5973
C18	0160-5978	1	CAP-FXD 2.2pF +-22.73% 50 V CER C0G	28480	0160-5978
C19	0160-5978	1	CAP-FXD 2.2pF +-22.73% 50 V CER C0G	28480	0160-5978
C20	0160-5962	1	CAP-FXD 15pF +-5% 50 V CER C0G	28480	0160-5962
C22	0160-5974	1	CAP-FXD 8.2pF +-6.1% 50 V CER C0G	28480	0160-5974
C23	0160-6736	1	CAP-FXD 0.01uF +-10% 50 V CER X7R	28480	0160-6736
C24	0160-6736	1	CAP-FXD 0.01uF +-10% 50 V CER X7R	28480	0160-6736
C25	0160-6736	1	CAP-FXD 0.01uF +-10% 50 V CER X7R	28480	0160-6736
C26	0160-6734	1	CAP-FXD 0.047uF +-10% 50 V CER X7R	28480	0160-6734
C27	0160-6736	1	CAP-FXD 0.01uF +-10% 50 V CER X7R	28480	0160-6736
C28	0160-6736	1	CAP-FXD 0.01uF +-10% 50 V CER X7R	28480	0160-6736
C29	0160-6670	1	CAP-FXD 3300pF +-5% 50 V CER C0G	28480	0160-6670
C30	0160-6736	1	CAP-FXD 0.01uF +-10% 50 V CER X7R	28480	0160-6736
C31	0160-5973	1	CAP-FXD 6.8pF +-7.35% 50 V CER C0G	28480	0160-5973
C32	0160-5978	1	CAP-FXD 2.2pF +-22.73% 50 V CER C0G	28480	0160-5978
C33	0160-5978	1	CAP-FXD 2.2pF +-22.73% 50 V CER C0G	28480	0160-5978
C34	0160-5962	1	CAP-FXD 15pF +-5% 50 V CER C0G	28480	0160-5962
C35	0160-6736	1	CAP-FXD 0.01uF +-10% 50 V CER X7R	28480	0160-6736
C36	0160-5974	1	CAP-FXD 8.2pF +-6.1% 50 V CER C0G	28480	0160-5974

**Indicates factory-selected value*

CLIP 70310-90077 1

HP Part Number 70310-60041
A3 Distribution Amplifier "B" (continued)

Reference Designator	HP Part Number	Qty	Description	Mfr Code	Mfr Part Number
C37	0160-6736	1	CAP-FXD 0.01uF +-10% 50 V CER X7R	28480	0160-6736
C38	0160-6736	1	CAP-FXD 0.01uF +-10% 50 V CER X7R	28480	0160-6736
C39	0160-6734	1	CAP-FXD 0.047uF +-10% 50 V CER X7R	28480	0160-6734
C40	0160-6736	1	CAP-FXD 0.01uF +-10% 50 V CER X7R	28480	0160-6736
C41	0160-6736	1	CAP-FXD 0.01uF +-10% 50 V CER X7R	28480	0160-6736
C42	0160-6736	1	CAP-FXD 0.01uF +-10% 50 V CER X7R	28480	0160-6736
C43	0160-6734	1	CAP-FXD 0.047uF +-10% 50 V CER X7R	28480	0160-6734
C44	0160-6736	1	CAP-FXD 0.01uF +-10% 50 V CER X7R	28480	0160-6736
C45	0160-6736	1	CAP-FXD 0.01uF +-10% 50 V CER X7R	28480	0160-6736
C46	0160-6736	1	CAP-FXD 0.01uF +-10% 50 V CER X7R	28480	0160-6736
C47	0160-6736	1	CAP-FXD 0.01uF +-10% 50 V CER X7R	28480	0160-6736
C48	0160-6736	1	CAP-FXD 0.01uF +-10% 50 V CER X7R	28480	0160-6736
C49	0180-0491	1	CAP-FXD 10uF +-20% 25 V TA	28480	0180-0491
C50	0160-6736	1	CAP-FXD 0.01uF +-10% 50 V CER X7R	28480	0160-6736
C51	0160-6736	1	CAP-FXD 0.01uF +-10% 50 V CER X7R	28480	0160-6736
C52	0160-6736	1	CAP-FXD 0.01uF +-10% 50 V CER X7R	28480	0160-6736
C53	0160-6736	1	CAP-FXD 0.01uF +-10% 50 V CER X7R	28480	0160-6736
C54	0160-6736	1	CAP-FXD 0.01uF +-10% 50 V CER X7R	28480	0160-6736
C55	0160-6734	1	CAP-FXD 0.047uF +-10% 50 V CER X7R	28480	0160-6734
C56	0160-6734	1	CAP-FXD 0.047uF +-10% 50 V CER X7R	28480	0160-6734
C57	0160-6736	1	CAP-FXD 0.01uF +-10% 50 V CER X7R	28480	0160-6736
C58	0160-6736	1	CAP-FXD 0.01uF +-10% 50 V CER X7R	28480	0160-6736
C59	0160-6736	1	CAP-FXD 0.01uF +-10% 50 V CER X7R	28480	0160-6736
C60	0160-6736	1	CAP-FXD 0.01uF +-10% 50 V CER X7R	28480	0160-6736
C61	0180-0491	1	CAP-FXD 10uF +-20% 25 V TA	28480	0180-0491
C62	0160-6734	1	CAP-FXD 0.047uF +-10% 50 V CER X7R	28480	0160-6734
C63	0160-6734	1	CAP-FXD 0.047uF +-10% 50 V CER X7R	28480	0160-6734
C64	0180-2618	1	CAP-FXD 33uF +-10% 10 V TA	28480	0180-2618
C65	0160-6734	1	CAP-FXD 0.047uF +-10% 50 V CER X7R	28480	0160-6734
C66	0160-6736	1	CAP-FXD 0.01uF +-10% 50 V CER X7R	28480	0160-6736
C67	0160-6734	1	CAP-FXD 0.047uF +-10% 50 V CER X7R	28480	0160-6734
C68	0160-6734	1	CAP-FXD 0.047uF +-10% 50 V CER X7R	28480	0160-6734
C69	0160-6734	1	CAP-FXD 0.047uF +-10% 50 V CER X7R	28480	0160-6734
C70	0160-6736	1	CAP-FXD 0.01uF +-10% 50 V CER X7R	28480	0160-6736
C71	0160-6736	1	CAP-FXD 0.01uF +-10% 50 V CER X7R	28480	0160-6736

**HP Part Number 70310-60041
A3 Distribution Amplifier "B" (continued)**

Reference Designator	HP Part Number	Qty	Description	Mfr Code	Mfr Part Number
C72	0160-6736	1	CAP-FXD 0.01uF +-10% 50 V CER X7R	28480	0160-6736
C73	0160-6736	1	CAP-FXD 0.01uF +-10% 50 V CER X7R	28480	0160-6736
C74	0160-6734	1	CAP-FXD 0.047uF +-10% 50 V CER X7R	28480	0160-6734
C75	0160-6734	1	CAP-FXD 0.047uF +-10% 50 V CER X7R	28480	0160-6734
C76	0160-6736	1	CAP-FXD 0.01uF +-10% 50 V CER X7R	28480	0160-6736
C77	0160-6736	1	CAP-FXD 0.01uF +-10% 50 V CER X7R	28480	0160-6736
C78	0160-6736	1	CAP-FXD 0.01uF +-10% 50 V CER X7R	28480	0160-6736
C79	0160-6736	1	CAP-FXD 0.01uF +-10% 50 V CER X7R	28480	0160-6736
CR1	70310-60036	1	6 MTCHEDED DIODES	28480	70310-60036
CR2	1901-0639	1	DIODE-PIN	28480	1901-0639
CR3	1901-0639	1	DIODE-PIN	28480	1901-0639
CR4	1901-0639	1	DIODE-PIN	28480	1901-0639
CR7	1901-0639	1	DIODE-PIN	28480	1901-0639
CR8	1901-0639	1	DIODE-PIN	28480	1901-0639
CR9	1901-0639	1	DIODE-PIN	28480	1901-0639
CR11	1901-0639	1	DIODE-PIN	28480	1901-0639
CR12	1901-0639	1	DIODE-PIN	28480	1901-0639
CR13	1901-0639	1	DIODE-PIN	28480	1901-0639
CR14	1901-1227	1	DIODE-SWITCHING 75V 200MA 6NS TO-236	28480	1901-1227
CR15	1901-1227	1	DIODE-SWITCHING 75V 200MA 6NS TO-236	28480	1901-1227
CR16	1901-1227	1	DIODE-SWITCHING 75V 200MA 6NS TO-236	28480	1901-1227
J1	1250-0257	1	CONNECTOR-RF SMB PLUG PC-W-STDFS 50-OHM	28480	1250-0257
J2	1250-0257	1	CONNECTOR-RF SMB PLUG PC-W-STDFS 50-OHM	28480	1250-0257
J3	1250-0257	1	CONNECTOR-RF SMB PLUG PC-W-STDFS 50-OHM	28480	1250-0257
J4	1250-0257	1	CONNECTOR-RF SMB PLUG PC-W-STDFS 50-OHM	28480	1250-0257
J5	1251-4928	1	CONN-POST TYPE .100-PIN-SPCG-MTG-END	28480	1251-4928
L1	9140-1152	1	INDUCTOR 30nH +-20% .11W-INX.115LG-IN	28480	9140-1152
L2	9140-1152	1	INDUCTOR 30nH +-20% .11W-INX.115LG-IN	28480	9140-1152
L3	9170-1276	1	CORE-FERRITE WIDE-BAND CHOKE; Z:750 OHMS	28480	9170-1276
L4	9140-1152	1	INDUCTOR 30nH +-20% .11W-INX.115LG-IN	28480	9140-1152
L5	9140-1152	1	INDUCTOR 30nH +-20% .11W-INX.115LG-IN	28480	9140-1152
L6	9170-1276	1	CORE-FERRITE WIDE-BAND CHOKE; Z:750 OHMS	28480	9170-1276
L7	9140-1152	1	INDUCTOR 30nH +-20% .11W-INX.115LG-IN	28480	9140-1152
L8	9140-1152	1	INDUCTOR 30nH +-20% .11W-INX.115LG-IN	28480	9140-1152
L9	9170-1276	1	CORE-FERRITE WIDE-BAND CHOKE; Z:750 OHMS	28480	9170-1276

**Indicates factory-selected value*

HP Part Number 70310-60041
A3 Distribution Amplifier "B" (continued)

Reference Designator	HP Part Number	Qty	Description	Mfr Code	Mfr Part Number
L10	9170-1276	1	CORE-FERRITE WIDE-BAND CHOKE; Z:750 OHMS	28480	9170-1276
L11	9140-0736	1	INDUCTOR 200uH .3W-INX.4LG-IN	28480	9140-0736
L12	9140-0736	1	INDUCTOR 200uH .3W-INX.4LG-IN	28480	9140-0736
L13	9170-1276	1	CORE-FERRITE WIDE-BAND CHOKE; Z:750 OHMS	28480	9170-1276
MP3	1200-0173	1	INSULATOR-XSTR DAP-GL	02210	A-10001 DAP
NONE	0460-0245	1	TAPE-ELEC .188-IN-W .0025-IN-T POLYE-FLM	04726	56
Q1	1853-0567	1	TRANSISTOR PNP SI SOT-23 (TO-236AB)	28480	1853-0567
Q2	1853-0567	1	TRANSISTOR PNP SI SOT-23 (TO-236AB)	28480	1853-0567
Q3	1853-0567	1	TRANSISTOR PNP SI SOT-23 (TO-236AB)	28480	1853-0567
R1	0699-1356	1	RESISTOR 31.6 +-1% .125W TKF TC=0+-100	28480	0699-1356
R2	0699-1361	1	RESISTOR 51.1 +-1% .125W TKF TC=0+-100	28480	0699-1361
R3	0699-1366	1	RESISTOR 82.5 +-1% .125W TKF TC=0+-100	28480	0699-1366
R4	0699-1361	1	RESISTOR 51.1 +-1% .125W TKF TC=0+-100	28480	0699-1361
R5	0699-1344	1	RESISTOR 10 +-1% .125W TKF TC=0+-100	28480	0699-1344
R6	0699-1440	1	RESISTOR 121K +-1% .125W TKF TC=0+-100	28480	0699-1440
R7	0699-1371	1	RESISTOR 1.33K +-1% .125W TKF TC=0+-100	28480	0699-1371
R8	0699-1385	1	RESISTOR 5.11K +-1% .125W TKF TC=0+-100	28480	0699-1385
R9	0699-1378	1	RESISTOR 2.61K +-1% .125W TKF TC=0+-100	28480	0699-1378
R10	0699-1378	1	RESISTOR 2.61K +-1% .125W TKF TC=0+-100	28480	0699-1378
R11	0699-1359	1	RESISTOR 42.2 +-1% .125W TKF TC=0+-100	28480	0699-1359
R12	0699-1356	1	RESISTOR 31.6 +-1% .125W TKF TC=0+-100	28480	0699-1356
R13	0699-1361	1	RESISTOR 51.1 +-1% .125W TKF TC=0+-100	28480	0699-1361
R14	0699-1366	1	RESISTOR 82.5 +-1% .125W TKF TC=0+-100	28480	0699-1366
R15	0699-1361	1	RESISTOR 51.1 +-1% .125W TKF TC=0+-100	28480	0699-1361
R16	2100-4195	1	RESISTOR-TRMR 100 10% TKF TOP-ADJ 1-TRN	28480	2100-4195
R17	0699-1371	1	RESISTOR 1.33K +-1% .125W TKF TC=0+-100	28480	0699-1371
R18	0699-1385	1	RESISTOR 5.11K +-1% .125W TKF TC=0+-100	28480	0699-1385
R19	0699-1378	1	RESISTOR 2.61K +-1% .125W TKF TC=0+-100	28480	0699-1378
R20	0699-1378	1	RESISTOR 2.61K +-1% .125W TKF TC=0+-100	28480	0699-1378
R21	0699-1359	1	RESISTOR 42.2 +-1% .125W TKF TC=0+-100	28480	0699-1359
R22	0699-1356	1	RESISTOR 31.6 +-1% .125W TKF TC=0+-100	28480	0699-1356
R23	0699-1361	1	RESISTOR 51.1 +-1% .125W TKF TC=0+-100	28480	0699-1361
R24	0699-1366	1	RESISTOR 82.5 +-1% .125W TKF TC=0+-100	28480	0699-1366
R25	0699-1361	1	RESISTOR 51.1 +-1% .125W TKF TC=0+-100	28480	0699-1361
R26	0699-1344	1	RESISTOR 10 +-1% .125W TKF TC=0+-100	28480	0699-1344

**HP Part Number 70310-60041
A3 Distribution Amplifier "B" (continued)**

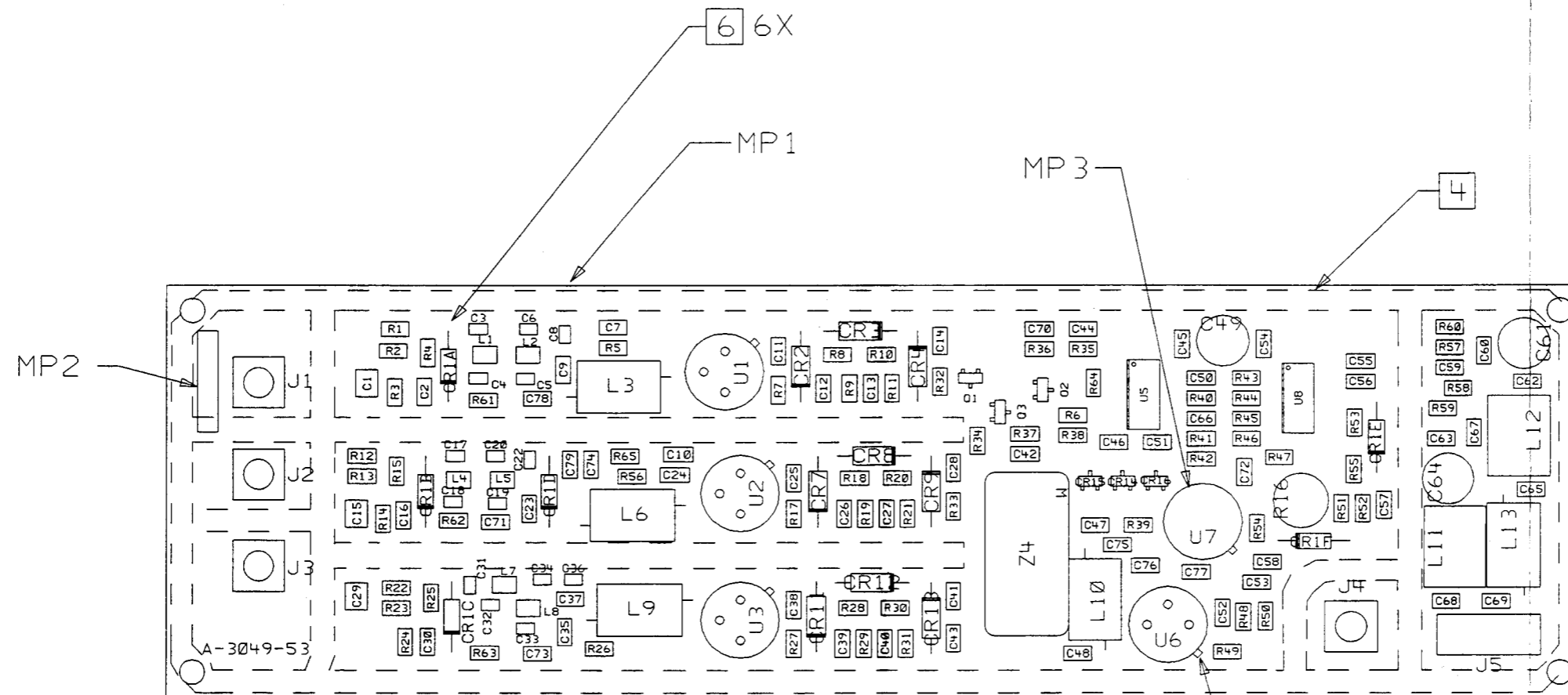
Reference Designator	HP Part Number	Qty	Description	Mfr Code	Mfr Part Number
R27	0699-1371	1	RESISTOR 1.33K +-1% .125W TKF TC=0+-100	28480	0699-1371
R28	0699-1385	1	RESISTOR 5.11K +-1% .125W TKF TC=0+-100	28480	0699-1385
R29	0699-1378	1	RESISTOR 2.61K +-1% .125W TKF TC=0+-100	28480	0699-1378
R30	0699-1378	1	RESISTOR 2.61K +-1% .125W TKF TC=0+-100	28480	0699-1378
R31	0699-1359	1	RESISTOR 42.2 +-1% .125W TKF TC=0+-100	28480	0699-1359
R32	0699-1418	1	RESISTOR 133 +-1% .125W TKF TC=0+-100	28480	0699-1418
R33	0699-1418	1	RESISTOR 133 +-1% .125W TKF TC=0+-100	28480	0699-1418
R34	0699-1418	1	RESISTOR 133 +-1% .125W TKF TC=0+-100	28480	0699-1418
R35	0699-1374	1	RESISTOR 1.78K +-1% .125W TKF TC=0+-100	28480	0699-1374
R36	0699-1440	1	RESISTOR 121K +-1% .125W TKF TC=0+-100	28480	0699-1440
R37	0699-1440	1	RESISTOR 121K +-1% .125W TKF TC=0+-100	28480	0699-1440
R38	0699-1374	1	RESISTOR 1.78K +-1% .125W TKF TC=0+-100	28480	0699-1374
R39	0699-1366	1	RESISTOR 82.5 +-1% .125W TKF TC=0+-100	28480	0699-1366
R40	0699-1440	1	RESISTOR 121K +-1% .125W TKF TC=0+-100	28480	0699-1440
R41	0699-1374	1	RESISTOR 1.78K +-1% .125W TKF TC=0+-100	28480	0699-1374
R42	0699-1391	1	RESISTOR 10K +-1% .125W TKF TC=0+-100	28480	0699-1391
R43	0699-1391	1	RESISTOR 10K +-1% .125W TKF TC=0+-100	28480	0699-1391
R44	0699-1391	1	RESISTOR 10K +-1% .125W TKF TC=0+-100	28480	0699-1391
R45	0699-1383	1	RESISTOR 4.22K +-1% .125W TKF TC=0+-100	28480	0699-1383
R46	0699-1396	1	RESISTOR 17.8K +-1% .125W TKF TC=0+-100	28480	0699-1396
R47	0699-1391	1	RESISTOR 10K +-1% .125W TKF TC=0+-100	28480	0699-1391
R48	0699-1360	1	RESISTOR 46.4 +-1% .125W TKF TC=0+-100	28480	0699-1360
R49	0699-1418	1	RESISTOR 133 +-1% .125W TKF TC=0+-100	28480	0699-1418
R50	0699-1418	1	RESISTOR 133 +-1% .125W TKF TC=0+-100	28480	0699-1418
R51	0699-1391	1	RESISTOR 10K +-1% .125W TKF TC=0+-100	28480	0699-1391
R52	0699-1448	1	RESISTOR 316K +-1% .125W TKF TC=0+-100	28480	0699-1448
R53	0699-1448	1	RESISTOR 316K +-1% .125W TKF TC=0+-100	28480	0699-1448
R54	0699-1401	1	RESISTOR 28.7K +-1% .125W TKF TC=0+-100	28480	0699-1401
R55	0699-1400	1	RESISTOR 26.1K +-1% .125W TKF TC=0+-100	28480	0699-1400
R56	0699-1344	1	RESISTOR 10 +-1% .125W TKF TC=0+-100	28480	0699-1344
R57	0699-1361	1	RESISTOR 51.1 +-1% .125W TKF TC=0+-100	28480	0699-1361
R58	0699-1344	1	RESISTOR 10 +-1% .125W TKF TC=0+-100	28480	0699-1344
R59	0699-1344	1	RESISTOR 10 +-1% .125W TKF TC=0+-100	28480	0699-1344
R60	0699-1361	1	RESISTOR 51.1 +-1% .125W TKF TC=0+-100	28480	0699-1361
R61	0699-1391	1	RESISTOR 10K +-1% .125W TKF TC=0+-100	28480	0699-1391

**Indicates factory-selected value*

**HP Part Number 70310-60041
A3 Distribution Amplifier "B" (continued)**

Reference Designator	HP Part Number	Qty	Description	Mfr Code	Mfr Part Number
R62	0699-1391	1	RESISTOR 10K +-1% .125W TKF TC=0+-100	28480	0699-1391
R63	0699-1391	1	RESISTOR 10K +-1% .125W TKF TC=0+-100	28480	0699-1391
R64	0699-1374	1	RESISTOR 1.78K +-1% .125W TKF TC=0+-100	28480	0699-1374
R65	0699-1391	1	RESISTOR 10K +-1% .125W TKF TC=0+-100	28480	0699-1391
U1	1813-0213	1	IC WIDEBAND AMPL TO-39	28480	1813-0213
U2	1813-0213	1	IC WIDEBAND AMPL TO-39	28480	1813-0213
U3	1813-0213	1	IC WIDEBAND AMPL TO-39	28480	1813-0213
U4	0955-0294	1	U-WAVE POWER SPLITTER 310 MHZ MAX	02739	PSC-3-1-27
U5	1826-2171	1	IC OP AMP LOW-BIAS-H-IMPD QUAD 14 PIN	28480	1826-2171
U6	1813-0213	1	IC WIDEBAND AMPL TO-39	28480	1813-0213
U7	1826-0742	1	IC PWR MGT-V-REF-FXD 0/10V TO-5 PKG	28480	1826-0742
U8	1826-1528	1	IC COMPARATOR LP QUAD 14 PIN PLSTC-SOIC	28480	1826-1528

SYM	REVISIONS	APPROVED	DATE
A	AS ISSUED PER PCO 53-06814		



NOTES: UNLESS OTHERWISE SPECIFIED

1. MAXIMUM COMPONENT HEIGHT .400
2. MAXIMUM LEAD TRIM LENGTH .060
3. SURFACE SOLDER TABS OF U1, U2, U3 AND U6 TO P.C. BOARD. SOLDER MUST NOT FLOW ONTO GASKET AREA OF GROUND STRIP.
4. MOUNTING HOLES AND AREA SHOWN WITHIN DOTTED LINES, ON BOTTOM SIDE OF BOARD, MUST BE FREE OF EXCESSIVE SOLDER.
5. COMPONENTS MUST NOT HANG OVER GASKET AREAS.
6. CR1A, 1B, 1C, 1D, 1E AND 1F ARE A MATCHED SET OF 6 DIODES. ANY ASSEMBLY OR REPLACEMENT MUST BE WITH A FULL SET OF 6.

SEE 70310-60041 MATERIAL LIST

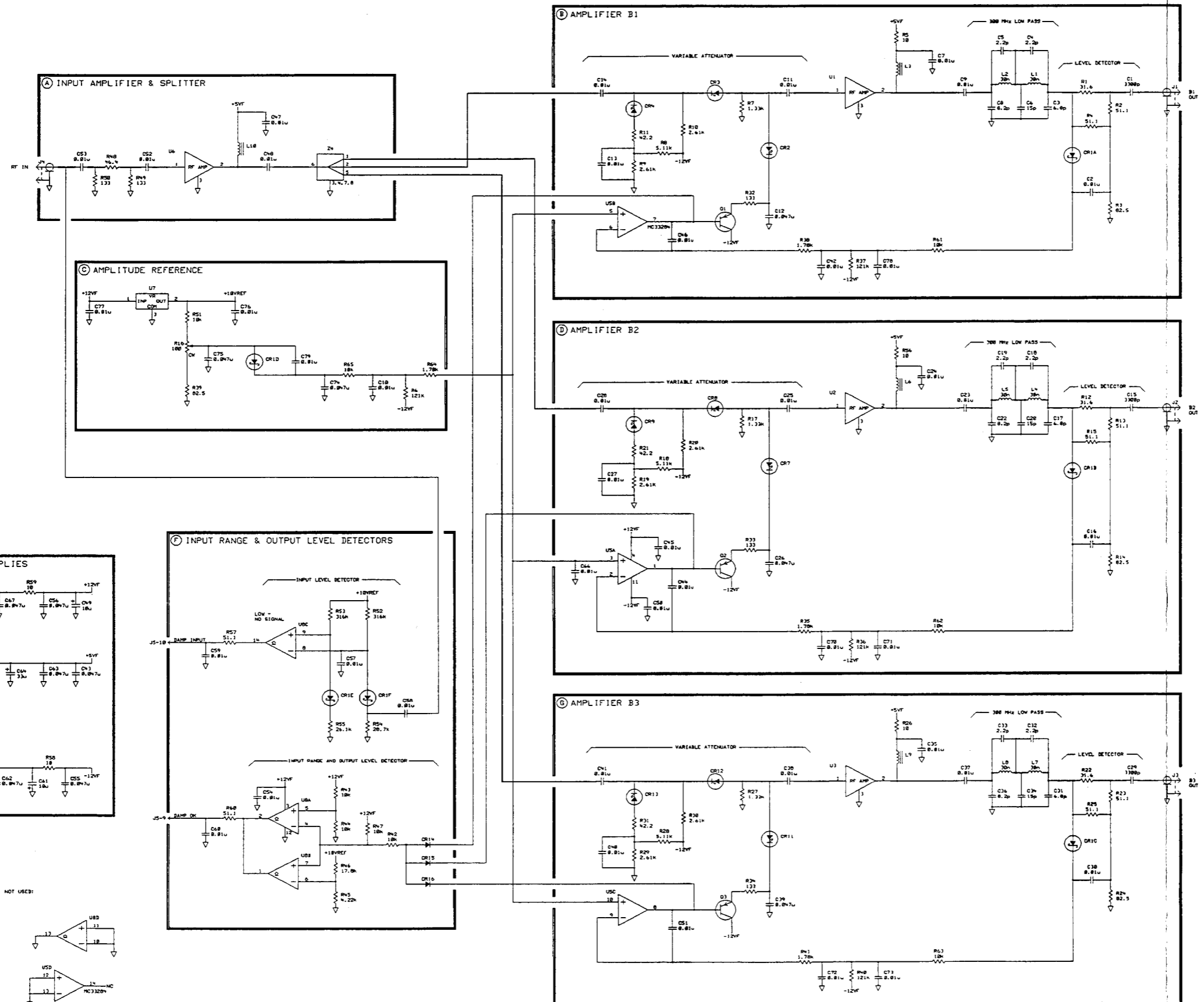
HP PROPRIETARY
 THIS DOCUMENT CONTAINS CONFIDENTIAL,
 PROPRIETARY INFORMATION THAT IS
 HEWLETT-PACKARD (HP) PROPERTY.
 DO NOT DISCLOSE TO OR DUPLICATE FOR
 OTHERS EXCEPT AS AUTHORIZED BY HP.

UNLESS OTHERWISE SPECIFIED,
 DIMENSIONS ARE IN INCHES.
 TOLERANCES: XX.XXX ±.010
 XX.XX ±.02
 THIRD ANGLE
 PROJECTION
 DO NOT SCALE THIS DRAWING

DRAWN BY	DATE
ENGINEER/CHECKER	DATE
RELEASE TO PROD.	DATE
SUPERSEDES DWG.	

ASSEMBLY, PWB
 DISTRIBUTION
 AMPLIFIER B
 TITLE

a1abz041 FILENAME	HEWLETT PACKARD
SCALE NONE	
SHEET 1 OF 1	70310-60041 PART NUMBER
C-70310-60041-2	



NOTES:

1. REFERENCE DESIGNATORS WITHIN THIS ASSEMBLY ARE ABBREVIATED. PREFIX ABBREVIATION WITH ASSEMBLY NUMBER FOR COMPLETE REFERENCE DESIGNATOR.
2. UNLESS OTHERWISE INDICATED: RESISTANCE IN OHMS (Ω); CAPACITANCE IN MICROFARADS (μF); INDUCTANCE IN MICROHENRIES (μH).
3. PHONETIC TABLE

PHONETIC	DESCRIPTION

HP PROPRIETARY
THIS DOCUMENT CONTAINS CONFIDENTIAL
PROPRIETARY INFORMATION THAT IS
HEWLETT-PACKARD (HP) PROPERTY.
DO NOT DISCLOSE TO OR DUPLICATE FOR
OTHERS EXCEPT AS AUTHORIZED BY HP.

DRAWN BY	DATE	SCHEMATIC. PWA DISTRIBUTION AMPLIFIER B	slab2041	HEWLETT PACKARD
ENGINEER/CHECKER	DATE		FILENAME	
RELEASE TO PROD.	DATE		SCALE NONE	
SUPERSEDES DWG.	DATE		SHEET 1 OF 1	
			70310-60041	
			PART NUMBER	
			D-70310-60041-1	

Component-Level Information Packet for 70310-60003

A3 Distribution Amplifier "B"



**HP Part No. 70310-90064
Printed in USA December 1994**

Notice. The information contained in this document is subject to change without notice.

Hewlett-Packard makes no warranty of any kind with regard to this material, including, but not limited to, the implied warranties of merchantability and fitness for a particular purpose. Hewlett-Packard shall not be liable for errors contained herein or for incidental or consequential damages in connection with the furnishing, performance, or use of this material.

©Copyright Hewlett-Packard Company 1989, 1994

All Rights Reserved. Reproduction, adaptation, or translation without prior written permission is prohibited, except as allowed under the copyright laws.

HP Part Number 70310-60003
A3 Distribution Amplifier "B"

Reference Designation	HP Part Number	C D	Qty	Description	Mfr Code	Mfr Part Number
A3	70310-60003	7	1	BD ASSY-DISTRIBUTION AMPLIFIER "B" (ADD FOR OPT. 001)	28480	70310-60003
A3C1	0160-5946	3	3	CAPACITOR-FXD 3300PF +-10% 50VDC CER	28480	0160-5946
A3C2	0160-5945	2	42	CAPACITOR-FXD .01UF +-10% 50VDC CER	28480	0160-5945
A3C3	0160-5973	6	3	CAPACITOR-FXD 6.8PF +- .5PF 50VDC CER	28480	0160-5973
A3C4	0160-5978	1	6	CAPACITOR-FXD 2.2PF +- .25PF 50VDC CER	28480	0160-5978
A3C5	0160-5978	1		CAPACITOR-FXD 2.2PF +- .25PF 50VDC CER	28480	0160-5978
A3C6	0160-5962	3	3	CAPACITOR-FXD 15PF +-5% 50VDC CER 0+-30	28480	0160-5962
A3C7	0160-5945	2		CAPACITOR-FXD .01UF +-10% 50VDC CER	28480	0160-5945
A3C8	0160-5974	7	3	CAPACITOR-FXD 8.2PF +- .5PF 50VDC CER	28480	0160-5974
A3C9	0160-5945	2		CAPACITOR-FXD .01UF +-10% 50VDC CER	28480	0160-5945
A3C10	0160-5945	2		CAPACITOR-FXD .01UF +-10% 50VDC CER	28480	0160-5945
A3C11	0160-5945	2		CAPACITOR-FXD .01UF +-10% 50VDC CER	28480	0160-5945
A3C12	0160-5944	1	15	CAPACITOR-FXD .047UF +-10% 50VDC CER	28480	0160-5944
A3C13	0160-5945	2		CAPACITOR-FXD .01UF +-10% 50VDC CER	28480	0160-5945
A3C14	0160-5945	2		CAPACITOR-FXD .01UF +-10% 50VDC CER	28480	0160-5945
A3C15	0160-5946	3		CAPACITOR-FXD 3300PF +-10% 50VDC CER	28480	0160-5946
A3C16	0160-5945	2		CAPACITOR-FXD .01UF +-10% 50VDC CER	28480	0160-5945
A3C17	0160-5973	6		CAPACITOR-FXD 6.8PF +- .5PF 50VDC CER	28480	0160-5973
A3C18	0160-5978	1		CAPACITOR-FXD 2.2PF +- .25PF 50VDC CER	28480	0160-5978
A3C19	0160-5978	1		CAPACITOR-FXD 2.2PF +- .25PF 50VDC CER	28480	0160-5978
A3C20	0160-5962	3		CAPACITOR-FXD 15PF +-5% 50VDC CER 0+-30	28480	0160-5962
A3C22	0160-5974	7		CAPACITOR-FXD 8.2PF +- .5PF 50VDC CER	28480	0160-5974
A3C23	0160-5945	2		CAPACITOR-FXD .01UF +-10% 50VDC CER	28480	0160-5945
A3C24	0160-5945	2		CAPACITOR-FXD .01UF +-10% 50VDC CER	28480	0160-5945
A3C25	0160-5945	2		CAPACITOR-FXD .01UF +-10% 50VDC CER	28480	0160-5945
A3C26	0160-5944	1		CAPACITOR-FXD .047UF +-10% 50VDC CER	28480	0160-5944
A3C27	0160-5945	2		CAPACITOR-FXD .01UF +-10% 50VDC CER	28480	0160-5945
A3C28	0160-5945	2		CAPACITOR-FXD .01UF +-10% 50VDC CER	28480	0160-5945
A3C29	0160-5946	3		CAPACITOR-FXD 3300PF +-10% 50VDC CER	28480	0160-5946
A3C30	0160-5945	2		CAPACITOR-FXD .01UF +-10% 50VDC CER	28480	0160-5945
A3C31	0160-5973	6		CAPACITOR-FXD 6.8PF +- .5PF 50VDC CER	28480	0160-5973
A3C32	0160-5978	1		CAPACITOR-FXD 2.2PF +- .25PF 50VDC CER	28480	0160-5978
A3C33	0160-5978	1		CAPACITOR-FXD 2.2PF +- .25PF 50VDC CER	28480	0160-5978
A3C34	0160-5962	3		CAPACITOR-FXD 15PF +-5% 50VDC CER 0+-30	28480	0160-5962
A3C35	0160-5945	2		CAPACITOR-FXD .01UF +-10% 50VDC CER	28480	0160-5945
A3C36	0160-5974	7		CAPACITOR-FXD 8.2PF +- .5PF 50VDC CER	28480	0160-5974
A3C37	0160-5945	2		CAPACITOR-FXD .01UF +-10% 50VDC CER	28480	0160-5945
A3C38	0160-5945	2		CAPACITOR-FXD .01UF +-10% 50VDC CER	28480	0160-5945
A3C39	0160-5944	1		CAPACITOR-FXD .047UF +-10% 50VDC CER	28480	0160-5944
A3C40	0160-5945	2		CAPACITOR-FXD .01UF +-10% 50VDC CER	28480	0160-5945
A3C41	0160-5945	2		CAPACITOR-FXD .01UF +-10% 50VDC CER	28480	0160-5945
A3C42	0160-5945	2		CAPACITOR-FXD .01UF +-10% 50VDC CER	28480	0160-5945
A3C43	0160-5944	1		CAPACITOR-FXD .047UF +-10% 50VDC CER	28480	0160-5944
A3C44	0160-5945	2		CAPACITOR-FXD .01UF +-10% 50VDC CER	28480	0160-5945
A3C45	0160-5945	2		CAPACITOR-FXD .01UF +-10% 50VDC CER	28480	0160-5945
A3C46	0160-5945	2		CAPACITOR-FXD .01UF +-10% 50VDC CER	28480	0160-5945
A3C47	0160-5944	1		CAPACITOR-FXD .047UF +-10% 50VDC CER	28480	0160-5944
A3C48	0160-5945	2		CAPACITOR-FXD .01UF +-10% 50VDC CER	28480	0160-5945
A3C49	0180-2697	7	2	CAPACITOR-FXD 10UF+-10% 25VDC TA	28480	0180-2697

**Indicates factory-selected value*

HP Part Number 70310-60003
A3 Distribution Amplifier "B"

Reference Designation	HP Part Number	C D	Qty	Description	Mfr Code	Mfr Part Number
A3C50	0160-5945	2		CAPACITOR-FXD .01UF +-10% 50VDC CER	28480	0160-5945
A3C51	0160-5945	2		CAPACITOR-FXD .01UF +-10% 50VDC CER	28480	0160-5945
A3C52	0160-5945	2		CAPACITOR-FXD .01UF +-10% 50VDC CER	28480	0160-5945
A3C53	0160-5945	2		CAPACITOR-FXD .01UF +-10% 50VDC CER	28480	0160-5945
A3C54	0160-5945	2		CAPACITOR-FXD .01UF +-10% 50VDC CER	28480	0160-5945
A3C55	0160-5944	1		CAPACITOR-FXD .047UF +-10% 50VDC CER	28480	0160-5944
A3C56	0160-5944	1		CAPACITOR-FXD .047UF +-10% 50VDC CER	28480	0160-5944
A3C57	0160-5945	2		CAPACITOR-FXD .01UF +-10% 50VDC CER	28480	0160-5945
A3C58	0160-5945	2		CAPACITOR-FXD .01UF +-10% 50VDC CER	28480	0160-5945
A3C59	0160-5945	2		CAPACITOR-FXD .01UF +-10% 50VDC CER	28480	0160-5945
A3C60	0160-5945	2		CAPACITOR-FXD .01UF +-10% 50VDC CER	28480	0160-5945
A3C61	0180-2697	7		CAPACITOR-FXD 10UF+-10% 25VDC TA	28480	0180-2697
A3C62	0160-5944	1		CAPACITOR-FXD .047UF +-10% 50VDC CER	28480	0160-5944
A3C63	0160-5944	1		CAPACITOR-FXD .047UF +-10% 50VDC CER	28480	0160-5944
A3C64	0180-2618	2	1	CAPACITOR-FXD 33UF+-10% 10VDC TA	25088	D*36S1B10K
A3C65	0160-5944	1		CAPACITOR-FXD .047UF +-10% 50VDC CER	28480	0160-5944
A3C66	0160-5945	2		CAPACITOR-FXD .01UF +-10% 50VDC CER	28480	0160-5945
A3C67	0160-5944	1		CAPACITOR-FXD .047UF +-10% 50VDC CER	28480	0160-5944
A3C68	0160-5944	1		CAPACITOR-FXD .047UF +-10% 50VDC CER	28480	0160-5944
A3C69	0160-5944	1		CAPACITOR-FXD .047UF +-10% 50VDC CER	28480	0160-5944
A3C70	0160-5945	2		CAPACITOR-FXD .01UF +-10% 50VDC CER	28480	0160-5945
A3C71	0160-5945	2		CAPACITOR-FXD .01UF +-10% 50VDC CER	28480	0160-5945
A3C72	0160-5945	2		CAPACITOR-FXD .01UF +-10% 50VDC CER	28480	0160-5945
A3C73	0160-5945	2		CAPACITOR-FXD .01UF +-10% 50VDC CER	28480	0160-5945
A3C74	0160-5944	1		CAPACITOR-FXD .047UF +-10% 50VDC CER	28480	0160-5944
A3C75	0160-5944	1		CAPACITOR-FXD .047UF +-10% 50VDC CER	28480	0160-5944
A3C76	0160-5945	2		CAPACITOR-FXD .01UF +-10% 50VDC CER	28480	0160-5945
A3C77	0160-5945	2		CAPACITOR-FXD .01UF +-10% 50VDC CER	28480	0160-5945
A3C78	0160-5945	2		CAPACITOR-FXD .01UF +-10% 50VDC CER	28480	0160-5945
A3C79	0160-5945	2		CAPACITOR-FXD .01UF +-10% 50VDC CER	28480	0160-5945
A3CR1**	70310-60036	6	1**	MATCHED SET-SIX DIODES	28480	70310-60036
A3CR2	1901-0639	4	9	DIODE-PIN	28480	5082-3080
A3CR3	1901-0639	4		DIODE-PIN	28480	5082-3080
A3CR4	1901-0639	4		DIODE-PIN	28480	5082-3080
A3CR5**	70310-60036	6		MATCHED SET-SIX DIODES	28480	70310-60036
A3CR6**	70310-60036	6		MATCHED SET-SIX DIODES	28480	70310-60036
A3CR7	1901-0639	4		DIODE-PIN	28480	5082-3080
A3CR8	1901-0639	4		DIODE-PIN	28480	5082-3080
A3CR9	1901-0639	4		DIODE-PIN	28480	5082-3080
A3CR10**	70310-60036	6		MATCHED SET-SIX DIODES	28480	70310-60036
A3CR11	1901-0639	4		DIODE-PIN	28480	5082-3080
A3CR12	1901-0639	4		DIODE-PIN	28480	5082-3080
A3CR13	1901-0639	4		DIODE-PIN	28480	5082-3080
A3CR14	1901-0050	3	3	DIODE-SWITCHING 80V 200MA 2NS DO-35	9N171	1N4150
A3CR15	1901-0050	3		DIODE-SWITCHING 80V 200MA 2NS DO-35	9N171	1N4150
A3CR16	1901-0050	3		DIODE-SWITCHING 80V 200MA 2NS DO-35	9N171	1N4150
A3CR17**	70310-60036	6		MATCHED SET-SIX DIODES	28480	70310-60036
A3CR18**	70310-60036	6		MATCHED SET-SIX DIODES	28480	70310-60036
A3J1	1250-0257	1	4	CONNECTOR-RF SMB M PC 50-OHM	28480	1250-0257
A3J2	1250-0257	1		CONNECTOR-RF SMB M PC 50-OHM	28480	1250-0257

**NOTE: CR1, 5, 6, 10, 17, & 18 ARE A
MATCHED SET. ALL SIX MUST BE REPLACED
IF ONE NEEDS REPLACING.

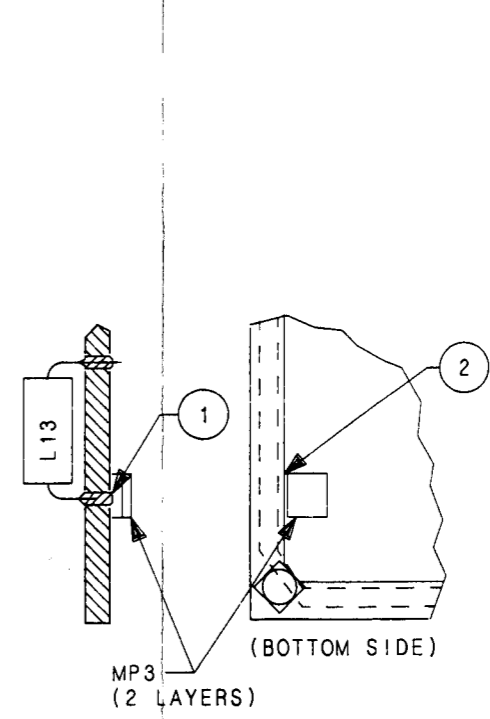
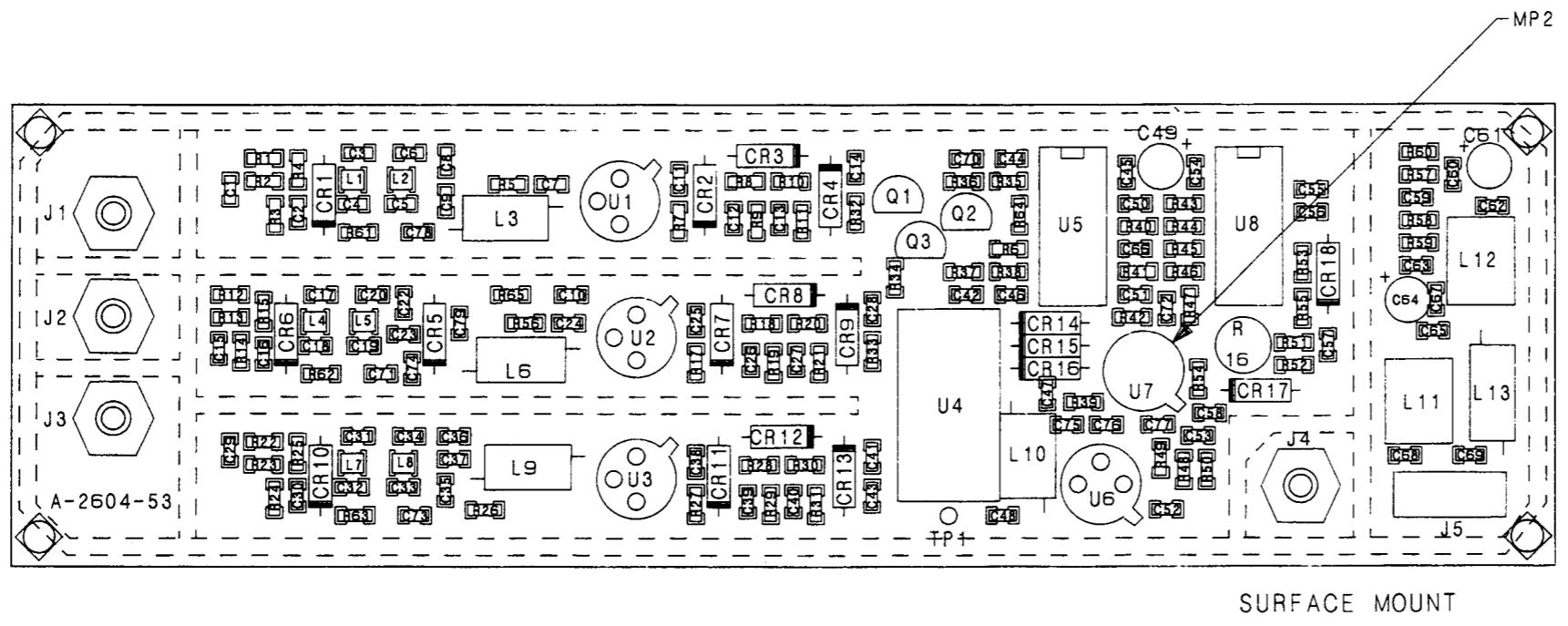
HP Part Number 70310-60003
A3 Distribution Amplifier "B"

Reference Designation	HP Part Number	C D	Qty	Description	Mfr Code	Mfr Part Number
A3J3	1250-0257	1		CONNECTOR-RF SMB M PC 50-OHM	28480	1250-0257
A3J4	1250-0257	1		CONNECTOR-RF SMB M PC 50-OHM	28480	1250-0257
A3J5	1251-4928	3	1	CONNECTOR 10-PIN M POST TYPE	22526	65611-110
A3L1	9140-1152	2	6	INDUCTOR 30NH 20% .095W-INX.11LG-IN Q=35	02113	1008CT-300
A3L2	9140-1152	2		INDUCTOR 30NH 20% .095W-INX.11LG-IN Q=35	02113	1008CT-300
A3L3	9170-1276	4	5	CORE-FERRITE WIDE-BAND CHOKE;Z:750 OHMS	01897	VK 200 10/3B
A3L4	9140-1152	2		INDUCTOR 30NH 20% .095W-INX.11LG-IN Q=35	02113	1008CT-300
A3L5	9140-1152	2		INDUCTOR 30NH 20% .095W-INX.11LG-IN Q=35	02113	1008CT-300
A3L6	9170-1276	4		CORE-FERRITE WIDE-BAND CHOKE;Z:750 OHMS	01897	VK 200 10/3B
A3L7	9140-1152	2		INDUCTOR 30NH 20% .095W-INX.11LG-IN Q=35	02113	1008CT-300
A3L8	9140-1152	2		INDUCTOR 30NH 20% .095W-INX.11LG-IN Q=35	02113	1008CT-300
A3L9	9170-1276	4		CORE-FERRITE WIDE-BAND CHOKE;Z:750 OHMS	01897	VK 200 10/3B
A3L10	9170-1276	4		CORE-FERRITE WIDE-BAND CHOKE;Z:750 OHMS	01897	VK 200 10/3B
A3L11	9140-0736	6	2	INDUCTOR 200UH .4DX.3LG	28480	9140-0736
A3L12	9140-0736	6		INDUCTOR 200UH .4DX.3LG	28480	9140-0736
A3L13	9170-1276	4		CORE-FERRITE WIDE-BAND CHOKE;Z:750 OHMS	01897	VK 200 10/3B
A3MP2	1200-0173	5	1	INSULATOR-XSTR DAP-GL	28480	1200-0173
A3Q1	1853-0036	2	3	TRANSISTOR PNP SI PD=310MW FT=250MHZ	27014	2N3906
A3Q2	1853-0036	2		TRANSISTOR PNP SI PD=310MW FT=250MHZ	27014	2N3906
A3Q3	1853-0036	2		TRANSISTOR PNP SI PD=310MW FT=250MHZ	27014	2N3906
A3R1	0699-1356	2	3	RESISTOR 31.6 1% .125W F TC=0+-100	28480	0699-1356
A3R2	0699-1361	9	8	RESISTOR 51.1 1% .125W F TC=0+-100	28480	0699-1361
A3R3	0699-1366	4	4	RESISTOR 82.5 1% .125W F TC=0+-100	28480	0699-1366
A3R4	0699-1361	9		RESISTOR 51.1 1% .125W F TC=0+-100	28480	0699-1361
A3R5	0699-1344	8	5	RESISTOR 10 1% .125W F TC=0+-100	28480	0699-1344
A3R6	0699-1440	5	4	RESISTOR 121K 1% .125W F TC=0+-100	28480	0699-1440
A3R7	0699-1375	5	6	RESISTOR 1.96K 1% .125W F TC=0+-100	28480	0699-1375
A3R8	0699-1374	4	10	RESISTOR 1.78K 1% .125W F TC=0+-100	28480	0699-1374
A3R9	0699-1374	4		RESISTOR 1.78K 1% .125W F TC=0+-100	28480	0699-1374
A3R10	0699-1375	5		RESISTOR 1.96K 1% .125W F TC=0+-100	28480	0699-1375
A3R11	0699-1359	5	3	RESISTOR 42.2 1% .125W F TC=0+-100	28480	0699-1359
A3R12	0699-1356	2		RESISTOR 31.6 1% .125W F TC=0+-100	28480	0699-1356
A3R13	0699-1361	9		RESISTOR 51.1 1% .125W F TC=0+-100	28480	0699-1361
A3R14	0699-1366	4		RESISTOR 82.5 1% .125W F TC=0+-100	28480	0699-1366
A3R15	0699-1361	9		RESISTOR 51.1 1% .125W F TC=0+-100	28480	0699-1361
A3R16	2100-4195	8	1	RESISTOR-TRMR 100 10% C TOP-ADJ 1-TRN	28480	2100-4195
A3R17	0699-1375	5		RESISTOR 1.96K 1% .125W F TC=0+-100	28480	0699-1375
A3R18	0699-1374	4		RESISTOR 1.78K 1% .125W F TC=0+-100	28480	0699-1374
A3R19	0699-1374	4		RESISTOR 1.78K 1% .125W F TC=0+-100	28480	0699-1374
A3R20	0699-1375	5		RESISTOR 1.96K 1% .125W F TC=0+-100	28480	0699-1375
A3R21	0699-1359	5		RESISTOR 42.2 1% .125W F TC=0+-100	28480	0699-1359
A3R22	0699-1356	2		RESISTOR 31.6 1% .125W F TC=0+-100	28480	0699-1356
A3R23	0699-1361	9		RESISTOR 51.1 1% .125W F TC=0+-100	28480	0699-1361
A3R24	0699-1366	4		RESISTOR 82.5 1% .125W F TC=0+-100	28480	0699-1366
A3R25	0699-1361	9		RESISTOR 51.1 1% .125W F TC=0+-100	28480	0699-1361
A3R26	0699-1344	8		RESISTOR 10 1% .125W F TC=0+-100	28480	0699-1344
A3R27	0699-1375	5		RESISTOR 1.96K 1% .125W F TC=0+-100	28480	0699-1375
A3R28	0699-1374	4		RESISTOR 1.78K 1% .125W F TC=0+-100	28480	0699-1374
A3R29	0699-1374	4		RESISTOR 1.78K 1% .125W F TC=0+-100	28480	0699-1374
A3R30	0699-1375	5		RESISTOR 1.96K 1% .125W F TC=0+-100	28480	0699-1375

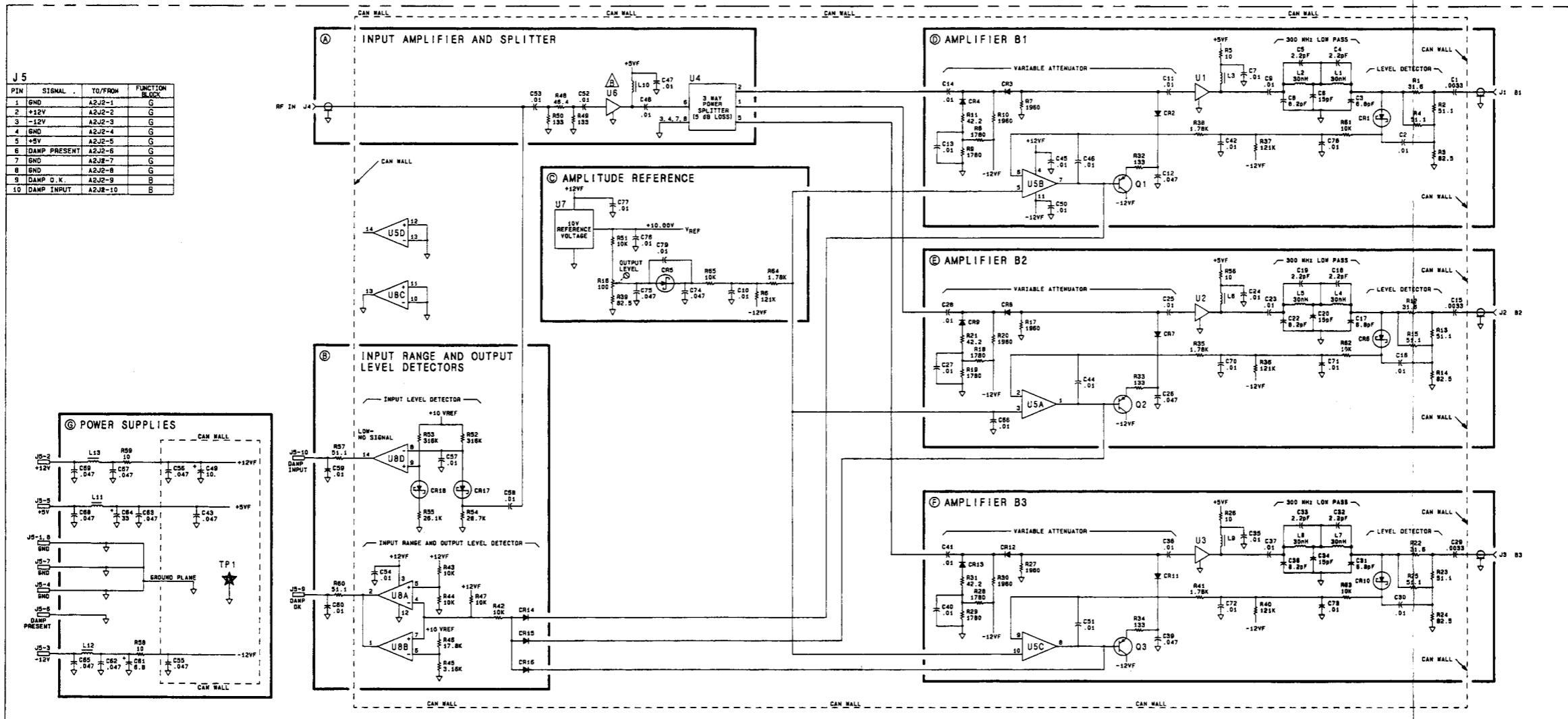
**Indicates factory-selected value*

HP Part Number 70310-60003
A3 Distribution Amplifier "B"

Reference Designation	HP Part Number	C D	Qty	Description	Mfr Code	Mfr Part Number
A3R31	0699-1359	5		RESISTOR 42.2 1% .125W F TC=0+-100	28480	0699-1359
A3R32	0699-1418	7	5	RESISTOR 133 1% .125W F TC=0+-100	28480	0699-1418
A3R33	0699-1418	7		RESISTOR 133 1% .125W F TC=0+-100	28480	0699-1418
A3R34	0699-1418	7		RESISTOR 133 1% .125W F TC=0+-100	28480	0699-1418
A3R35	0699-1374	4		RESISTOR 1.78K 1% .125W F TC=0+-100	28480	0699-1374
A3R36	0699-1440	5		RESISTOR 121K 1% .125W F TC=0+-100	28480	0699-1440
A3R37	0699-1440	5		RESISTOR 121K 1% .125W F TC=0+-100	28480	0699-1440
A3R38	0699-1374	4		RESISTOR 1.78K 1% .125W F TC=0+-100	28480	0699-1374
A3R39	0699-1366	4		RESISTOR 82.5 1% .125W F TC=0+-100	28480	0699-1366
A3R40	0699-1440	5		RESISTOR 121K 1% .125W F TC=0+-100	28480	0699-1440
A3R41	0699-1374	4		RESISTOR 1.78K 1% .125W F TC=0+-100	28480	0699-1374
A3R42	0699-1391	5	9	RESISTOR 10K 1% .125W F TC=0+-100	28480	0699-1391
A3R43	0699-1391	5		RESISTOR 10K 1% .125W F TC=0+-100	28480	0699-1391
A3R44	0699-1391	5		RESISTOR 10K 1% .125W F TC=0+-100	28480	0699-1391
A3R45	0699-1380	2	1	RESISTOR 3.16K 1% .125W F TC=0+-100	28480	0699-1380
A3R46	0699-1396	0	1	RESISTOR 17.8K 1% .125W F TC=0+-100	28480	0699-1396
A3R47	0699-1391	5		RESISTOR 10K 1% .125W F TC=0+-100	28480	0699-1391
A3R48	0699-1360	8	1	RESISTOR 46.4 1% .125W F TC=0+-100	28480	0699-1360
A3R49	0699-1418	7		RESISTOR 133 1% .125W F TC=0+-100	28480	0699-1418
A3R50	0699-1418	7		RESISTOR 133 1% .125W F TC=0+-100	28480	0699-1418
A3R51	0699-1391	5		RESISTOR 10K 1% .125W F TC=0+-100	28480	0699-1391
A3R52	0699-1448	3	2	RESISTOR 316K 1% .125W F TC=0+-100	28480	0699-1448
A3R53	0699-1448	3		RESISTOR 316K 1% .125W F TC=0+-100	28480	0699-1448
A3R54	0699-1401	8	1	RESISTOR 28.7K 1% .125W F TC=0+-100	28480	0699-1401
A3R55	0699-1400	7	1	RESISTOR 26.1K 1% .125W F TC=0+-100	28480	0699-1400
A3R56	0699-1344	8		RESISTOR 10 1% .125W F TC=0+-100	28480	0699-1344
A3R57	0699-1361	9		RESISTOR 51.1 1% .125W F TC=0+-100	28480	0699-1361
A3R58	0699-1344	8		RESISTOR 10 1% .125W F TC=0+-100	28480	0699-1344
A3R59	0699-1344	8		RESISTOR 10 1% .125W F TC=0+-100	28480	0699-1344
A3R60	0699-1361	9		RESISTOR 51.1 1% .125W F TC=0+-100	28480	0699-1361
A3R61	0699-1391	5		RESISTOR 10K 1% .125W F TC=0+-100	28480	0699-1391
A3R62	0699-1391	5		RESISTOR 10K 1% .125W F TC=0+-100	28480	0699-1391
A3R63	0699-1391	5		RESISTOR 10K 1% .125W F TC=0+-100	28480	0699-1391
A3R64	0699-1374	4		RESISTOR 1.78K 1% .125W F TC=0+-100	28480	0699-1374
A3R65	0699-1391	5		RESISTOR 10K 1% .125W F TC=0+-100	28480	0699-1391
A3TP1	0360-0077	5	1	TERMINAL-STUD SGL-TUR SWGFRM-MTG	28480	0360-0077
A3U1	1813-0213	3	4	IC WIDEBAND AMPL TO-39 PKG	04713	MWA130
A3U2	1813-0213	3		IC WIDEBAND AMPL TO-39 PKG	04713	MWA130
A3U3	1813-0213	3		IC WIDEBAND AMPL TO-39 PKG	04713	MWA130
A3U4	0955-0294	9	1	U-WAVE POWER SPLITTER 310 MHZ MAX	28480	0955-0294
A3U5	1826-1222	3	1	IC OP AMP H-SLEW-RATE QUAD 14-DIP-C PKG	28480	1826-1222
A3U6	1813-0213	3		IC WIDEBAND AMPL TO-39 PKG	04713	MWA130
A3U7	1826-0742	0	1	IC V RGLTR-V-REF-FXD 10V TO-5 PKG	28480	1826-0742
A3U8	1826-0138	8	1	IC COMPARATOR GP QUAD 14-DIP-P PKG	01295	LM339N



- ① THE SOLDER JOINT MUST BE SMOOTH AND HAVE A LOW PROFILE. THE LEAD OF L13 MUST NOT PROTRUDE THROUGH.
- ② MP3 MUST COVER SOLDER FILLET OF L13, BUT MUST NOT MAKE CONTACT WITH ANY GROUND PLANE THAT IS NOT COVERED BY SOLDER MASK MATERIAL.



J5

PIN	SIGNAL	TO/FROM	FUNCTION BLOCK
1	GND	A2J2-1	G
2	+12V	A2J2-2	G
3	-12V	A2J2-3	G
4	GND	A2J2-4	G
5	+5V	A2J2-5	G
6	DAMP PRESENT	A2J2-6	G
7	GND	A2J2-7	G
8	GND	A2J2-8	G
9	DAMP O.K.	A2J2-9	B
10	DAMP INPUT	A2J2-10	B

- NOTES:
- REFERENCE DESIGNATORS WITHIN THIS ASSEMBLY ARE ABBREVIATED. FOR COMPLETE REFERENCE DESIGNATION, PREFIX ABBREVIATION WITH ASSEMBLY DESIGNATION.
 - UNLESS OTHERWISE INDICATED: RESISTANCE IS IN OHMS (Ω); CAPACITANCE IS IN MICROFARADS (μF); INDUCTANCE IS IN MICRONEHRIES (μH).
 - UNLESS OTHERWISE INDICATED: SIGNALS ENTER AT LEFT SIDE AND EXIT AT RIGHT SIDE OF FUNCTION BLOCKS.
 - MEMORIC TABLE:
- | MEMORIC | DESCRIPTION |
|---------|-------------|
| | |

Component-Level Information Packet for 70310-60040

A4 Distribution Amplifier "A"



**HP Part No. 70310-90078
Printed in USA December 1994**

Notice. The information contained in this document is subject to change without notice.

Hewlett-Packard makes no warranty of any kind with regard to this material, including, but not limited to, the implied warranties of merchantability and fitness for a particular purpose. Hewlett-Packard shall not be liable for errors contained herein or for incidental or consequential damages in connection with the furnishing, performance, or use of this material.

©Copyright Hewlett-Packard Company 1994

All Rights Reserved. Reproduction, adaptation, or translation without prior written permission is prohibited, except as allowed under the copyright laws.

**HP Part Number 70310-60040
A4 Distribution Amplifier "A"**

Reference Designator	HP Part Number	Qty	Description	Mfr Code	Mfr Part Number
C1	0160-6734	1	CAP-FXD 0.047uF +-10% 50 V CER X7R	28480	0160-6734
C2	0160-6734	1	CAP-FXD 0.047uF +-10% 50 V CER X7R	28480	0160-6734
C3	0160-6734	1	CAP-FXD 0.047uF +-10% 50 V CER X7R	28480	0160-6734
C4	0160-6734	1	CAP-FXD 0.047uF +-10% 50 V CER X7R	28480	0160-6734
C6	0160-6734	1	CAP-FXD 0.047uF +-10% 50 V CER X7R	28480	0160-6734
C7	0160-6736	1	CAP-FXD 0.01uF +-10% 50 V CER X7R	28480	0160-6736
C8	0160-6736	1	CAP-FXD 0.01uF +-10% 50 V CER X7R	28480	0160-6736
C9	0160-6736	1	CAP-FXD 0.01uF +-10% 50 V CER X7R	28480	0160-6736
C10	0160-6736	1	CAP-FXD 0.01uF +-10% 50 V CER X7R	28480	0160-6736
C11	0160-6736	1	CAP-FXD 0.01uF +-10% 50 V CER X7R	28480	0160-6736
C12	0160-6736	1	CAP-FXD 0.01uF +-10% 50 V CER X7R	28480	0160-6736
C13	0160-6736	1	CAP-FXD 0.01uF +-10% 50 V CER X7R	28480	0160-6736
C14	0160-6736	1	CAP-FXD 0.01uF +-10% 50 V CER X7R	28480	0160-6736
C15	0160-6736	1	CAP-FXD 0.01uF +-10% 50 V CER X7R	28480	0160-6736
C16	0160-6736	1	CAP-FXD 0.01uF +-10% 50 V CER X7R	28480	0160-6736
C17	0160-6736	1	CAP-FXD 0.01uF +-10% 50 V CER X7R	28480	0160-6736
C18	0160-6734	1	CAP-FXD 0.047uF +-10% 50 V CER X7R	28480	0160-6734
C19	0160-6736	1	CAP-FXD 0.01uF +-10% 50 V CER X7R	28480	0160-6736
C20	0160-6734	1	CAP-FXD 0.047uF +-10% 50 V CER X7R	28480	0160-6734
C21	0160-6734	1	CAP-FXD 0.047uF +-10% 50 V CER X7R	28480	0160-6734
C22	0160-6734	1	CAP-FXD 0.047uF +-10% 50 V CER X7R	28480	0160-6734
C23	0180-0491	1	CAP-FXD 10uF +-20% 25 V TA	28480	0180-0491
C24	0180-2618	1	CAP-FXD 33uF +-10% 10 V TA	28480	0180-2618
C25	0180-0491	1	CAP-FXD 10uF +-20% 25 V TA	28480	0180-0491
C26	0160-6736	1	CAP-FXD 0.01uF +-10% 50 V CER X7R	28480	0160-6736
C27	0160-6736	1	CAP-FXD 0.01uF +-10% 50 V CER X7R	28480	0160-6736
C28	0160-6736	1	CAP-FXD 0.01uF +-10% 50 V CER X7R	28480	0160-6736
C29	0160-6736	1	CAP-FXD 0.01uF +-10% 50 V CER X7R	28480	0160-6736
C30	0160-6736	1	CAP-FXD 0.01uF +-10% 50 V CER X7R	28480	0160-6736
C31	0160-6736	1	CAP-FXD 0.01uF +-10% 50 V CER X7R	28480	0160-6736
C32	0160-6736	1	CAP-FXD 0.01uF +-10% 50 V CER X7R	28480	0160-6736
C33	0160-6736	1	CAP-FXD 0.01uF +-10% 50 V CER X7R	28480	0160-6736
C34	0160-6736	1	CAP-FXD 0.01uF +-10% 50 V CER X7R	28480	0160-6736
C35	0160-6736	1	CAP-FXD 0.01uF +-10% 50 V CER X7R	28480	0160-6736
C36	0160-6736	1	CAP-FXD 0.01uF +-10% 50 V CER X7R	28480	0160-6736

**Indicates factory-selected value*

**HP Part Number 70310-60040
A4 Distribution Amplifier "A" (continued)**

Reference Designator	HP Part Number	Qty	Description	Mfr Code	Mfr Part Number
C37	0160-6736	1	CAP-FXD 0.01uF +-10% 50 V CER X7R	28480	0160-6736
C38	0160-6734	1	CAP-FXD 0.047uF +-10% 50 V CER X7R	28480	0160-6734
C39	0160-6736	1	CAP-FXD 0.01uF +-10% 50 V CER X7R	28480	0160-6736
C40	0160-6736	1	CAP-FXD 0.01uF +-10% 50 V CER X7R	28480	0160-6736
C41	0160-6736	1	CAP-FXD 0.01uF +-10% 50 V CER X7R	28480	0160-6736
C42	0160-5978	1	CAP-FXD 2.2pF +-22.73% 50 V CER C0G	28480	0160-5978
C43	0160-5978	1	CAP-FXD 2.2pF +-22.73% 50 V CER C0G	28480	0160-5978
C44	0160-6736	1	CAP-FXD 0.01uF +-10% 50 V CER X7R	28480	0160-6736
C45	0160-5974	1	CAP-FXD 8.2pF +-6.1% 50 V CER C0G	28480	0160-5974
C46	0160-5962	1	CAP-FXD 15pF +-5% 50 V CER C0G	28480	0160-5962
C47	0160-5973	1	CAP-FXD 6.8pF +-7.35% 50 V CER C0G	28480	0160-5973
C48	0160-6736	1	CAP-FXD 0.01uF +-10% 50 V CER X7R	28480	0160-6736
C49	0160-6736	1	CAP-FXD 0.01uF +-10% 50 V CER X7R	28480	0160-6736
C50	0160-6670	1	CAP-FXD 3300pF +-5% 50 V CER C0G	28480	0160-6670
C51	0160-6734	1	CAP-FXD 0.047uF +-10% 50 V CER X7R	28480	0160-6734
C52	0160-6734	1	CAP-FXD 0.047uF +-10% 50 V CER X7R	28480	0160-6734
C53	0160-6736	1	CAP-FXD 0.01uF +-10% 50 V CER X7R	28480	0160-6736
C54	0160-5978	1	CAP-FXD 2.2pF +-22.73% 50 V CER C0G	28480	0160-5978
C55	0160-5978	1	CAP-FXD 2.2pF +-22.73% 50 V CER C0G	28480	0160-5978
C56	0160-6736	1	CAP-FXD 0.01uF +-10% 50 V CER X7R	28480	0160-6736
C57	0160-5974	1	CAP-FXD 8.2pF +-6.1% 50 V CER C0G	28480	0160-5974
C58	0160-5962	1	CAP-FXD 15pF +-5% 50 V CER C0G	28480	0160-5962
C59	0160-5973	1	CAP-FXD 6.8pF +-7.35% 50 V CER C0G	28480	0160-5973
C60	0160-6670	1	CAP-FXD 3300pF +-5% 50 V CER C0G	28480	0160-6670
C61	0160-6736	1	CAP-FXD 0.01uF +-10% 50 V CER X7R	28480	0160-6736
C62	0160-6736	1	CAP-FXD 0.01uF +-10% 50 V CER X7R	28480	0160-6736
C63	0160-5978	1	CAP-FXD 2.2pF +-22.73% 50 V CER C0G	28480	0160-5978
C64	0160-5978	1	CAP-FXD 2.2pF +-22.73% 50 V CER C0G	28480	0160-5978
C65	0160-6736	1	CAP-FXD 0.01uF +-10% 50 V CER X7R	28480	0160-6736
C66	0160-5974	1	CAP-FXD 8.2pF +-6.1% 50 V CER C0G	28480	0160-5974
C67	0160-5962	1	CAP-FXD 15pF +-5% 50 V CER C0G	28480	0160-5962
C68	0160-5973	1	CAP-FXD 6.8pF +-7.35% 50 V CER C0G	28480	0160-5973
C69	0160-6736	1	CAP-FXD 0.01uF +-10% 50 V CER X7R	28480	0160-6736
C70	0160-6670	1	CAP-FXD 3300pF +-5% 50 V CER C0G	28480	0160-6670
C71	0160-6736	1	CAP-FXD 0.01uF +-10% 50 V CER X7R	28480	0160-6736

**HP Part Number 70310-60040
A4 Distribution Amplifier "A" (continued)**

Reference Designator	HP Part Number	Qty	Description	Mfr Code	Mfr Part Number
C73	0160-6736	1	CAP-FXD 0.01uF +-10% 50 V CER X7R	28480	0160-6736
C74	0160-6736	1	CAP-FXD 0.01uF +-10% 50 V CER X7R	28480	0160-6736
C75	0160-6736	1	CAP-FXD 0.01uF +-10% 50 V CER X7R	28480	0160-6736
C76	0160-6736	1	CAP-FXD 0.01uF +-10% 50 V CER X7R	28480	0160-6736
C77	0160-6736	1	CAP-FXD 0.01uF +-10% 50 V CER X7R	28480	0160-6736
C78	0160-6734	1	CAP-FXD 0.047uF +-10% 50 V CER X7R	28480	0160-6734
C79	0160-6736	1	CAP-FXD 0.01uF +-10% 50 V CER X7R	28480	0160-6736
C80	0180-2618	1	CAP-FXD 33uF +-10% 10 V TA	28480	0180-2618
CR1	70310-60036	1	6 MTCHEDED DIODES	28480	70310-60036
CR3	1901-0639	1	DIODE-PIN	28480	1901-0639
CR4	1901-0639	1	DIODE-PIN	28480	1901-0639
CR5	1901-0639	1	DIODE-PIN	28480	1901-0639
CR6	1901-1227	1	DIODE-SWITCHING 75V 200MA 6NS TO-236	28480	1901-1227
CR7	1901-1227	1	DIODE-SWITCHING 75V 200MA 6NS TO-236	28480	1901-1227
CR8	1901-1227	1	DIODE-SWITCHING 75V 200MA 6NS TO-236	28480	1901-1227
CR9	1901-0639	1	DIODE-PIN	28480	1901-0639
CR10	1901-0639	1	DIODE-PIN	28480	1901-0639
CR11	1901-0639	1	DIODE-PIN	28480	1901-0639
CR16	1901-0639	1	DIODE-PIN	28480	1901-0639
CR17	1901-0639	1	DIODE-PIN	28480	1901-0639
CR18	1901-0639	1	DIODE-PIN	28480	1901-0639
J1	1251-4928	1	CONN-POST TYPE .100-PIN-SPCG-MTG-END	28480	1251-4928
J2	1250-0257	1	CONNECTOR-RF SMB PLUG PC-W-STDFS 50-OHM	28480	1250-0257
J3	1250-0257	1	CONNECTOR-RF SMB PLUG PC-W-STDFS 50-OHM	28480	1250-0257
J4	1250-0257	1	CONNECTOR-RF SMB PLUG PC-W-STDFS 50-OHM	28480	1250-0257
J5	1250-0257	1	CONNECTOR-RF SMB PLUG PC-W-STDFS 50-OHM	28480	1250-0257
L1	9140-0736	1	INDUCTOR 200uH .3W-INX.4LG-IN	28480	9140-0736
L2	9140-0736	1	INDUCTOR 200uH .3W-INX.4LG-IN	28480	9140-0736
L3	9140-0736	1	INDUCTOR 200uH .3W-INX.4LG-IN	28480	9140-0736
L4	9170-1276	1	CORE-FERRITE WIDE-BAND CHOKE; Z:750 OHMS	28480	9170-1276
L5	9170-1276	1	CORE-FERRITE WIDE-BAND CHOKE; Z:750 OHMS	28480	9170-1276
L6	9140-1152	1	INDUCTOR 30nH +-20% .11W-INX.115LG-IN	28480	9140-1152
L7	9140-1152	1	INDUCTOR 30nH +-20% .11W-INX.115LG-IN	28480	9140-1152
L8	9170-1276	1	CORE-FERRITE WIDE-BAND CHOKE; Z:750 OHMS	28480	9170-1276
L9	9140-1152	1	INDUCTOR 30nH +-20% .11W-INX.115LG-IN	28480	9140-1152

**Indicates factory-selected value*

**HP Part Number 70310-60040
A4 Distribution Amplifier "A" (continued)**

Reference Designator	HP Part Number	Qty	Description	Mfr Code	Mfr Part Number
L10	9140-1152	1	INDUCTOR 30nH +-20% .11W-INX.115LG-IN	28480	9140-1152
L11	9170-1276	1	CORE-FERRITE WIDE-BAND CHOKE; Z:750 OHMS	28480	9170-1276
L12	9140-1152	1	INDUCTOR 30nH +-20% .11W-INX.115LG-IN	28480	9140-1152
L13	9140-1152	1	INDUCTOR 30nH +-20% .11W-INX.115LG-IN	28480	9140-1152
MP3	1200-0173	1	INSULATOR-XSTR DAP-GL	02210	A-10001 DAP
Q1	1853-0567	1	TRANSISTOR PNP SI SOT-23 (TO-236AB)	28480	1853-0567
Q2	1853-0567	1	TRANSISTOR PNP SI SOT-23 (TO-236AB)	28480	1853-0567
Q3	1853-0567	1	TRANSISTOR PNP SI SOT-23 (TO-236AB)	28480	1853-0567
R1	0699-1344	1	RESISTOR 10 +-1% .125W TKF TC=0+-100	28480	0699-1344
R2	0699-1344	1	RESISTOR 10 +-1% .125W TKF TC=0+-100	28480	0699-1344
R3	0699-1361	1	RESISTOR 51.1 +-1% .125W TKF TC=0+-100	28480	0699-1361
R4	0699-1361	1	RESISTOR 51.1 +-1% .125W TKF TC=0+-100	28480	0699-1361
R5	0699-1448	1	RESISTOR 316K +-1% .125W TKF TC=0+-100	28480	0699-1448
R6	0699-1448	1	RESISTOR 316K +-1% .125W TKF TC=0+-100	28480	0699-1448
R7	0699-1374	1	RESISTOR 1.78K +-1% .125W TKF TC=0+-100	28480	0699-1374
R8	0699-1440	1	RESISTOR 121K +-1% .125W TKF TC=0+-100	28480	0699-1440
R9	0699-1374	1	RESISTOR 1.78K +-1% .125W TKF TC=0+-100	28480	0699-1374
R10	0699-1440	1	RESISTOR 121K +-1% .125W TKF TC=0+-100	28480	0699-1440
R11	0699-1440	1	RESISTOR 121K +-1% .125W TKF TC=0+-100	28480	0699-1440
R12	0699-1374	1	RESISTOR 1.78K +-1% .125W TKF TC=0+-100	28480	0699-1374
R13	0699-1371	1	RESISTOR 1.33K +-1% .125W TKF TC=0+-100	28480	0699-1371
R14	0699-1385	1	RESISTOR 5.11K +-1% .125W TKF TC=0+-100	28480	0699-1385
R15	0699-1378	1	RESISTOR 2.61K +-1% .125W TKF TC=0+-100	28480	0699-1378
R16	0699-1359	1	RESISTOR 42.2 +-1% .125W TKF TC=0+-100	28480	0699-1359
R17	0699-1378	1	RESISTOR 2.61K +-1% .125W TKF TC=0+-100	28480	0699-1378
R18	0699-1418	1	RESISTOR 133 +-1% .125W TKF TC=0+-100	28480	0699-1418
R19	0699-1360	1	RESISTOR 46.4 +-1% .125W TKF TC=0+-100	28480	0699-1360
R20	0699-1418	1	RESISTOR 133 +-1% .125W TKF TC=0+-100	28480	0699-1418
R21	0699-1391	1	RESISTOR 10K +-1% .125W TKF TC=0+-100	28480	0699-1391
R22	0699-1391	1	RESISTOR 10K +-1% .125W TKF TC=0+-100	28480	0699-1391
R23	0699-1391	1	RESISTOR 10K +-1% .125W TKF TC=0+-100	28480	0699-1391
R24	0699-1383	1	RESISTOR 4.22K +-1% .125W TKF TC=0+-100	28480	0699-1383
R25	0699-1396	1	RESISTOR 17.8K +-1% .125W TKF TC=0+-100	28480	0699-1396
R26	0699-1391	1	RESISTOR 10K +-1% .125W TKF TC=0+-100	28480	0699-1391
R27	0699-1374	1	RESISTOR 1.78K +-1% .125W TKF TC=0+-100	28480	0699-1374

**HP Part Number 70310-60040
A4 Distribution Amplifier "A" (continued)**

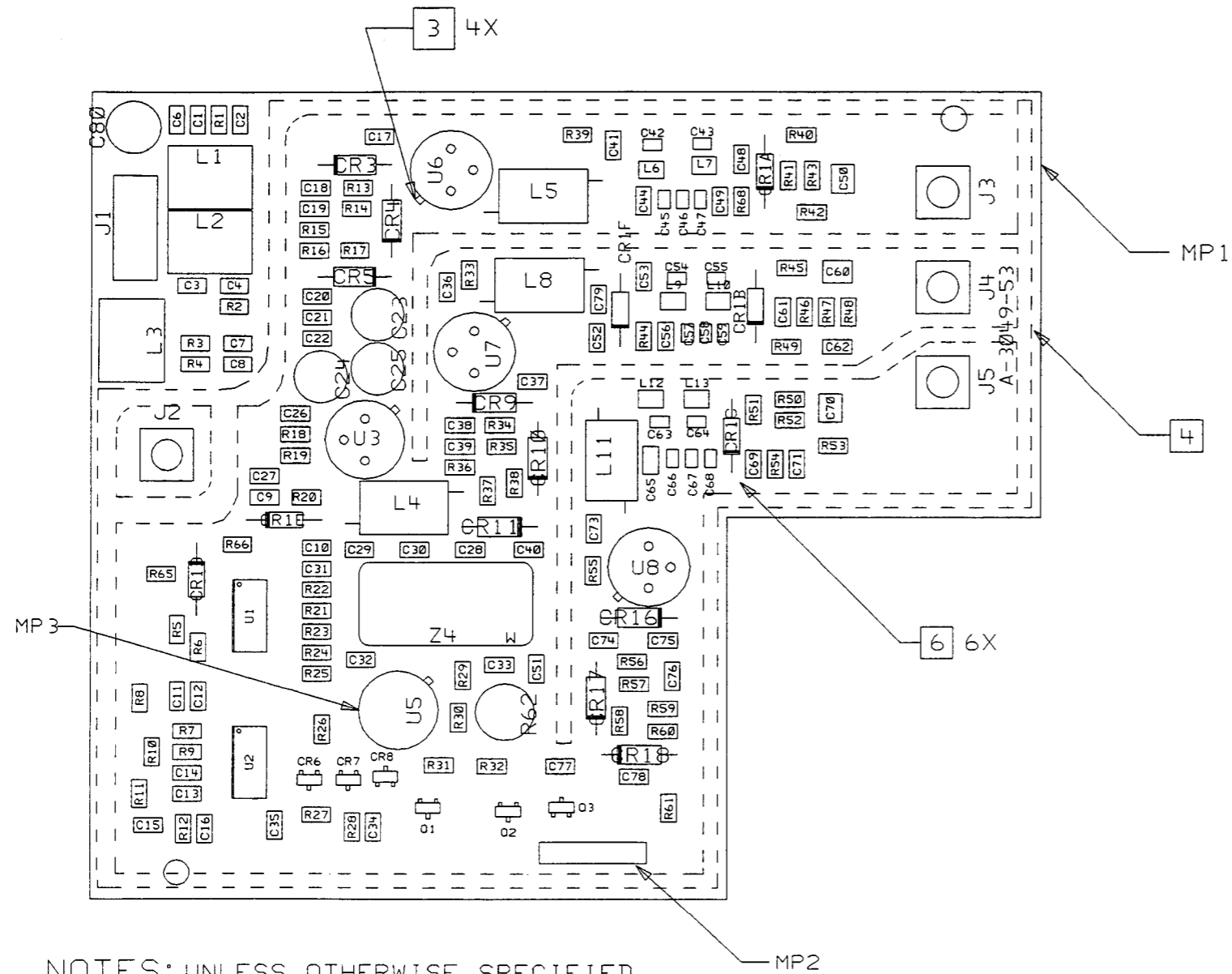
Reference Designator	HP Part Number	Qty	Description	Mfr Code	Mfr Part Number
R28	0699-1440	1	RESISTOR 121K +-1% .125W TKF TC=0+-100	28480	0699-1440
R29	0699-1391	1	RESISTOR 10K +-1% .125W TKF TC=0+-100	28480	0699-1391
R30	0699-1366	1	RESISTOR 82.5 +-1% .125W TKF TC=0+-100	28480	0699-1366
R31	0699-1418	1	RESISTOR 133 +-1% .125W TKF TC=0+-100	28480	0699-1418
R32	0699-1418	1	RESISTOR 133 +-1% .125W TKF TC=0+-100	28480	0699-1418
R33	0699-1344	1	RESISTOR 10 +-1% .125W TKF TC=0+-100	28480	0699-1344
R34	0699-1371	1	RESISTOR 1.33K +-1% .125W TKF TC=0+-100	28480	0699-1371
R35	0699-1385	1	RESISTOR 5.11K +-1% .125W TKF TC=0+-100	28480	0699-1385
R36	0699-1378	1	RESISTOR 2.61K +-1% .125W TKF TC=0+-100	28480	0699-1378
R37	0699-1359	1	RESISTOR 42.2 +-1% .125W TKF TC=0+-100	28480	0699-1359
R38	0699-1378	1	RESISTOR 2.61K +-1% .125W TKF TC=0+-100	28480	0699-1378
R39	0699-1344	1	RESISTOR 10 +-1% .125W TKF TC=0+-100	28480	0699-1344
R40	0699-1356	1	RESISTOR 31.6 +-1% .125W TKF TC=0+-100	28480	0699-1356
R41	0699-1361	1	RESISTOR 51.1 +-1% .125W TKF TC=0+-100	28480	0699-1361
R42	0699-1366	1	RESISTOR 82.5 +-1% .125W TKF TC=0+-100	28480	0699-1366
R43	0699-1361	1	RESISTOR 51.1 +-1% .125W TKF TC=0+-100	28480	0699-1361
R44	0699-1391	1	RESISTOR 10K +-1% .125W TKF TC=0+-100	28480	0699-1391
R45	0699-1356	1	RESISTOR 31.6 +-1% .125W TKF TC=0+-100	28480	0699-1356
R46	0699-1361	1	RESISTOR 51.1 +-1% .125W TKF TC=0+-100	28480	0699-1361
R47	0699-1361	1	RESISTOR 51.1 +-1% .125W TKF TC=0+-100	28480	0699-1361
R48	0699-1366	1	RESISTOR 82.5 +-1% .125W TKF TC=0+-100	28480	0699-1366
R49	0699-1391	1	RESISTOR 10K +-1% .125W TKF TC=0+-100	28480	0699-1391
R50	0699-1356	1	RESISTOR 31.6 +-1% .125W TKF TC=0+-100	28480	0699-1356
R51	0699-1361	1	RESISTOR 51.1 +-1% .125W TKF TC=0+-100	28480	0699-1361
R52	0699-1361	1	RESISTOR 51.1 +-1% .125W TKF TC=0+-100	28480	0699-1361
R53	0699-1366	1	RESISTOR 82.5 +-1% .125W TKF TC=0+-100	28480	0699-1366
R54	0699-1391	1	RESISTOR 10K +-1% .125W TKF TC=0+-100	28480	0699-1391
R55	0699-1344	1	RESISTOR 10 +-1% .125W TKF TC=0+-100	28480	0699-1344
R56	0699-1371	1	RESISTOR 1.33K +-1% .125W TKF TC=0+-100	28480	0699-1371
R57	0699-1385	1	RESISTOR 5.11K +-1% .125W TKF TC=0+-100	28480	0699-1385
R58	0699-1378	1	RESISTOR 2.61K +-1% .125W TKF TC=0+-100	28480	0699-1378
R59	0699-1378	1	RESISTOR 2.61K +-1% .125W TKF TC=0+-100	28480	0699-1378
R60	0699-1359	1	RESISTOR 42.2 +-1% .125W TKF TC=0+-100	28480	0699-1359
R61	0699-1418	1	RESISTOR 133 +-1% .125W TKF TC=0+-100	28480	0699-1418
R62	2100-4195	1	RESISTOR-TRMR 100 10% TKF TOP-ADJ 1-TRN	28480	2100-4195

**Indicates factory-selected value*

**HP Part Number 70310-60040
A4 Distribution Amplifier "A" (continued)**

Reference Designator	HP Part Number	Qty	Description	Mfr Code	Mfr Part Number
R65	0699-1400	1	RESISTOR 26.1K +-1% .125W TKF TC=0+-100	28480	0699-1400
R66	0699-1401	1	RESISTOR 28.7K +-1% .125W TKF TC=0+-100	28480	0699-1401
R68	0699-1391	1	RESISTOR 10K +-1% .125W TKF TC=0+-100	28480	0699-1391
U1	1826-1528	1	IC COMPARATOR LP QUAD 14 PIN PLSTC-SOIC	28480	1826-1528
U2	1826-2171	1	IC OP AMP LOW-BIAS-H-IMPD QUAD 14 PIN	28480	1826-2171
U3	1813-0213	1	IC WIDEBAND AMPL TO-39	28480	1813-0213
U4	0955-0294	1	U-WAVE POWER SPLITTER 310 MHZ MAX	02739	PSC-3-1-27
U5	1826-0742	1	IC PWR MGT-V-REF-FXD 0/10V TO-5 PKG	28480	1826-0742
U6	1813-0213	1	IC WIDEBAND AMPL TO-39	28480	1813-0213
U7	1813-0213	1	IC WIDEBAND AMPL TO-39	28480	1813-0213
U8	1813-0213	1	IC WIDEBAND AMPL TO-39	28480	1813-0213

SYM	REVISIONS	APPROVED	DATE
A	AS ISSUED PER PCO 53-06814		



NOTES: UNLESS OTHERWISE SPECIFIED

1. MAXIMUM COMPONENT HEIGHT .400
2. MAXIMUM LEAD TRIM LENGTH .060
3. SURFACE SOLDER TABS OF U3, U6, U7 AND U8 TO P.C. BOARD. SOLDER MUST NOT FLOW ONTO GASKET AREA OF GROUND STRIP.
4. MOUNTING HOLES AND AREA SHOWN WITHIN DOTTED LINES, ON BOTTOM SIDE OF BOARD, MUST BE FREE OF EXCESSIVE SOLDER.
5. COMPONENTS MUST NOT HANG OVER GASKET AREAS.
6. CR1A, 1B, 1C, 1D, 1E AND 1F ARE A MATCHED SET OF 6 DIODES. ANY ASSEMBLY OR REPLACEMENT MUST BE WITH A FULL SET OF 6.

SEE 70310-60040 MATERIAL LIST

HP PROPRIETARY
THIS DOCUMENT CONTAINS CONFIDENTIAL,
PROPRIETARY INFORMATION THAT IS
HEWLETT-PACKARD (HP) PROPERTY.
DO NOT DISCLOSE TO OR DUPLICATE FOR
OTHERS EXCEPT AS AUTHORIZED BY HP.

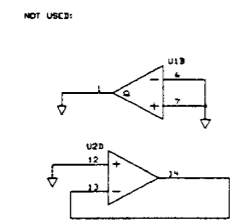
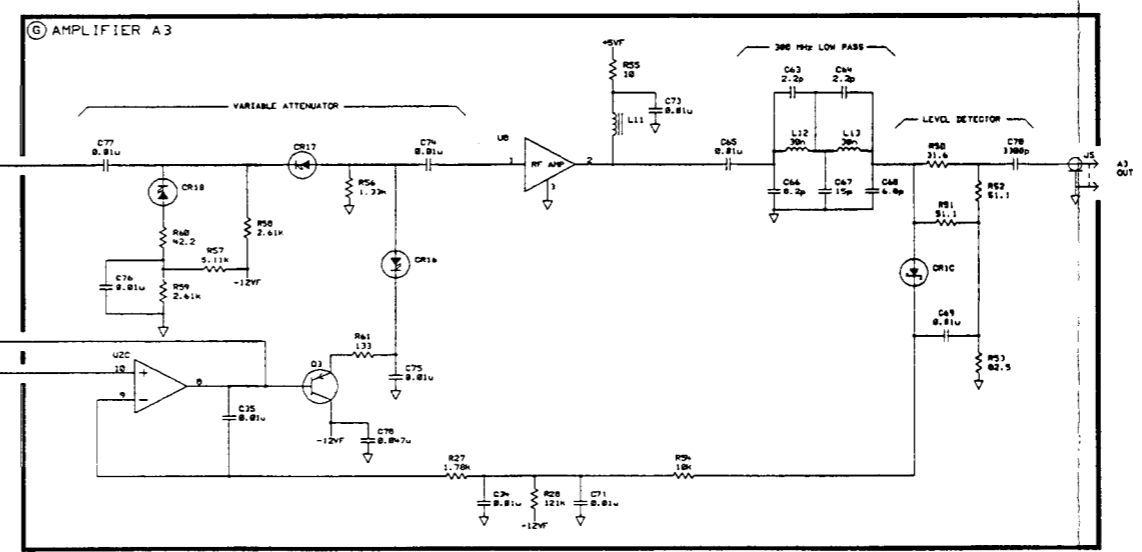
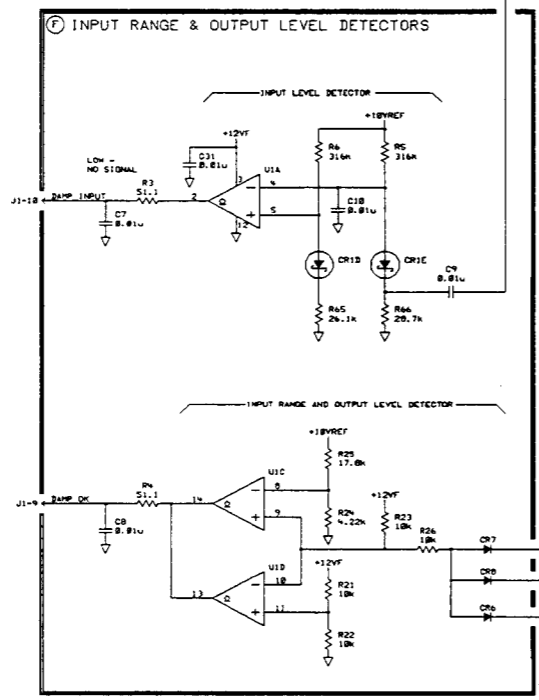
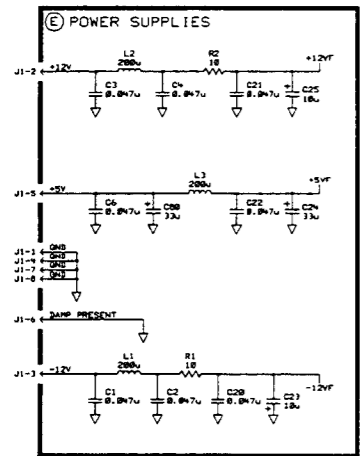
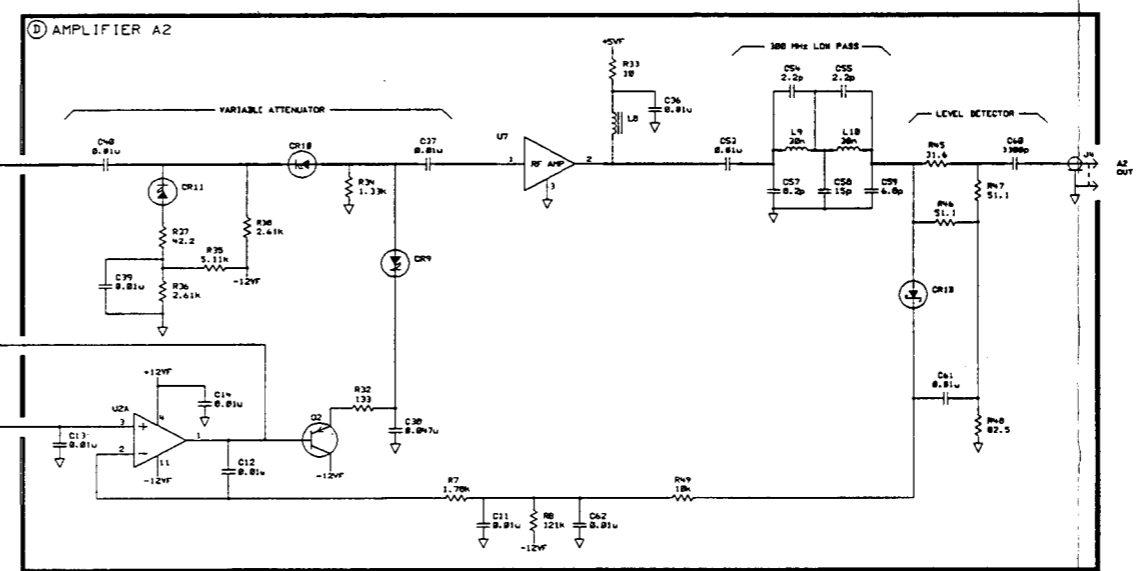
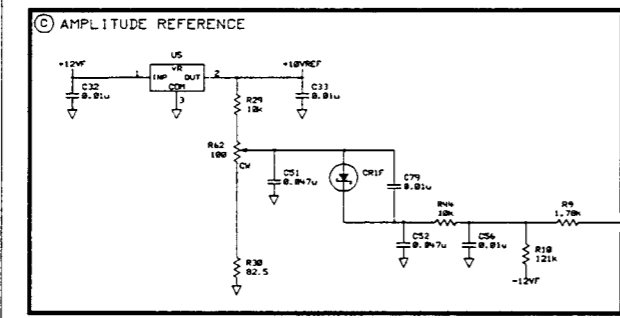
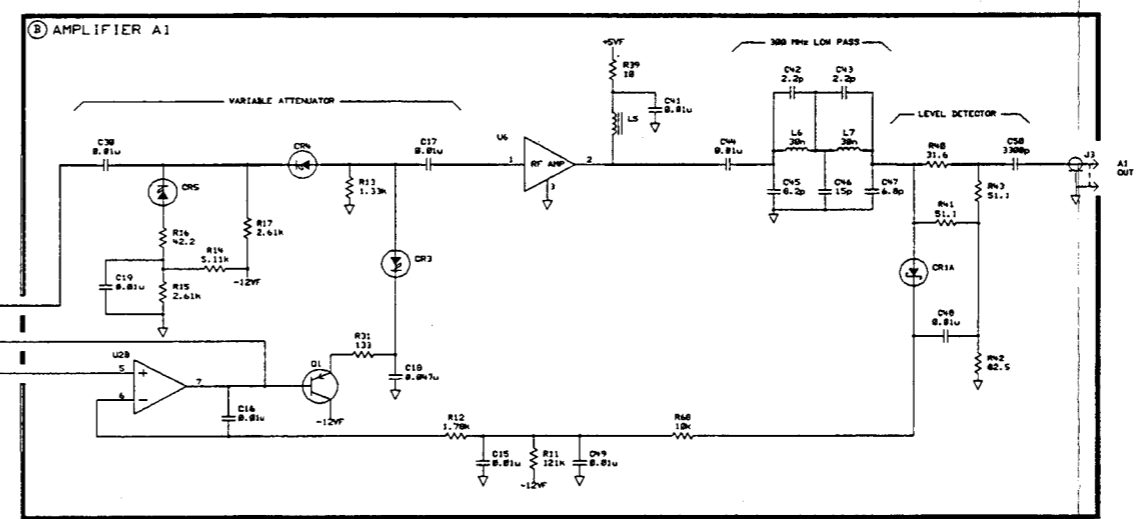
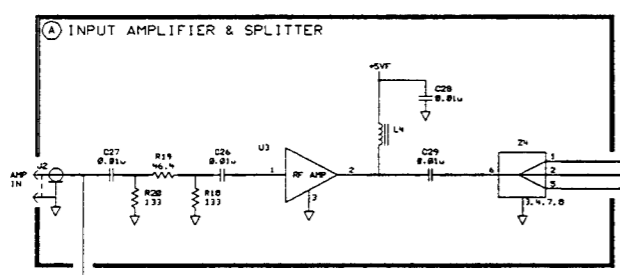
UNLESS OTHERWISE SPECIFIED,
DIMENSIONS ARE IN INCHES.
TOLERANCES: XX.XXX ±.010
 XX.XX ±.02
THIRD ANGLE
PROJECTION
DO NOT SCALE THIS DRAWING

DRAWN BY	DATE
ENGINEER/CHECKER	DATE
RELEASE TO PROD.	DATE
SUPERSEDES DWG.	

ASSEMBLY, PWB
DISTRIBUTION
AMPLIFIER A
TITLE

a1abz040 FILENAME	HEWLETT PACKARD
SCALE NONE	
SHEET 1 OF 1	70310-60040 PART NUMBER
C-70310-60040-2	

5300 3049		D-70310-60040-1	
SYN	REVISIONS	APPROVED	DATE
A	AS ISSUED PER PCO 53-06814		8-20-91
B	CHANGED PER PCO 53-07296		12-17-91



NOTES:

- REFERENCE DESIGNATORS WITHIN THIS ASSEMBLY ARE ABBREVIATED. PREFIX ABBREVIATION WITH ASSEMBLY NUMBER FOR COMPLETE REFERENCE DESIGNATOR.
- UNLESS OTHERWISE INDICATED: RESISTANCE IN OHMS (Ω); CAPACITANCE IN MICROFARADS (μF); INDUCTANCE IN MICROHENRIES (μH).
- SYMBOLIC TABLE

SYMBOLIC	DESCRIPTION

HP PROPRIETARY
THIS DOCUMENT CONTAINS CONFIDENTIAL PROPRIETARY INFORMATION THAT IS HEWLETT-PACKARD (HP) PROPERTY. DO NOT DISCLOSE TO OR DUPLICATE FOR OTHERS EXCEPT AS AUTHORIZED BY HP.

DRAWN BY	DATE	SCHEMATIC, PWA DISTRIBUTION AMPLIFIER A	slab2040	HEWLETT PACKARD	
ENGINEER/CHECKER	DATE		SCALE NONE		FILENAME
RELEASE TO PROD.	DATE		SHEET 1 OF 1		70310-60040
SUPersedes DWG.	DATE		PART NUMBER		D-70310-60040-1

Component-Level Information Packet for 70310-60004

A4 Distribution Amplifier "A"



**HP Part No. 70310-90065
Printed in USA December 1994**

Notice. The information contained in this document is subject to change without notice.

Hewlett-Packard makes no warranty of any kind with regard to this material, including, but not limited to, the implied warranties of merchantability and fitness for a particular purpose. Hewlett-Packard shall not be liable for errors contained herein or for incidental or consequential damages in connection with the furnishing, performance, or use of this material.

©Copyright Hewlett-Packard Company 1989, 1994

All Rights Reserved. Reproduction, adaptation, or translation without prior written permission is prohibited, except as allowed under the copyright laws.

HP Part Number 70310-60004
A4 Distribution Amplifier "A"

Reference Designation	HP Part Number	C D	Qty	Description	Mfr Code	Mfr Part Number
A4	70310-60004	8	1	BD ASSY-DISTRIBUTION AMPLIFIER "A" (ADD FOR OPT 001)	28480	70310-60004
A4C1	0160-5944	1	13	CAPACITOR-FXD .047UF +-10% 50VDC CER	28480	0160-5944
A4C2	0160-5944	1		CAPACITOR-FXD .047UF +-10% 50VDC CER	28480	0160-5944
A4C3	0160-5944	1		CAPACITOR-FXD .047UF +-10% 50VDC CER	28480	0160-5944
A4C4	0160-5944	1		CAPACITOR-FXD .047UF +-10% 50VDC CER	28480	0160-5944
A4C6	0160-5944	1		CAPACITOR-FXD .047UF +-10% 50VDC CER	28480	0160-5944
A4C7	0160-5945	2	43	CAPACITOR-FXD .01UF +-10% 50VDC CER	28480	0160-5945
A4C8	0160-5945	2		CAPACITOR-FXD .01UF +-10% 50VDC CER	28480	0160-5945
A4C9	0160-5945	2		CAPACITOR-FXD .01UF +-10% 50VDC CER	28480	0160-5945
A4C10	0160-5945	2		CAPACITOR-FXD .01UF +-10% 50VDC CER	28480	0160-5945
A4C11	0160-5945	2		CAPACITOR-FXD .01UF +-10% 50VDC CER	28480	0160-5945
A4C12	0160-5945	2		CAPACITOR-FXD .01UF +-10% 50VDC CER	28480	0160-5945
A4C13	0160-5945	2		CAPACITOR-FXD .01UF +-10% 50VDC CER	28480	0160-5945
A4C14	0160-5945	2		CAPACITOR-FXD .01UF +-10% 50VDC CER	28480	0160-5945
A4C15	0160-5945	2		CAPACITOR-FXD .01UF +-10% 50VDC CER	28480	0160-5945
A4C16	0160-5945	2		CAPACITOR-FXD .01UF +-10% 50VDC CER	28480	0160-5945
A4C17	0160-5945	2		CAPACITOR-FXD .01UF +-10% 50VDC CER	28480	0160-5945
A4C18	0160-5944	1		CAPACITOR-FXD .047UF +-10% 50VDC CER	28480	0160-5944
A4C19	0160-5945	2		CAPACITOR-FXD .01UF +-10% 50VDC CER	28480	0160-5945
A4C20	0160-5944	1		CAPACITOR-FXD .047UF +-10% 50VDC CER	28480	0160-5944
A4C21	0160-5944	1		CAPACITOR-FXD .047UF +-10% 50VDC CER	28480	0160-5944
A4C22	0160-5944	1		CAPACITOR-FXD .047UF +-10% 50VDC CER	28480	0160-5944
A4C23	0180-2697	7	2	CAPACITOR-FXD 10UF+-10% 25VDC TA	28480	0180-2697
A4C24	0180-2618	2	2	CAPACITOR-FXD 33UF+-10% 10VDC TA	25088	D33GS1810K
A4C25	0180-2697	7		CAPACITOR-FXD 10UF+-10% 25VDC TA	28480	0180-2697
A4C26	0160-5945	2		CAPACITOR-FXD .01UF +-10% 50VDC CER	28480	0160-5945
A4C27	0160-5945	2		CAPACITOR-FXD .01UF +-10% 50VDC CER	28480	0160-5945
A4C28	0160-5945	2		CAPACITOR-FXD .01UF +-10% 50VDC CER	28480	0160-5945
A4C29	0160-5945	2		CAPACITOR-FXD .01UF +-10% 50VDC CER	28480	0160-5945
A4C30	0160-5945	2		CAPACITOR-FXD .01UF +-10% 50VDC CER	28480	0160-5945
A4C31	0160-5945	2		CAPACITOR-FXD .01UF +-10% 50VDC CER	28480	0160-5945
A4C32	0160-5945	2		CAPACITOR-FXD .01UF +-10% 50VDC CER	28480	0160-5945
A4C33	0160-5945	2		CAPACITOR-FXD .01UF +-10% 50VDC CER	28480	0160-5945
A4C34	0160-5945	2		CAPACITOR-FXD .01UF +-10% 50VDC CER	28480	0160-5945
A4C35	0160-5945	2		CAPACITOR-FXD .01UF +-10% 50VDC CER	28480	0160-5945
A4C36	0160-5945	2		CAPACITOR-FXD .01UF +-10% 50VDC CER	28480	0160-5945
A4C37	0160-5945	2		CAPACITOR-FXD .01UF +-10% 50VDC CER	28480	0160-5945
A4C38	0160-5944	1		CAPACITOR-FXD .047UF +-10% 50VDC CER	28480	0160-5944
A4C39	0160-5945	2		CAPACITOR-FXD .01UF +-10% 50VDC CER	28480	0160-5945
A4C40	0160-5945	2		CAPACITOR-FXD .01UF +-10% 50VDC CER	28480	0160-5945
A4C41	0160-5945	2		CAPACITOR-FXD .01UF +-10% 50VDC CER	28480	0160-5945
A4C42	0160-5978	1	6	CAPACITOR-FXD 2.2PF +- .25PF 50VDC CER	28480	0160-5978
A4C43	0160-5978	1		CAPACITOR-FXD 2.2PF +- .25PF 50VDC CER	28480	0160-5978
A4C44	0160-5945	2		CAPACITOR-FXD .01UF +-10% 50VDC CER	28480	0160-5945
A4C45	0160-5974	7	3	CAPACITOR-FXD 8.2PF +- .5PF 50VDC CER	28480	0160-5974
A4C46	0160-5962	3	3	CAPACITOR-FXD 15PF +-5% 50VDC CER 0+-30	28480	0160-5962
A4C47	0160-5973	6	3	CAPACITOR-FXD 6.8PF +- .5PF 50VDC CER	28480	0160-5973
A4C48	0160-5945	2		CAPACITOR-FXD .01UF +-10% 50VDC CER	28480	0160-5945
A4C49	0160-5945	2		CAPACITOR-FXD .01UF +-10% 50VDC CER	28480	0160-5945

*Indicates factory-selected value

HP Part Number 70310-60004
A4 Distribution Amplifier "A"

Reference Designation	HP Part Number	C D	Qty	Description	Mfr Code	Mfr Part Number
A4C50	0160-5946	3	3	CAPACITOR-FXD 3300PF +-10% 50VDC CER	28480	0160-5946
A4C51	0160-5944	1		CAPACITOR-FXD .047UF +-10% 50VDC CER	28480	0160-5944
A4C52	0160-5944	1		CAPACITOR-FXD .047UF +-10% 50VDC CER	28480	0160-5944
A4C53	0160-5945	2		CAPACITOR-FXD .01UF +-10% 50VDC CER	28480	0160-5945
A4C54	0160-5978	1		CAPACITOR-FXD 2.2PF +- .25PF 50VDC CER	28480	0160-5978
A4C55	0160-5978	1		CAPACITOR-FXD 2.2PF +- .25PF 50VDC CER	28480	0160-5978
A4C56	0160-5945	2		CAPACITOR-FXD .01UF +-10% 50VDC CER	28480	0160-5945
A4C57	0160-5974	7		CAPACITOR-FXD 8.2PF +- .5PF 50VDC CER	28480	0160-5974
A4C58	0160-5962	3		CAPACITOR-FXD 15PF +-5% 50VDC CER 0+-30	28480	0160-5962
A4C59	0160-5973	6		CAPACITOR-FXD 6.8PF +- .5PF 50VDC CER	28480	0160-5973
A4C60	0160-5946	3		CAPACITOR-FXD 3300PF +-10% 50VDC CER	28480	0160-5946
A4C61	0160-5945	2		CAPACITOR-FXD .01UF +-10% 50VDC CER	28480	0160-5945
A4C62	0160-5945	2		CAPACITOR-FXD .01UF +-10% 50VDC CER	28480	0160-5945
A4C63	0160-5978	1		CAPACITOR-FXD 2.2PF +- .25PF 50VDC CER	28480	0160-5978
A4C64	0160-5978	1		CAPACITOR-FXD 2.2PF +- .25PF 50VDC CER	28480	0160-5978
A4C65	0160-5945	2		CAPACITOR-FXD .01UF +-10% 50VDC CER	28480	0160-5945
A4C66	0160-5974	7		CAPACITOR-FXD 8.2PF +- .5PF 50VDC CER	28480	0160-5974
A4C67	0160-5962	3		CAPACITOR-FXD 15PF +-5% 50VDC CER 0+-30	28480	0160-5962
A4C68	0160-5973	6		CAPACITOR-FXD 6.8PF +- .5PF 50VDC CER	28480	0160-5973
A4C69	0160-5945	2		CAPACITOR-FXD .01UF +-10% 50VDC CER	28480	0160-5945
A4C70	0160-5946	3		CAPACITOR-FXD 3300PF +-10% 50VDC CER	28480	0160-5946
A4C71	0160-5945	2		CAPACITOR-FXD .01UF +-10% 50VDC CER	28480	0160-5945
A4C73	0160-5945	2		CAPACITOR-FXD .01UF +-10% 50VDC CER	28480	0160-5945
A4C74	0160-5945	2		CAPACITOR-FXD .01UF +-10% 50VDC CER	28480	0160-5945
A4C75	0160-5945	2		CAPACITOR-FXD .01UF +-10% 50VDC CER	28480	0160-5945
A4C76	0160-5945	2		CAPACITOR-FXD .01UF +-10% 50VDC CER	28480	0160-5945
A4C77	0160-5945	2		CAPACITOR-FXD .01UF +-10% 50VDC CER	28480	0160-5945
A4C78	0160-5944	1		CAPACITOR-FXD .047UF +-10% 50VDC CER	28480	0160-5944
A4C79	0160-5945	2		CAPACITOR-FXD .01UF +-10% 50VDC CER	28480	0160-5945
A4C80	0180-2618	2		CAPACITOR-FXD 33UF+-10% 10VDC TA	25088	D33GS1810K
A4CR1**	70310-60036	6	1**	MATCHED SET-SIX DIODES	28480	70310-60036
A4CR2**	70310-60036	6		MATCHED SET-SIX DIODES	28480	70310-60036
A4CR3	1901-0639	4	9	DIODE-PIN	28480	5082-3080
A4CR4	1901-0639	4		DIODE-PIN	28480	5082-3080
A4CR5	1901-0639	4		DIODE-PIN	28480	5082-3080
A4CR6	1901-0050	3	3	DIODE-SWITCHING 80V 200MA 2NS DO-35	9N171	1N4150
A4CR7	1901-0050	3		DIODE-SWITCHING 80V 200MA 2NS DO-35	9N171	1N4150
A4CR8	1901-0050	3		DIODE-SWITCHING 80V 200MA 2NS DO-35	9N171	1N4150
A4CR9	1901-0639	4		DIODE-PIN	28480	5082-3080
A4CR10	1901-0639	4		DIODE-PIN	28480	5082-3080
A4CR11	1901-0639	4		DIODE-PIN	28480	5082-3080
A4CR12**	70310-60036	6		MATCHED SET-SIX DIODES	28480	70310-60036
A4CR13**	70310-60036	6		MATCHED SET-SIX DIODES	28480	70310-60036
A4CR14**	70310-60036	6		MATCHED SET-SIX DIODES	28480	70310-60036
A4CR15**	70310-60036	6		MATCHED SET-SIX DIODES	28480	70310-60036
A4CR16	1901-0639	4		DIODE-PIN	28480	5082-3080
A4CR17	1901-0639	4		DIODE-PIN	28480	5082-3080
A4CR18	1901-0639	4		DIODE-PIN	28480	5082-3080
A4J1	1251-4928	3	1	CONNECTOR 10-PIN M POST TYPE	22526	65611-110
A4J2	1250-0257	1	4	CONNECTOR-RF SMB M PC 50-OHM	28480	1250-0257

**NOTE: CR1, 2, 12, 13, 14, & 15 ARE A
MATCHED SET. ALL SIX MUST BE REPLACED
IF ONE NEEDS REPLACING.

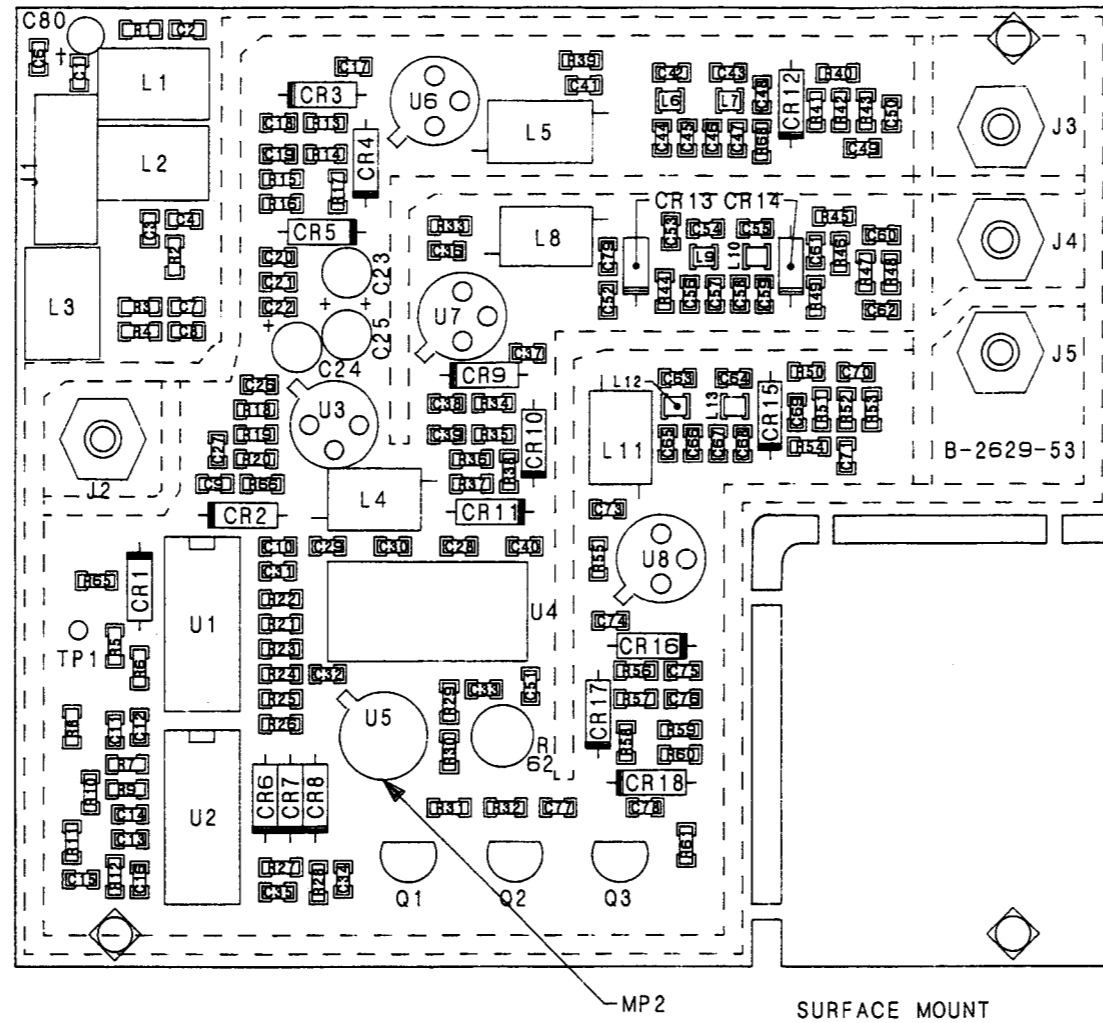
HP Part Number 70310-60004
A4 Distribution Amplifier "A"

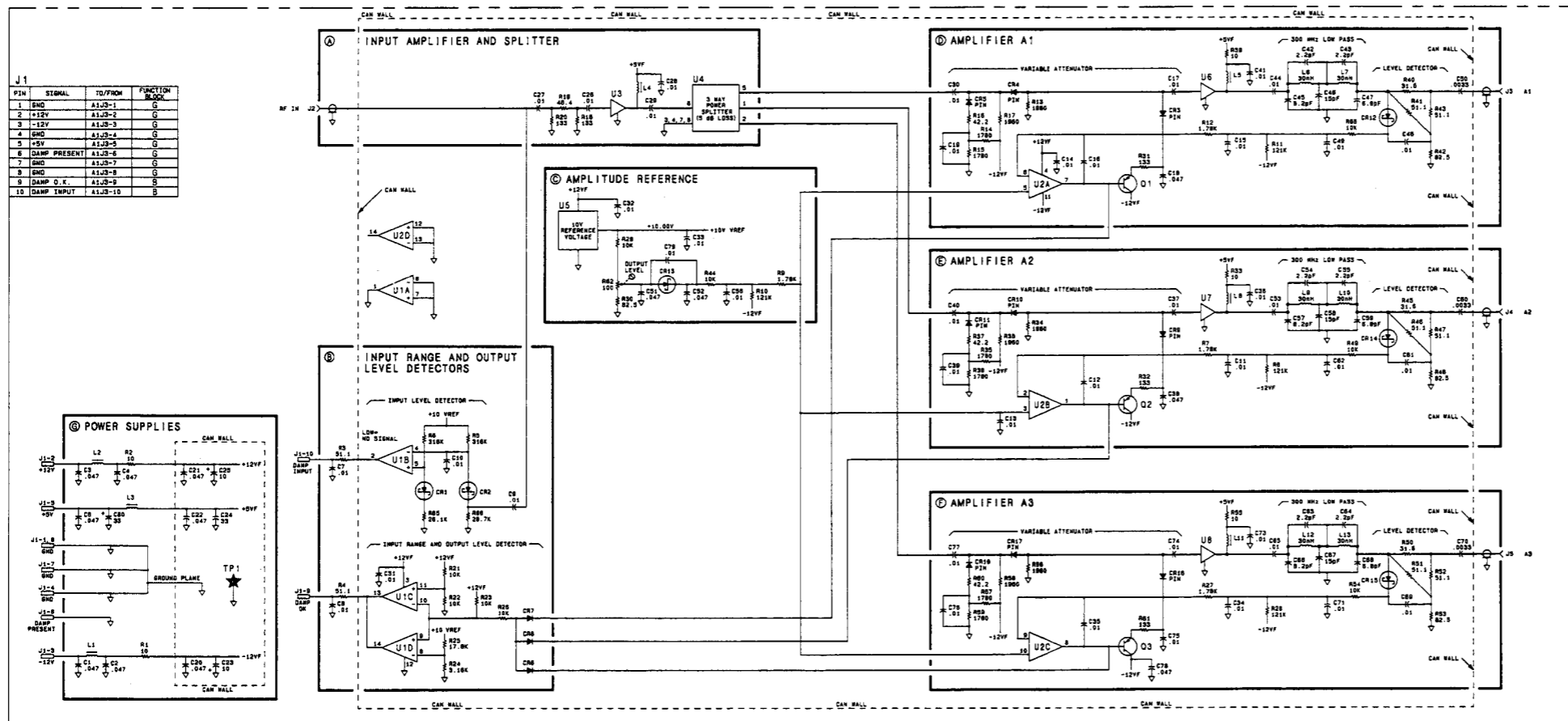
Reference Designation	HP Part Number	C D	Qty	Description	Mfr Code	Mfr Part Number
A4J3	1250-0257	1		CONNECTOR-RF SMB M PC 50-OHM	28480	1250-0257
A4J4	1250-0257	1		CONNECTOR-RF SMB M PC 50-OHM	28480	1250-0257
A4J5	1250-0257	1		CONNECTOR-RF SMB M PC 50-OHM	28480	1250-0257
A4L1	9140-0736	6	3	INDUCTOR 200UH .4DX.3LG	28480	9140-0736
A4L2	9140-0736	6		INDUCTOR 200UH .4DX.3LG	28480	9140-0736
A4L3	9140-0736	6		INDUCTOR 200UH .4DX.3LG	28480	9140-0736
A4L4	9170-1276	4	4	CORE-FERRITE WIDE-BAND CHOKE;Z:750 OHMS	01897	VK 200 10/3B
A4L5	9170-1276	4		CORE-FERRITE WIDE-BAND CHOKE;Z:750 OHMS	01897	VK 200 10/3B
A4L6	9140-1152	2	6	INDUCTOR 30NH 20% .095W-INX.11LG-IN Q=35	02113	1008CT-300
A4L7	9140-1152	2		INDUCTOR 30NH 20% .095W-INX.11LG-IN Q=35	02113	1008CT-300
A4L8	9170-1276	4		CORE-FERRITE WIDE-BAND CHOKE;Z:750 OHMS	01897	VK 200 10/3B
A4L9	9140-1152	2		INDUCTOR 30NH 20% .095W-INX.11LG-IN Q=35	02113	1008CT-300
A4L10	9140-1152	2		INDUCTOR 30NH 20% .095W-INX.11LG-IN Q=35	02113	1008CT-300
A4L11	9170-1276	4		CORE-FERRITE WIDE-BAND CHOKE;Z:750 OHMS	01897	VK 200 10/3B
A4L12	9140-1152	2		INDUCTOR 30NH 20% .095W-INX.11LG-IN Q=35	02113	1008CT-300
A4L13	9140-1152	2		INDUCTOR 30NH 20% .095W-INX.11LG-IN Q=35	02113	1008CT-300
A4MP2	1200-0173	5	1	INSULATOR-XSTR DAP-GL	28480	1200-0173
A4Q1	1853-0036	2	3	TRANSISTOR PNP SI PD=310MW FT=250MHZ	27014	2N3906
A4Q2	1853-0036	2		TRANSISTOR PNP SI PD=310MW FT=250MHZ	27014	2N3906
A4Q3	1853-0036	2		TRANSISTOR PNP SI PD=310MW FT=250MHZ	27014	2N3906
A4R1	0699-1344	8	5	RESISTOR 10 1% .125W F TC=0+-100	28480	0699-1344
A4R2	0699-1344	8		RESISTOR 10 1% .125W F TC=0+-100	28480	0699-1344
A4R3	0699-1361	9	8	RESISTOR 51.1 1% .125W F TC=0+-100	28480	0699-1361
A4R4	0699-1361	9		RESISTOR 51.1 1% .125W F TC=0+-100	28480	0699-1361
A4R5	0699-1448	3	2	RESISTOR 316K 1% .125W F TC=0+-100	28480	0699-1448
A4R6	0699-1448	3		RESISTOR 316K 1% .125W F TC=0+-100	28480	0699-1448
A4R7	0699-1374	4	10	RESISTOR 1.78K 1% .125W F TC=0+-100	28480	0699-1374
A4R8	0699-1440	5	4	RESISTOR 121K 1% .125W F TC=0+-100	28480	0699-1440
A4R9	0699-1374	4		RESISTOR 1.78K 1% .125W F TC=0+-100	28480	0699-1374
A4R10	0699-1440	5		RESISTOR 121K 1% .125W F TC=0+-100	28480	0699-1440
A4R11	0699-1440	5		RESISTOR 121K 1% .125W F TC=0+-100	28480	0699-1440
A4R12	0699-1374	4		RESISTOR 1.78K 1% .125W F TC=0+-100	28480	0699-1374
A4R13	0699-1375	5	6	RESISTOR 1.96K 1% .125W F TC=0+-100	28480	0699-1375
A4R14	0699-1374	4		RESISTOR 1.78K 1% .125W F TC=0+-100	28480	0699-1374
A4R15	0699-1374	4		RESISTOR 1.78K 1% .125W F TC=0+-100	28480	0699-1374
A4R16	0699-1359	5	3	RESISTOR 42.2 1% .125W F TC=0+-100	28480	0699-1359
A4R17	0699-1375	5		RESISTOR 1.96K 1% .125W F TC=0+-100	28480	0699-1375
A4R18	0699-1418	7	5	RESISTOR 133 1% .125W F TC=0+-100	28480	0699-1418
A4R19	0699-1360	8	1	RESISTOR 46.4 1% .125W F TC=0+-100	28480	0699-1360
A4R20	0699-1418	7		RESISTOR 133 1% .125W F TC=0+-100	28480	0699-1418
A4R21	0699-1391	5	9	RESISTOR 10K 1% .125W F TC=0+-100	28480	0699-1391
A4R22	0699-1391	5		RESISTOR 10K 1% .125W F TC=0+-100	28480	0699-1391
A4R23	0699-1391	5		RESISTOR 10K 1% .125W F TC=0+-100	28480	0699-1391
A4R24	0699-1380	2	1	RESISTOR 3.16K 1% .125W F TC=0+-100	28480	0699-1380
A4R25	0699-1396	0	1	RESISTOR 17.8K 1% .125W F TC=0+-100	28480	0699-1396
A4R26	0699-1391	5		RESISTOR 10K 1% .125W F TC=0+-100	28480	0699-1391
A4R27	0699-1374	4		RESISTOR 1.78K 1% .125W F TC=0+-100	28480	0699-1374
A4R28	0699-1440	5		RESISTOR 121K 1% .125W F TC=0+-100	28480	0699-1440
A4R29	0699-1391	5		RESISTOR 10K 1% .125W F TC=0+-100	28480	0699-1391
A4R30	0699-1366	4	4	RESISTOR 82.5 1% .125W F TC=0+-100	28480	0699-1366

**Indicates factory-selected value*

HP Part Number 70310-60004
A4 Distribution Amplifier "A"

Reference Designation	HP Part Number	C D	Qty	Description	Mfr Code	Mfr Part Number
A4R31	0699-1418	7		RESISTOR 133 1% .125W F TC=0+-100	28480	0699-1418
A4R32	0699-1418	7		RESISTOR 133 1% .125W F TC=0+-100	28480	0699-1418
A4R33	0699-1344	8		RESISTOR 10 1% .125W F TC=0+-100	28480	0699-1344
A4R34	0699-1375	5		RESISTOR 1.96K 1% .125W F TC=0+-100	28480	0699-1375
A4R35	0699-1374	4		RESISTOR 1.78K 1% .125W F TC=0+-100	28480	0699-1374
A4R36	0699-1374	4		RESISTOR 1.78K 1% .125W F TC=0+-100	28480	0699-1374
A4R37	0699-1359	5		RESISTOR 42.2 1% .125W F TC=0+-100	28480	0699-1359
A4R38	0699-1375	5		RESISTOR 1.96K 1% .125W F TC=0+-100	28480	0699-1375
A4R39	0699-1344	8		RESISTOR 10 1% .125W F TC=0+-100	28480	0699-1344
A4R40	0699-1356	2	3	RESISTOR 31.6 1% .125W F TC=0+-100	28480	0699-1356
A4R41	0699-1361	9		RESISTOR 51.1 1% .125W F TC=0+-100	28480	0699-1361
A4R42	0699-1366	4		RESISTOR 82.5 1% .125W F TC=0+-100	28480	0699-1366
A4R43	0699-1361	9		RESISTOR 51.1 1% .125W F TC=0+-100	28480	0699-1361
A4R44	0699-1391	5		RESISTOR 10K 1% .125W F TC=0+-100	28480	0699-1391
A4R45	0699-1356	2		RESISTOR 31.6 1% .125W F TC=0+-100	28480	0699-1356
A4R46	0699-1361	9		RESISTOR 51.1 1% .125W F TC=0+-100	28480	0699-1361
A4R47	0699-1361	9		RESISTOR 51.1 1% .125W F TC=0+-100	28480	0699-1361
A4R48	0699-1366	4		RESISTOR 82.5 1% .125W F TC=0+-100	28480	0699-1366
A4R49	0699-1391	5		RESISTOR 10K 1% .125W F TC=0+-100	28480	0699-1391
A4R50	0699-1356	2		RESISTOR 31.6 1% .125W F TC=0+-100	28480	0699-1356
A4R51	0699-1361	9		RESISTOR 51.1 1% .125W F TC=0+-100	28480	0699-1361
A4R52	0699-1361	9		RESISTOR 51.1 1% .125W F TC=0+-100	28480	0699-1361
A4R53	0699-1366	4		RESISTOR 82.5 1% .125W F TC=0+-100	28480	0699-1366
A4R54	0699-1391	5		RESISTOR 10K 1% .125W F TC=0+-100	28480	0699-1391
A4R55	0699-1344	8		RESISTOR 10 1% .125W F TC=0+-100	28480	0699-1344
A4R56	0699-1375	5		RESISTOR 1.96K 1% .125W F TC=0+-100	28480	0699-1375
A4R57	0699-1374	4		RESISTOR 1.78K 1% .125W F TC=0+-100	28480	0699-1374
A4R58	0699-1375	5		RESISTOR 1.96K 1% .125W F TC=0+-100	28480	0699-1375
A4R59	0699-1374	4		RESISTOR 1.78K 1% .125W F TC=0+-100	28480	0699-1374
A4R60	0699-1359	5		RESISTOR 42.2 1% .125W F TC=0+-100	28480	0699-1359
A4R61	0699-1418	7		RESISTOR 133 1% .125W F TC=0+-100	28480	0699-1418
A4R62	2100-4195	8	1	RESISTOR-TRMR 100 10% C TOP-ADJ 1-TRN	28480	2100-4195
A4R65	0699-1400	7	1	RESISTOR 26.1K 1% .125W F TC=0+-100	28480	0699-1400
A4R66	0699-1401	8	1	RESISTOR 28.7K 1% .125W F TC=0+-100	28480	0699-1401
A4R68	0699-1391	5		RESISTOR 10K 1% .125W F TC=0+-100	28480	0699-1391
A4TP1	0360-0077	5	1	TERMINAL-STUD SGL-TUR SWGFRM-MTG	28480	0360-0077
A4U1	1826-0138	8	1	IC COMPARATOR GP QUAD 14-DIP-P PKG	01295	LM339N
A4U2	1826-1222	3	1	IC OP AMP H-SLEW-RATE QUAD 14-DIP-C PKG	28480	1826-1222
A4U3	1813-0213	3	4	IC WIDEBAND AMPL TO-39 PKG	04713	MWA130
A4U4	0955-0294	9	1	U-WAVE POWER SPLITTER 310 MHZ MAX	28480	0955-0294
A4U5	1826-0742	0	1	IC V RGLTR-V-REF-FXD 10V TO-5 PKG	28480	1826-0742
A4U6	1813-0213	3		IC WIDEBAND AMPL TO-39 PKG	04713	MWA130
A4U7	1813-0213	3		IC WIDEBAND AMPL TO-39 PKG	04713	MWA130
A4U8	1813-0213	3		IC WIDEBAND AMPL TO-39 PKG	04713	MWA130





J1	PIN	SIGNAL	ID/FROM	FUNCTION
	1	RF IN	A1J2-1	G
	2	+12V	A1J2-2	G
	3	-12V	A1J2-3	G
	4	RF IN	A1J2-4	G
	5	+5V	A1J2-5	G
	6	DAMP PRESENT	A1J2-6	G
	7	RF IN	A1J2-7	G
	8	RF IN	A1J2-8	G
	9	DAMP O.K.	A1J2-9	G
	10	DAMP INPUT	A1J2-10	B

- NOTES:
1. REFERENCE DESIGNATIONS WITHIN THIS ASSEMBLY ARE ASSIGNED. FOR COMPLETE REFERENCE DESIGNATION, PREFIX ABBREVIATION WITH ASSEMBLY DESIGNATION.
 2. UNLESS OTHERWISE INDICATED: RESISTANCE IS IN OHMS (Ω) CAPACITANCE IS IN MICROFARADS (μF) INDUCTANCE IS IN MICROROHMS (μH)
 3. UNLESS OTHERWISE INDICATED, SIGNALS ENTER AT LEFT SIDE AND EXIT AT RIGHT SIDE OF FUNCTION BLOCKS.
 4. ABBREVIATION TABLE:

ABBREVIATION	DESCRIPTION

Component-Level Information Packet for 70310-60034

A5 Front Panel



**HP Part No. 70310-90067
Printed in USA December 1994**

Notice. The information contained in this document is subject to change without notice.

Hewlett-Packard makes no warranty of any kind with regard to this material, including, but not limited to, the implied warranties of merchantability and fitness for a particular purpose. Hewlett-Packard shall not be liable for errors contained herein or for incidental or consequential damages in connection with the furnishing, performance, or use of this material.

©Copyright Hewlett-Packard Company 1989, 1994

All Rights Reserved. Reproduction, adaptation, or translation without prior written permission is prohibited, except as allowed under the copyright laws.

HP Part Number 70310-60034
A5 Front Panel Board Assembly

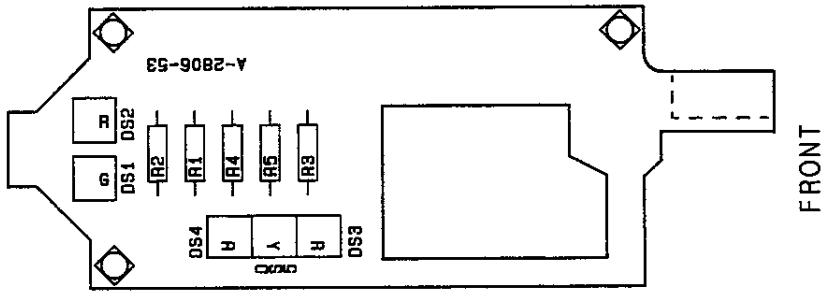
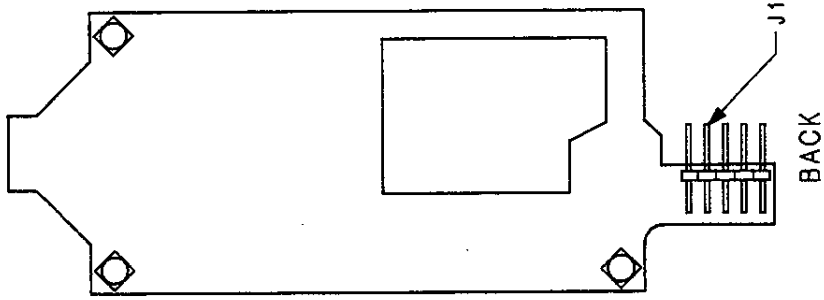
Reference Designation	HP Part Number	C D	Qty	Description	Mfr Code	Mfr Part Number
A5	70310-60034	4	1	BD ASSY-FRONT PANEL	28480	70310-60034
A5DS1	1990-1131	0	1	LED-LAMP LUM-INT=560UCD IF=20MA-MAX	2M627	LD-101MG
A5DS2	1990-1129	6	3	LED-LAMP LUM-INT=900UCD BVR=3V	2M627	LD-101UR
A5DS3	1990-1129	6		LED-LAMP LUM-INT=900UCD BVR=3V	2M627	LD-101UR
A5DS4	1990-1129	6		LED-LAMP LUM-INT=900UCD BVR=3V	2M627	LD-101UR
A5DS5	1990-1130	9	1	LED-LAMP LUM-INT=1.4MCD IF=25MA-MAX	2M627	LD-101YY
A5J1	1251-8843	9	1	CONN-POST TYPE .100-PIN-SPCG 10-CONT	28480	1251-8843
A5R1	0698-0082	7	2	RESISTOR 464 1% .125W F TC=0+-100	24546	CT4-1/8-T0-4640
A5R2	0757-0280	3	3	RESISTOR 1K 1% .125W F TC=0+-100	24546	CT4-1/8-T0-1001
A5R3	0757-0280	3		RESISTOR 1K 1% .125W F TC=0+-100	24546	CT4-1/8-T0-1001
A5R4	0757-0280	3		RESISTOR 1K 1% .125W F TC=0+-100	24546	CT4-1/8-T0-1001
A5R5	0698-0082	7		RESISTOR 464 1% .125W F TC=0+-100	24546	CT4-1/8-T0-4640

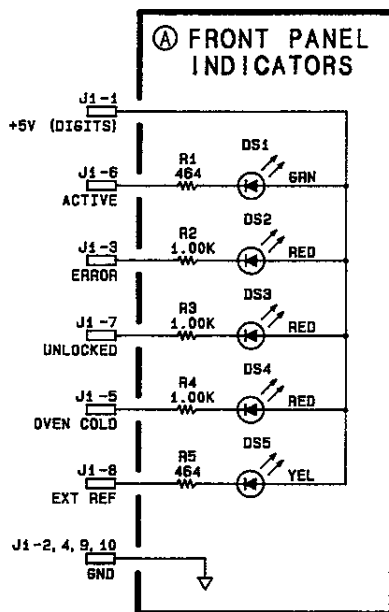
**Indicates factory-selected value*

1

2

3





J1

PIN	SIGNAL	TO/FROM	FUNCTION BLOCK
1	+5V (DIGITS)	A2J4-1	A
2	GND	A2J4-2	A
3	ERROR	A2J4-3	A
4	GND	A2J4-4	A
5	OVEN COLD	A2J4-5	A
6	ACTIVE	A2J4-6	A
7	UNLOCKED	A2J4-7	A
8	EXT REF	A2J4-8	A
9	GND	A2J4-9	A
10	GND	A2J4-10	A

NOTES:

1. REFERENCE DESIGNATORS WITHIN THIS ASSEMBLY ARE ABBREVIATED. FOR COMPLETE REFERENCE DESIGNATION, PREFIX ABBREVIATION WITH ASSEMBLY DESIGNATION.
2. UNLESS OTHERWISE INDICATED: RESISTANCE IS IN OHMS (Ω) CAPACITANCE IS IN MICROFARADS (μF) INDUCTANCE IS IN MICROMHENRIES (μH)
3. UNLESS OTHERWISE INDICATED: SIGNALS ENTER AT LEFT SIDE AND EXIT AT RIGHT SIDE OF FUNCTION BLOCKS.
4. MNEMONIC TABLE:

MNEMONIC	DESCRIPTION

Component-Level Information Packet for 70310-60005

A5 Front Panel



**HP Part No. 70310-90066
Printed in USA December 1994**

Notice. The information contained in this document is subject to change without notice.

Hewlett-Packard makes no warranty of any kind with regard to this material, including, but not limited to, the implied warranties of merchantability and fitness for a particular purpose. Hewlett-Packard shall not be liable for errors contained herein or for incidental or consequential damages in connection with the furnishing, performance, or use of this material.

©Copyright Hewlett-Packard Company 1989, 1994

All Rights Reserved. Reproduction, adaptation, or translation without prior written permission is prohibited, except as allowed under the copyright laws.

HP Part Number 70310-60005
A5 Front Panel Board Assembly

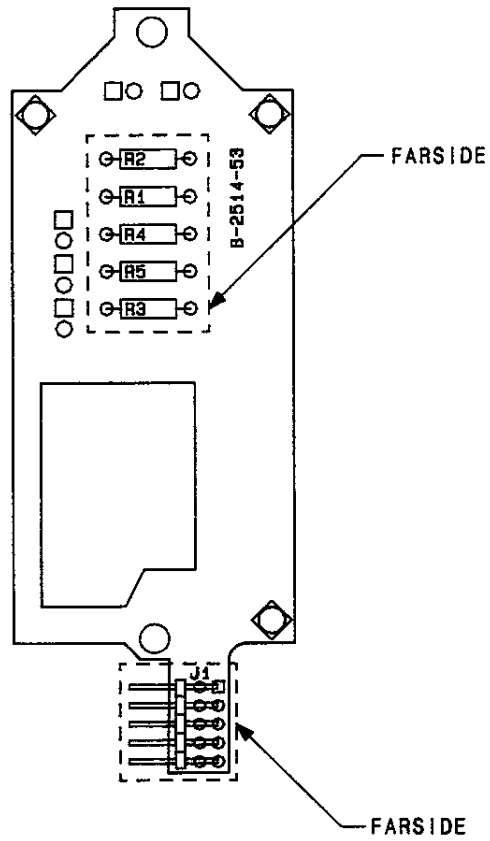
Reference Designation	HP Part Number	C D	Qty	Description	Mfr Code	Mfr Part Number
A5	70310-60005	9	1	BD ASSY-FRONT PANEL	28480	70310-60005
A5DS1	1990-1018	2	1	LED-LAMP GREEN	28480	1990-1018
A5DS2	1990-1016	0	3	LED-LAMP RED	28480	1990-1016
A5DS3	1990-1016	0		LED-LAMP RED	28480	1990-1016
A5DS4	1990-1016	0		LED-LAMP RED	28480	1990-1016
A5DS5	1990-1017	1	1	LED-LAMP YELLOW	28480	1990-1017
A5J1	1251-8843	9	1	CONN-POST TYPE .100-PIN-SPCG 10-CONT	28480	1251-8843
A5R1	0698-7226	5	2	RESISTOR 383 1% .05W F TC=0+-100	24546	C3-1/8-T0-383R-F
A5R2	0698-7239	0	3	RESISTOR 1.33K 1% .05W F TC=0+-100	24546	C3-1/8-T0-1331-F
A5R3	0698-7239	0		RESISTOR 1.33K 1% .05W F TC=0+-100	24546	C3-1/8-T0-1331-F
A5R4	0698-7239	0		RESISTOR 1.33K 1% .05W F TC=0+-100	24546	C3-1/8-T0-1331-F
A5R5	0698-7226	5		RESISTOR 383 1% .05W F TC=0+-100	24546	C3-1/8-T0-383R-F

**Indicates factory-selected value*

1

2

3

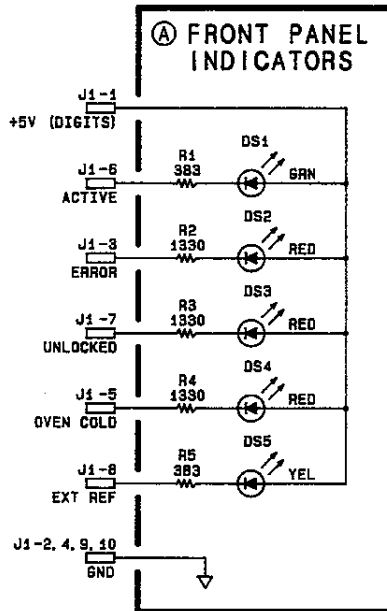


FRONT PANEL BOARD ASSEMBLY, COMPONENT LOCATIONS: 70310-60005

1

2

3



J1

PIN	SIGNAL	TO/FROM	FUNCTION BLOCK
1	+5V (DIGITS)	A2J4-1	A
2	GND	A2J4-2	A
3	ERROR	A2J4-3	A
4	GND	A2J4-4	A
5	OVEN COLD	A2J4-5	A
6	ACTIVE	A2J4-6	A
7	UNLOCKED	A2J4-7	A
8	EXT REF	A2J4-8	A
9	GND	A2J4-9	A
10	GND	A2J4-10	A

NOTES:

1. REFERENCE DESIGNATORS WITHIN THIS ASSEMBLY ARE ABBREVIATED. FOR COMPLETE REFERENCE DESIGNATION, PREFIX ABBREVIATION WITH ASSEMBLY DESIGNATION.
2. UNLESS OTHERWISE INDICATED: RESISTANCE IS IN OHMS (Ω) CAPACITANCE IS IN MICROFARADS (μF) INDUCTANCE IS IN MICROHENRIES (μH)
3. UNLESS OTHERWISE INDICATED: SIGNALS ENTER AT LEFT SIDE AND EXIT AT RIGHT SIDE OF FUNCTION BLOCKS.
4. MNEMONIC TABLE:

MNEMONIC	DESCRIPTION

1

2

3